

F901-21

Round 6" ABS Rain Shower Head

artos®

INSTALLATION GUIDE



F901-21

Round 6" ABS Rain Shower Head

artos®

OPERATING SPECIFICATIONS

OPERATING PRESSURE

Minimum: 15psi

Maximum: 75psi

Recommended: 20psi-70psi

Above 90psi it may be necessary to install a pressure reducer.



FLOW RATE

1.8 USGPM

CONNECTION TYPE

1/2" Female NPT

MATERIAL

ABS Plastic and Silicon

REQUIREMENTS

This unit requires a Control and Shower Arm

FEATURES

Easy clean anti-scale silicon nozzles

STANDARDS

To view all standards please visit product approvals in our learning hub at artos.us.com

All technical specifications, product details, and pricing are subject to change without prior notice. Artos makes every effort to ensure accuracy; however, errors or omissions may occur. It is the responsibility of the installer, designer, or purchaser to verify all critical dimensions, installation requirements, and compliance with applicable codes prior to use.

Artos assumes no liability for damages, losses, or injuries resulting from the use of this documentation or from product installation, operation, or maintenance performed outside of Artos instructions and applicable codes. Product warranties are limited to those expressly stated by Artos. Please refer to official warranty documentation for complete terms and conditions.

All drawings, manuals, and specifications are the property of Artos and may not be reproduced, distributed, or altered without prior written permission.

F901-21

Round 6" ABS Rain Shower Head

artos®

INDEX

INDEX

Product Dimensions.....pg:4

Round 6" ABS Rain Shower Head Installation F901-21.....pg:5

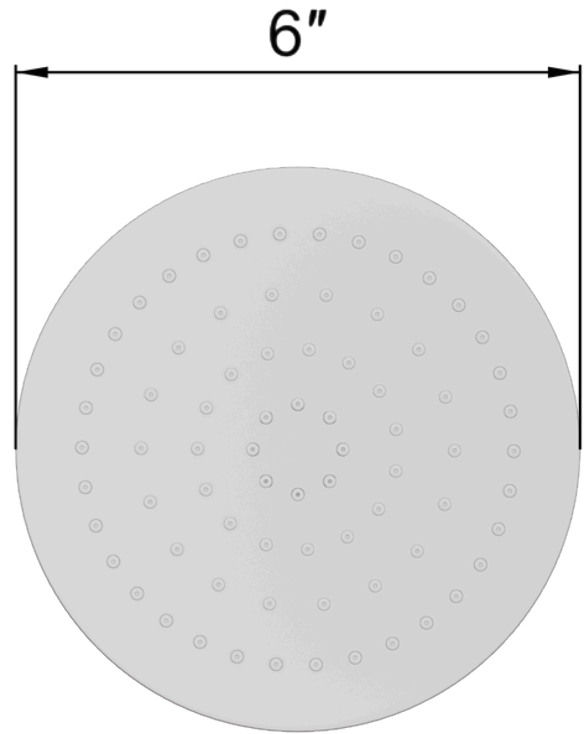
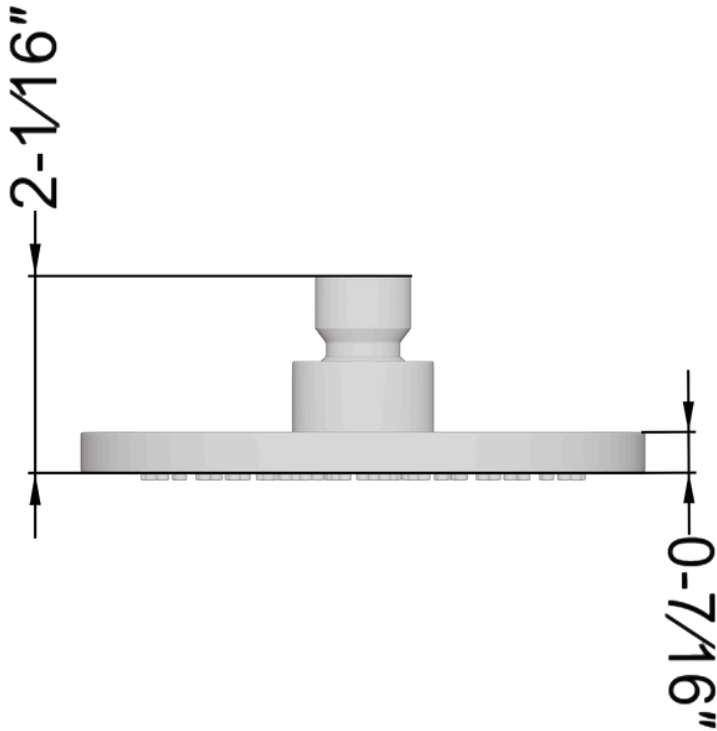
Parts Breakdown F901-21.....pg:6

F901-21

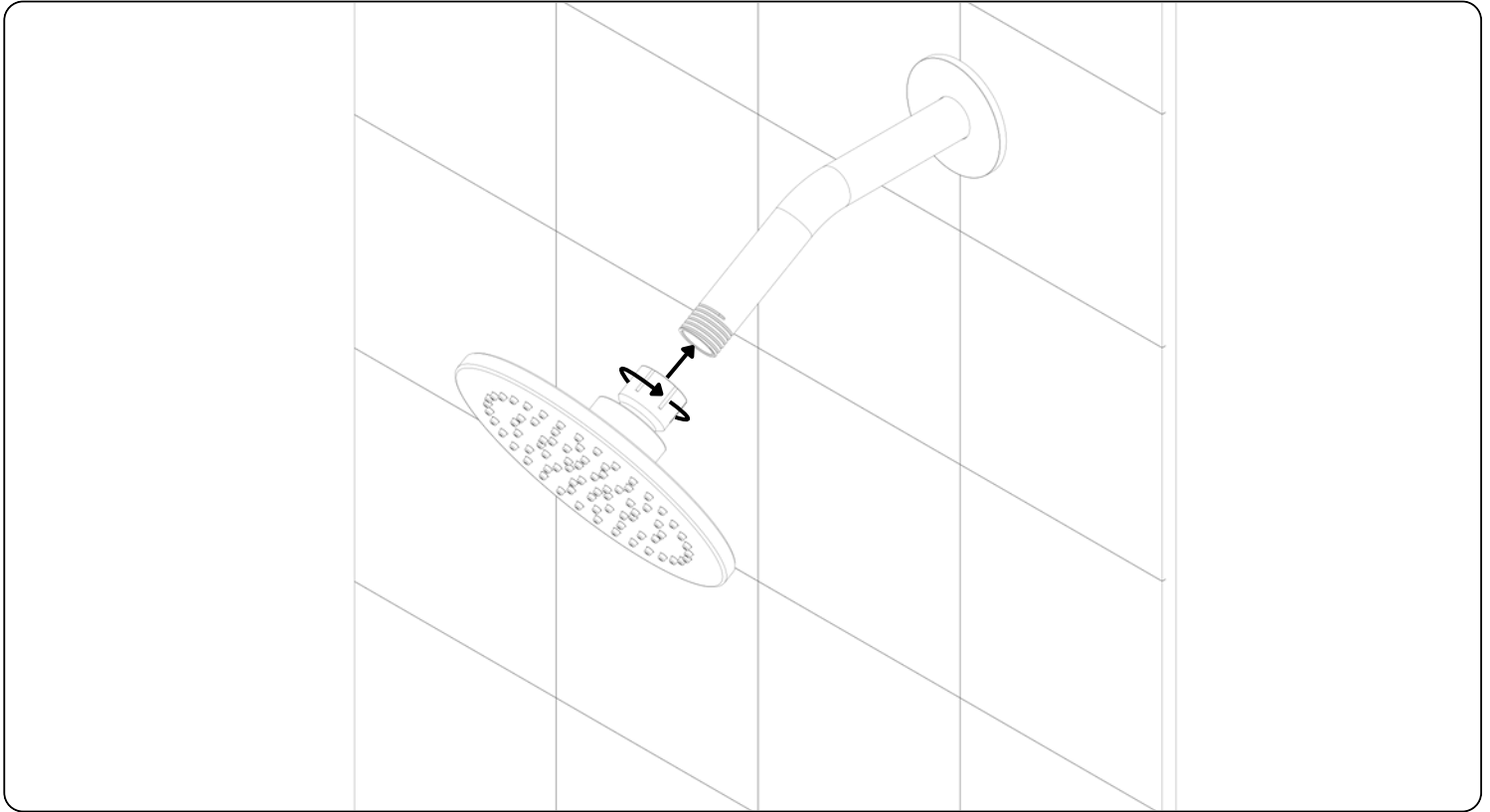
Round 6" ABS Rain Shower Head

artos®

PRODUCT DIMENSIONS



STEP 1



Align the threaded inlet of the shower head with the taped shower arm threads and carefully begin threading the shower head **by hand**. Tighten until snug, ensuring the shower head is straight and properly oriented. If additional tightening is required, use a soft cloth or rubber-jawed wrench to prevent damage to the finish.

Once secured, turn on the water supply and check for leaks at the connection. If any leakage occurs, remove the shower head and check to swivel arm seal to assure it is in place. If any leak persists use plumber's tape (PTFE thread seal tape) on connection, and reinstall.

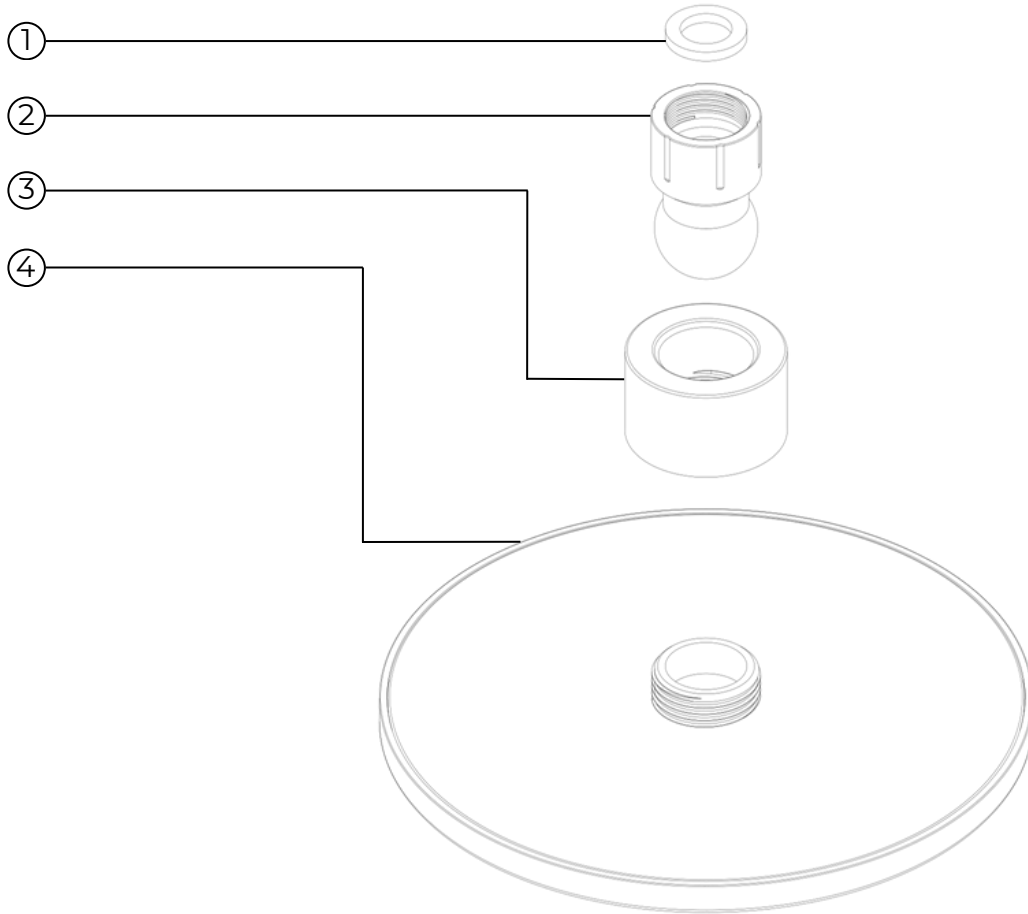
Compatibility: F901-21 is Compatible with all Artos 1/2 NPT threaded wall arms

F901-21

Round 6" ABS Rain Shower Head

artos®

PARTS BREAKDOWN



- ① SWIVEL ARM SEAL
- ② SWIVEL ARM

- ③ SWIVEL ARM SECURING NUT
- ④ SHOWER HEAD