

# artos<sup>®</sup>

F901-1

**INSTALLATION GUIDE**

8" shower rainhead rnd

BRUSHED NICKEL(BN)



CHROME(CH)



BLACK (BK)



# artos<sup>®</sup>

F901-1

## OPERATING SPECIFICATIONS

8" shower rainhead rnd



### FEATURES

Solid Brass

### OPERATING PRESSURE

Minimum: 15 psi

Maximum: 75 psi

Above 90psi it may be necessary to install a pressure reducer

### OPERATING TEMPERATURE

Maximum: 176°

### FLOW RATE

1.8 USGPM

### APPROVALS

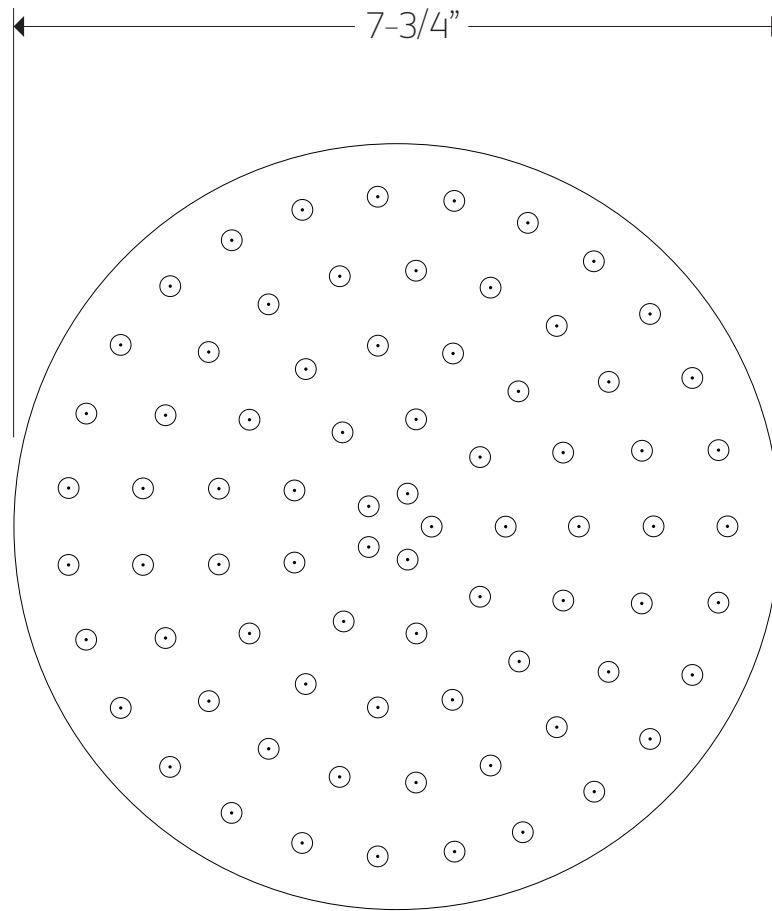
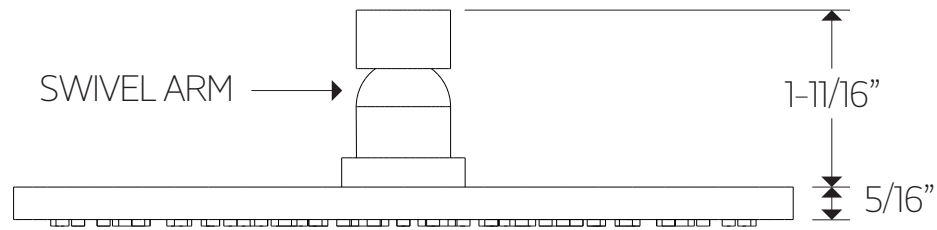


# artos<sup>®</sup>

F901-1

## PRODUCT DIMENSIONS

8" shower rainhead rnd



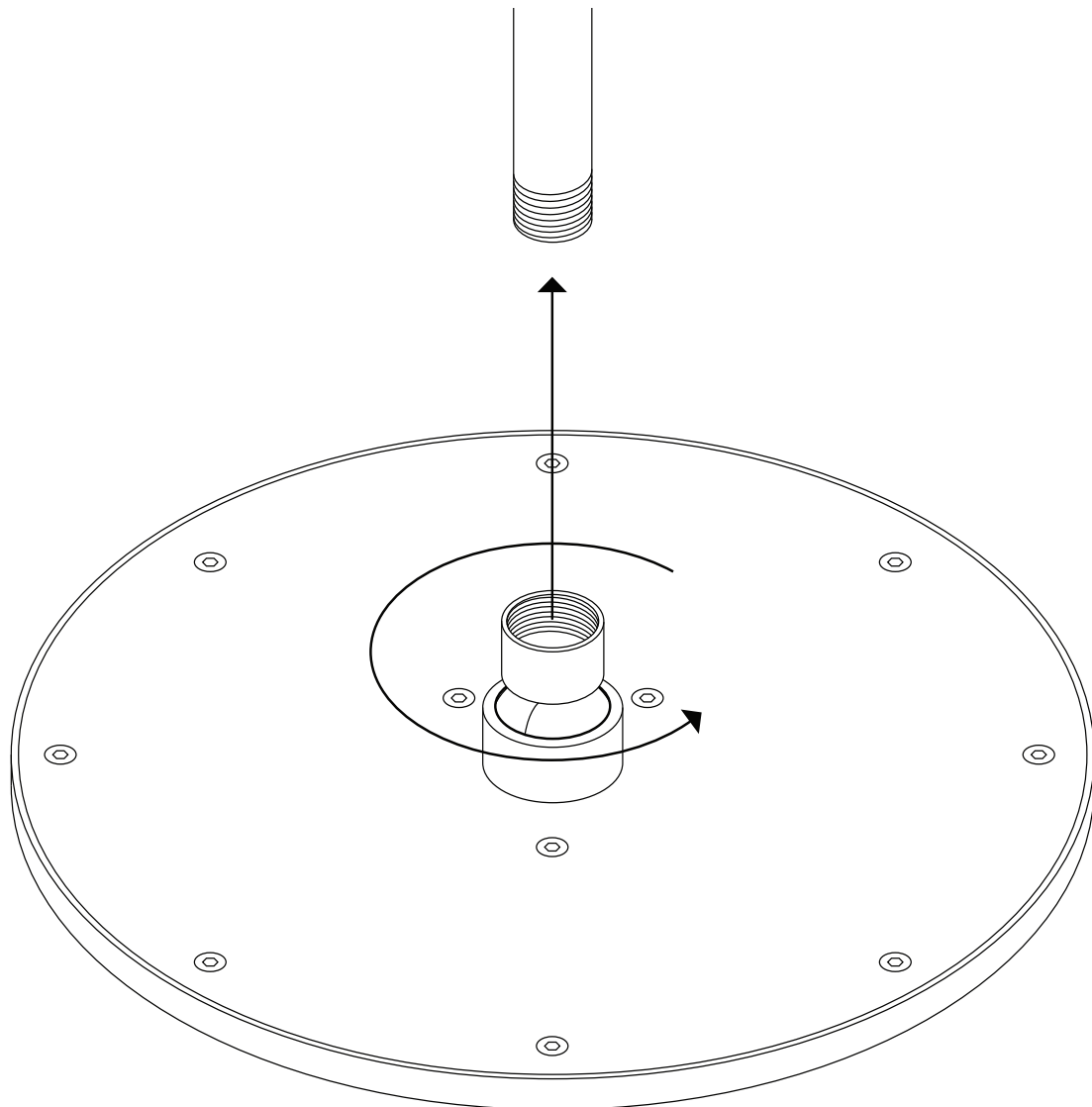
# artos<sup>®</sup>

F901-1

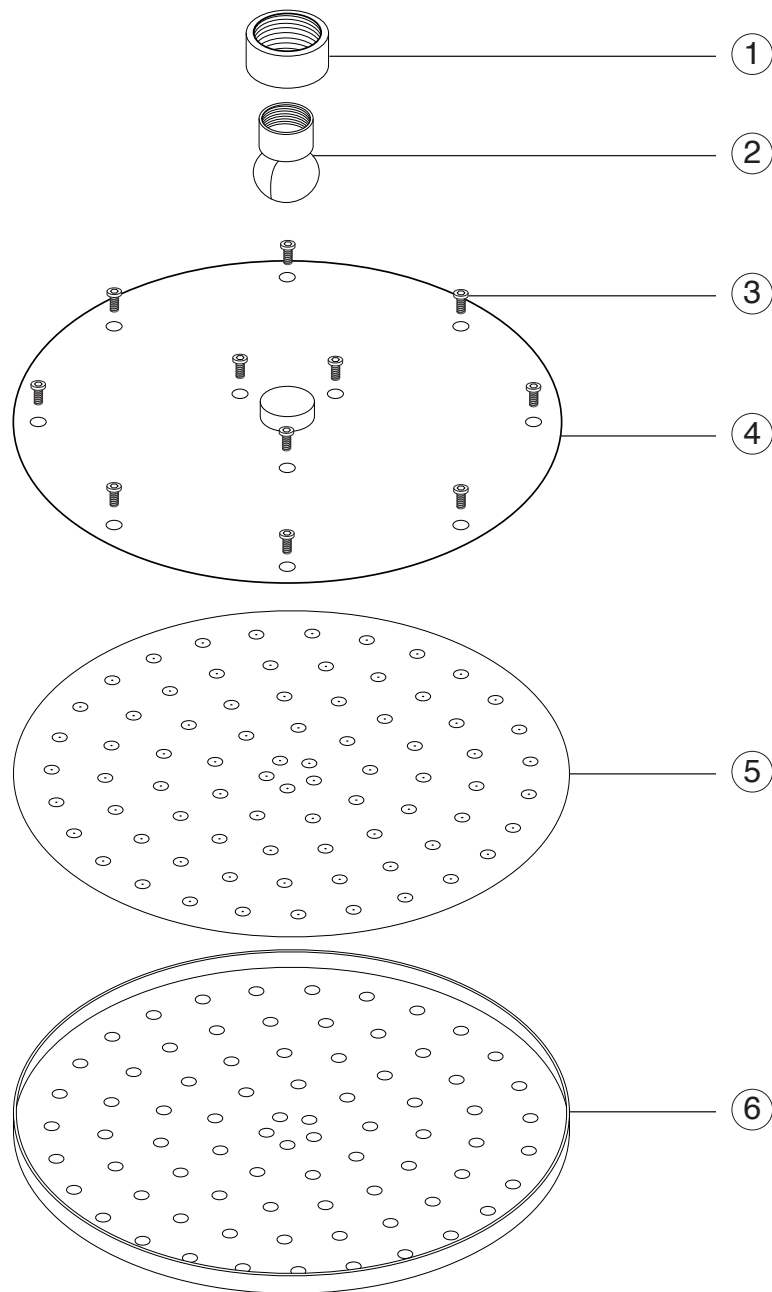
**INSTALLATION STEPS**

8" shower rainhead rnd

**STEP 1**



8" shower rainhead rnd



- ① SWIVEL ARM SECURING NUT
- ② SWIVEL ARM
- ③ SHOWER HEAD SCREWS
- ④ SHOWER HEAD TOP
- ⑤ RUBBER MATRIX
- ⑥ SHOWER HEAD BOTTOM