

artos[®]

F901-19

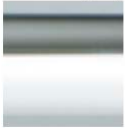
INSTALLATION GUIDE

6" shower rainhead squ

BRUSHED NICKEL(BN)



CHROME(CH)



BLACK(BK)



artos[®]

F901-19

OPERATING SPECIFICATIONS

6" shower rainhead squ



FEATURES

Solid Brass

OPERATING PRESSURE

Minimum: 15 psi

Maximum: 75 psi

Above 90psi it may be necessary to install a pressure reducer

OPERATING TEMPERATURE

Maximum: 176°

FLOW RATE

1.8 USGPM

APPROVALS

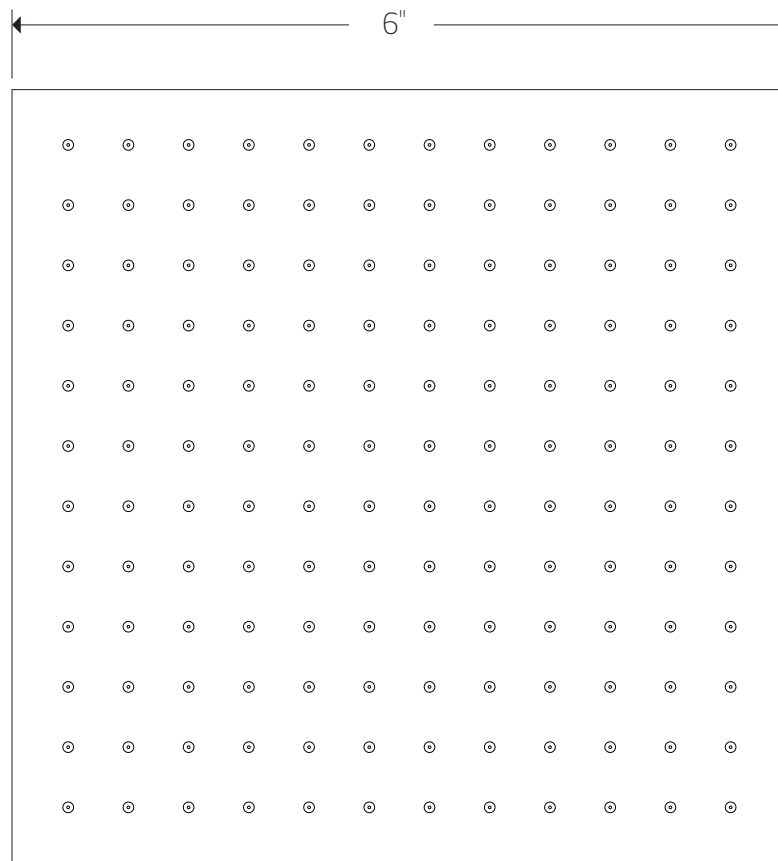
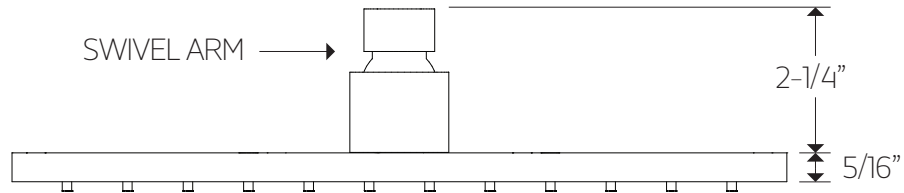


artos[®]

F901-19

PRODUCT DIMENSIONS

6" shower rainhead squ



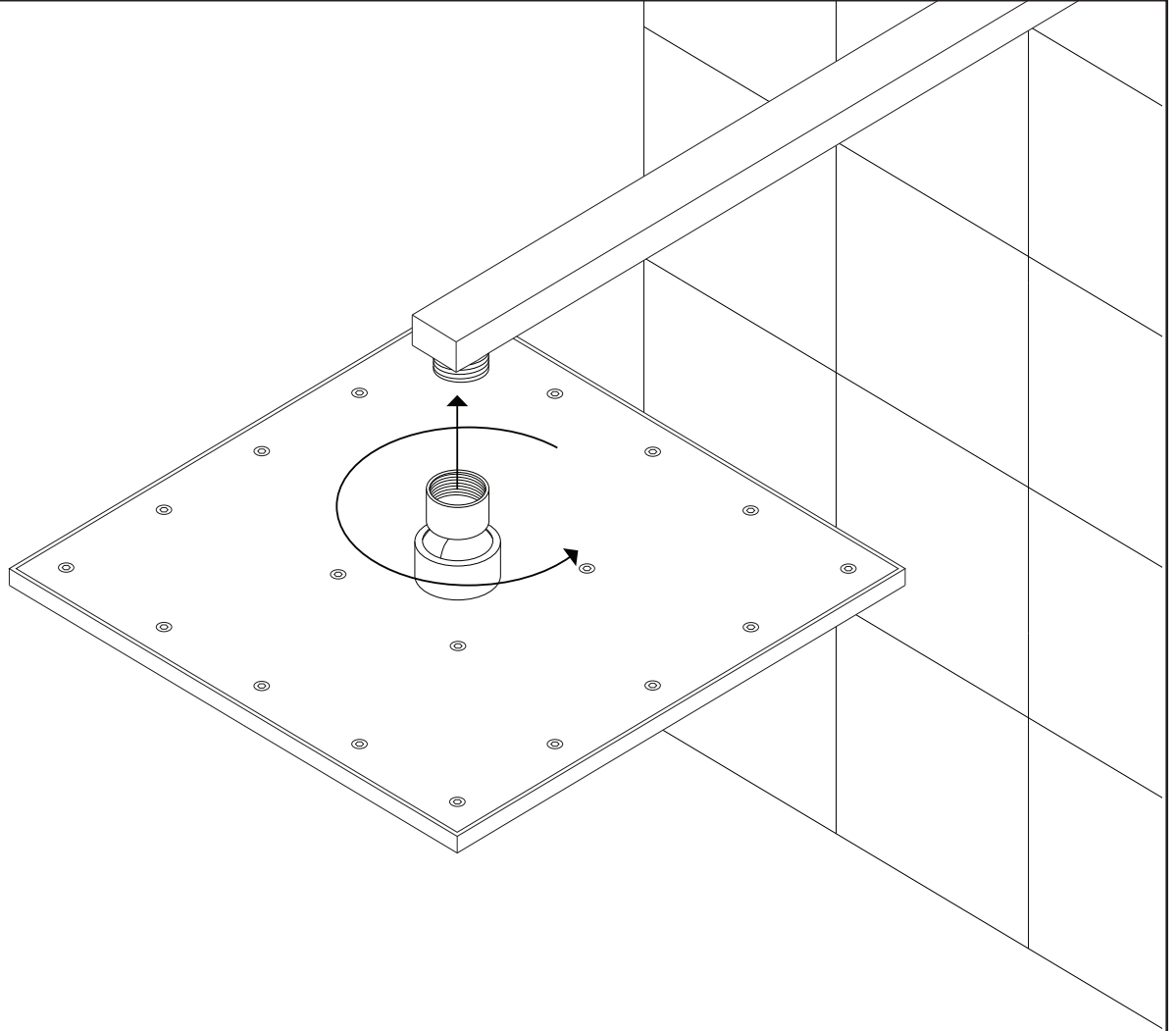
artos[®]

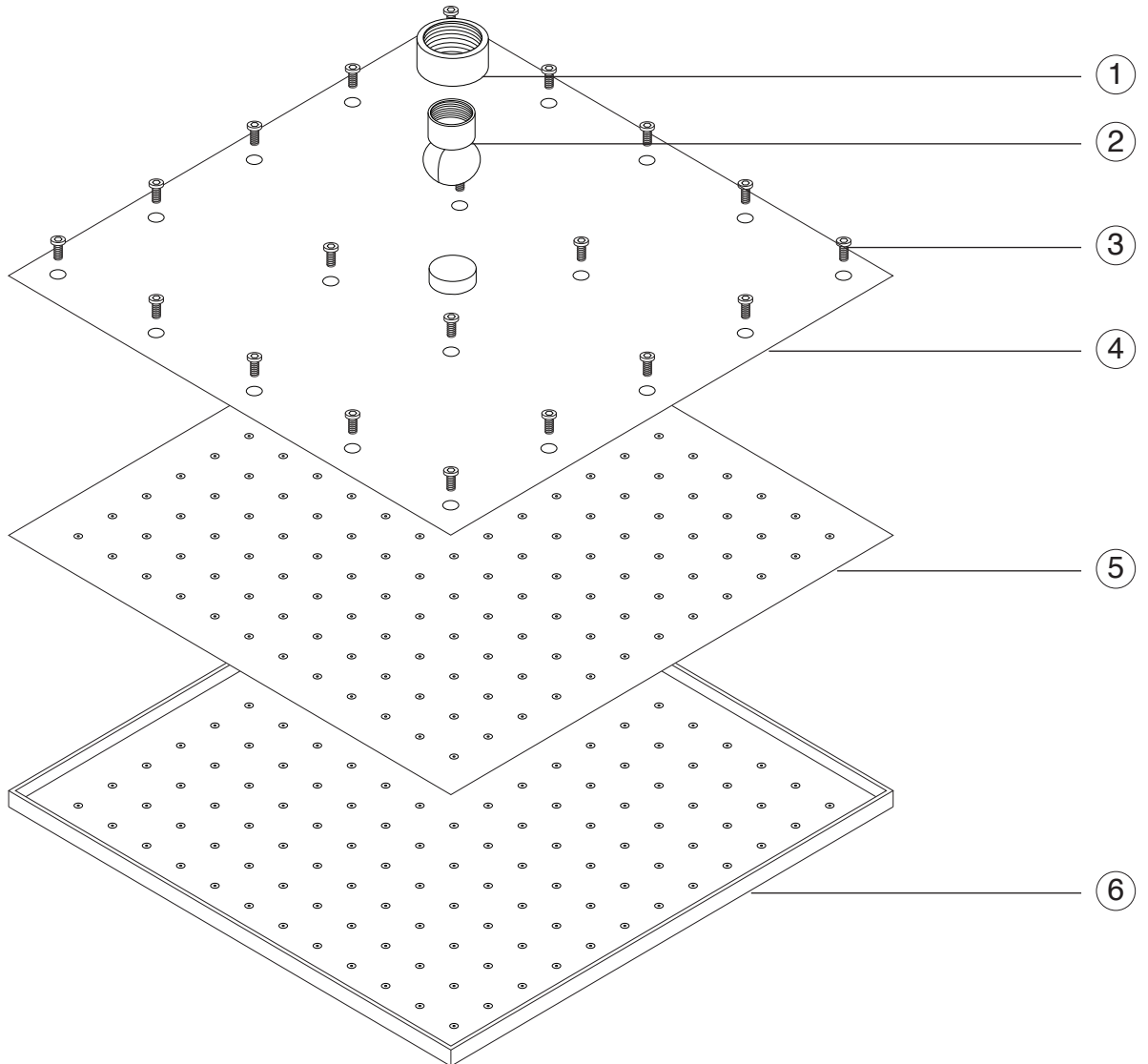
F901-19

INSTALLATION STEPS

6" shower rainhead squ

STEP 1





- ① SWIVEL ARM SECURING NUT
- ② SWIVEL ARM
- ③ SHOWER HEAD SCREWS
- ④ SHOWER HEAD TOP
- ⑤ RUBBER MATRIX
- ⑥ SHOWER HEAD BOTTOM