

# artos<sup>®</sup>

## F803-5TK

## INSTALLATION GUIDE

dual function shower head  
trim kit

BRUSHED NICKEL(BN)



CHROME(CH)



BLACK(BK)



# artos®

## F803-5TK

dual function shower head  
trim kit



## OPERATING SPECIFICATIONS

### FEATURES

Dual Function- Rainhead, Waterfall or both

### OPERATING PRESSURE

Minimum: 15 psi

Maximum: 75 psi

Above 90psi it may be necessary to install a pressure reducer

### OPERATING TEMPERATURE

Maximum: 176°

### INLET/OUTLET

1/2" Female NPT

### FLOW RATE

Rainhead: 1.8 GPM

Waterfall: 1.8 GPM

### REQUIREMENTS

This unit requires 2 inlet controls

### APPROVALS

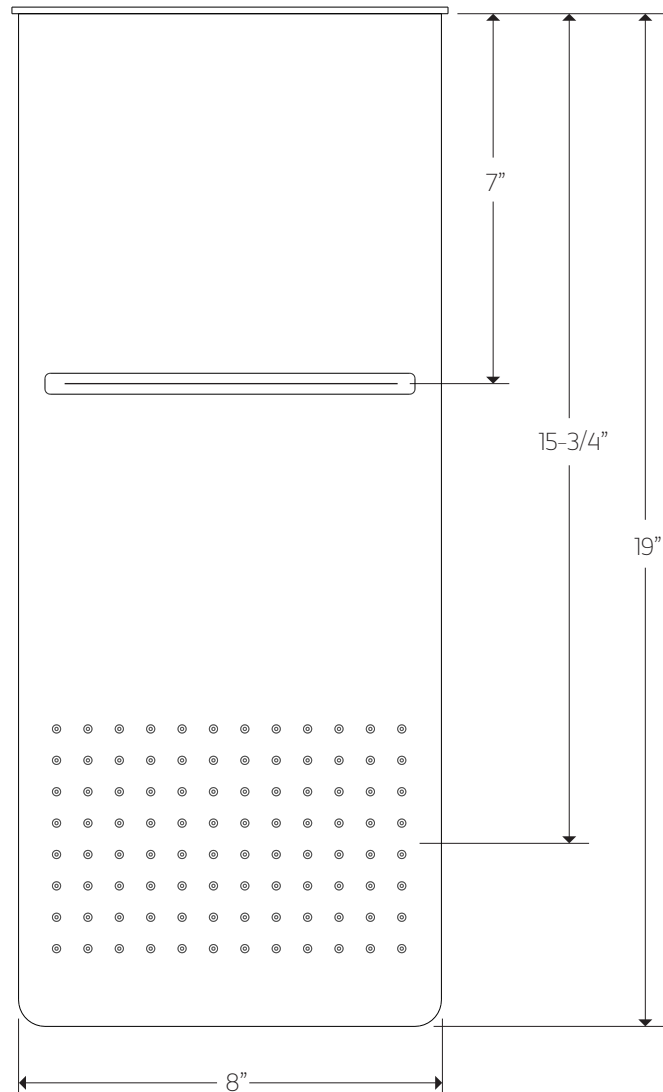
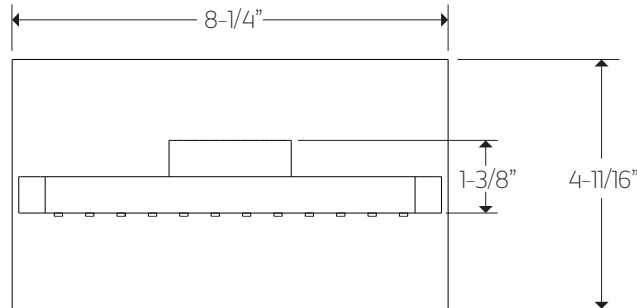


# artos<sup>®</sup>

## F803-5TK

## PRODUCT DIMENSIONS

dual function shower head  
trim kit

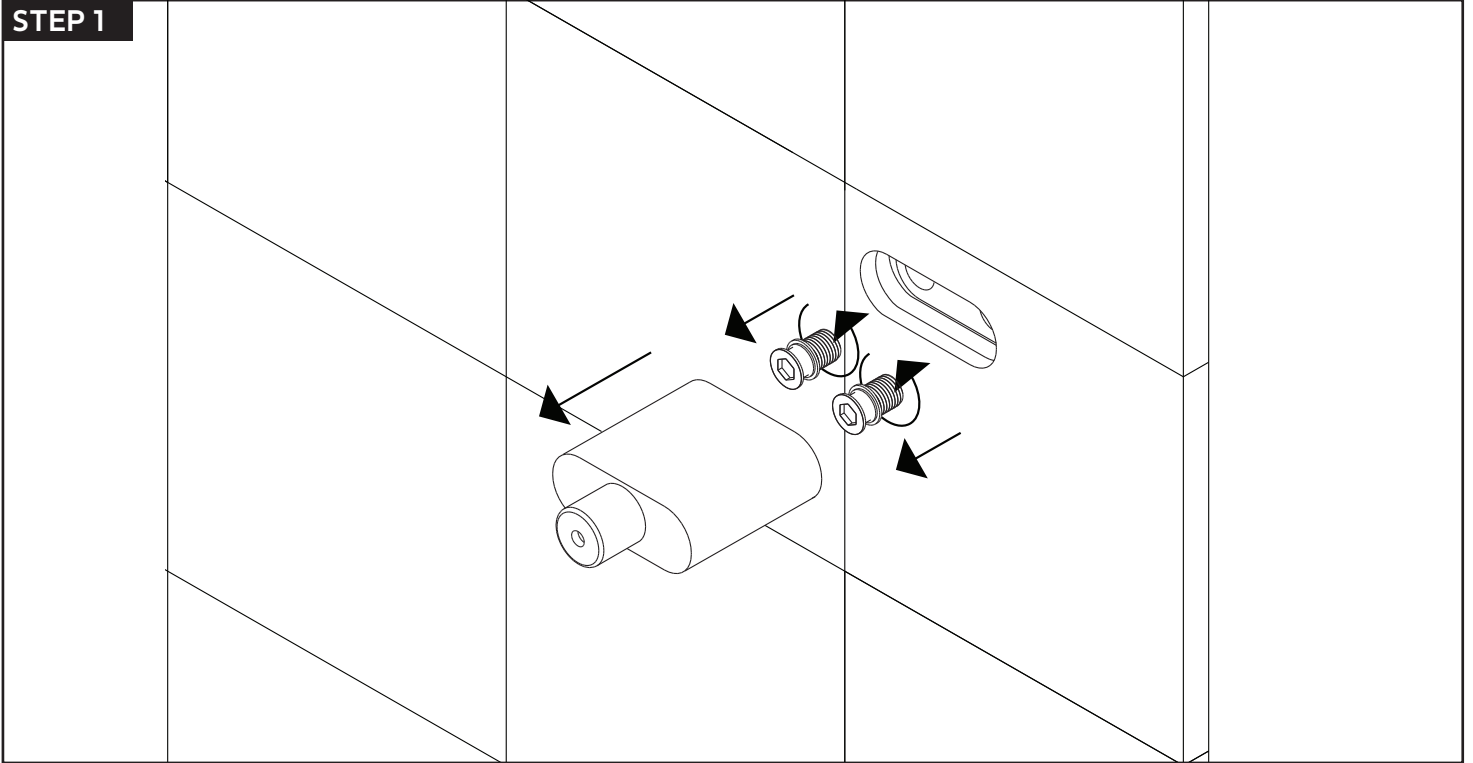


# artos<sup>®</sup>

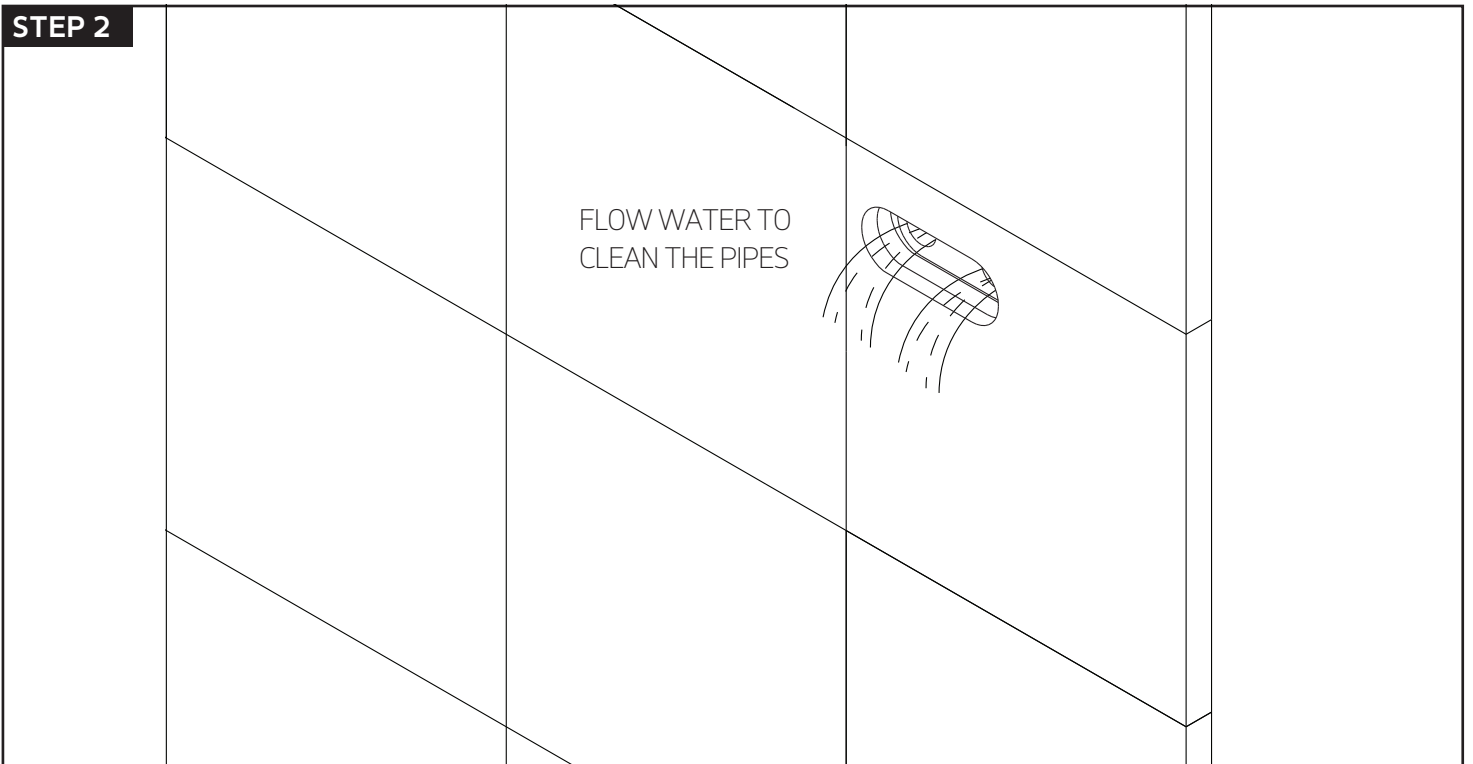
## F803-5TK

dual function shower head  
trim kit

### STEP 1

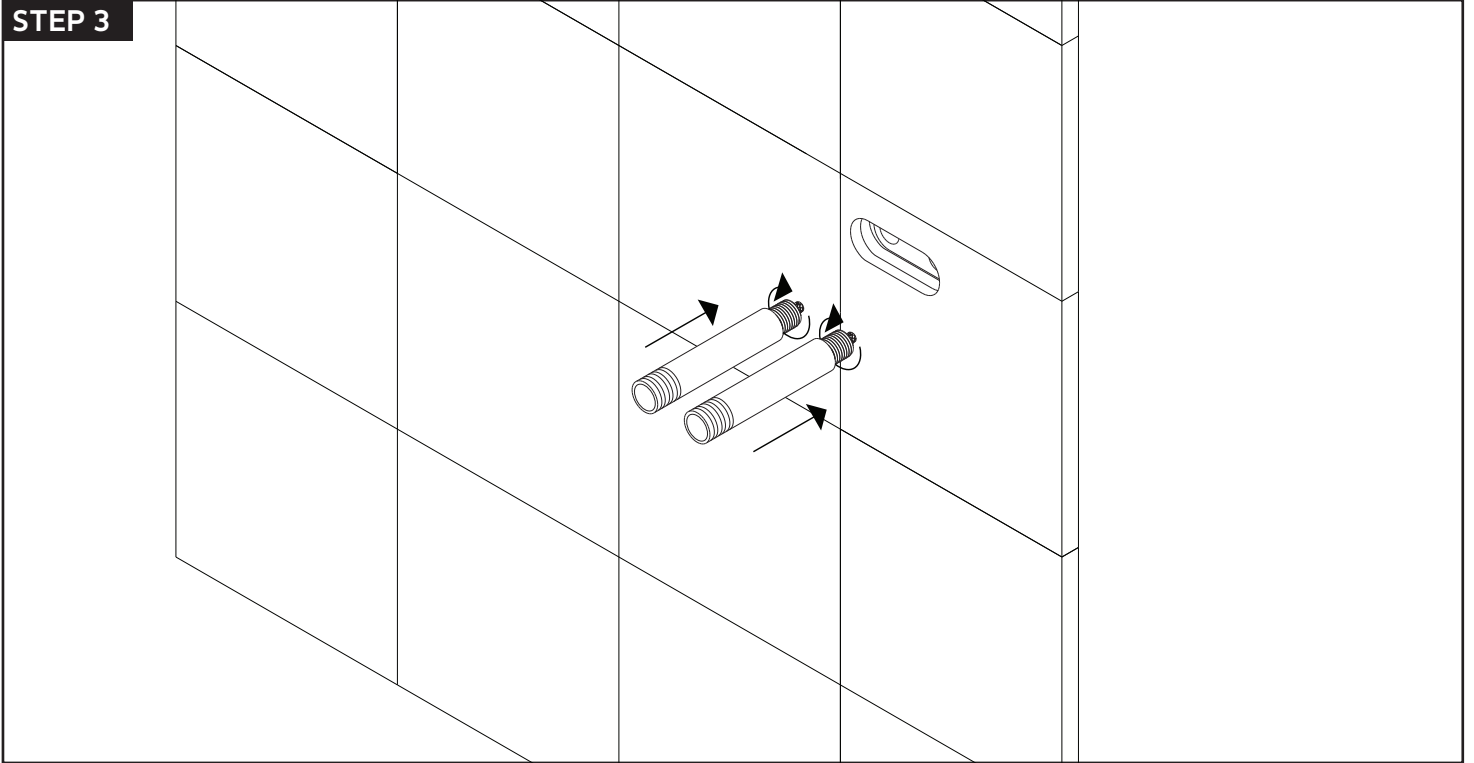


### STEP 2

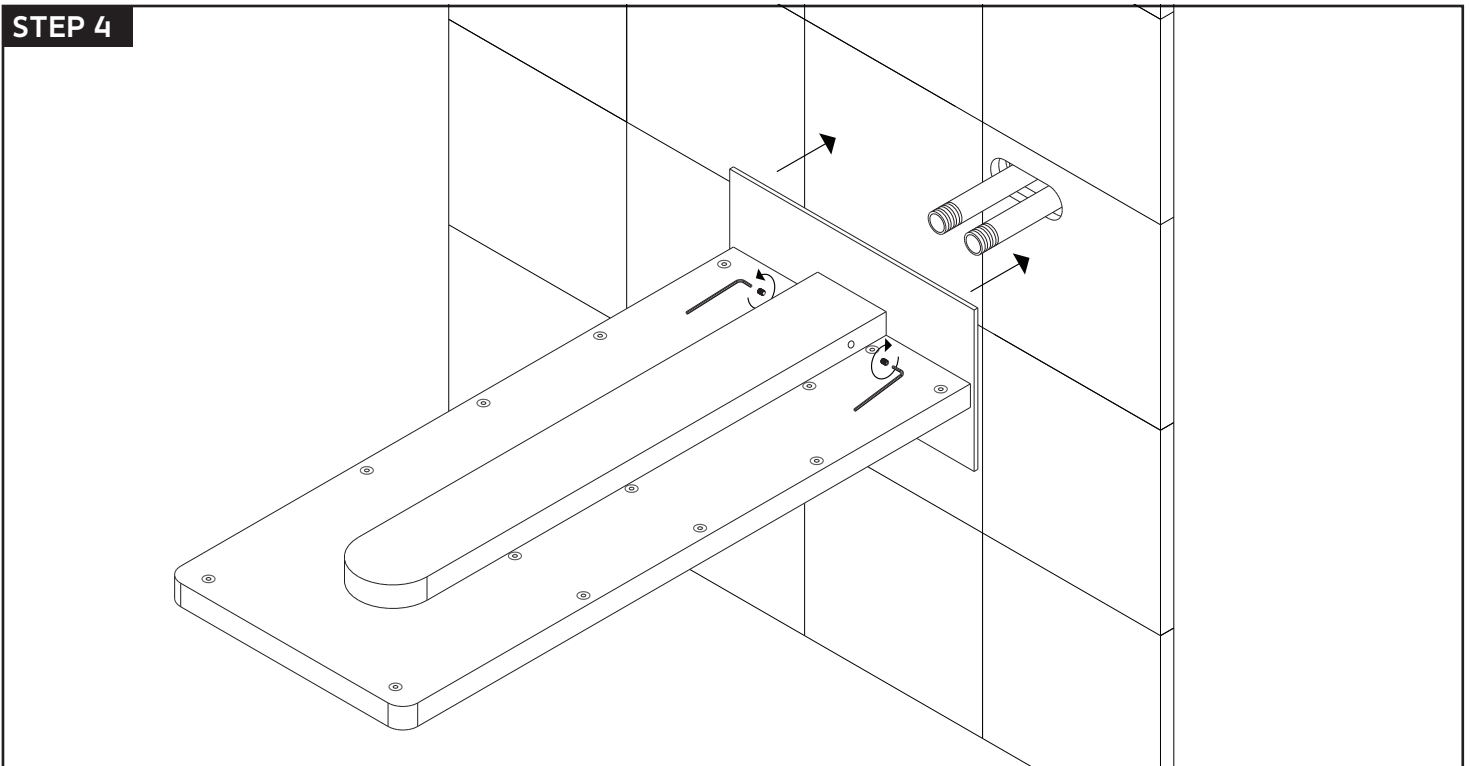


# INSTALLATION STEPS

## STEP 3



## STEP 4

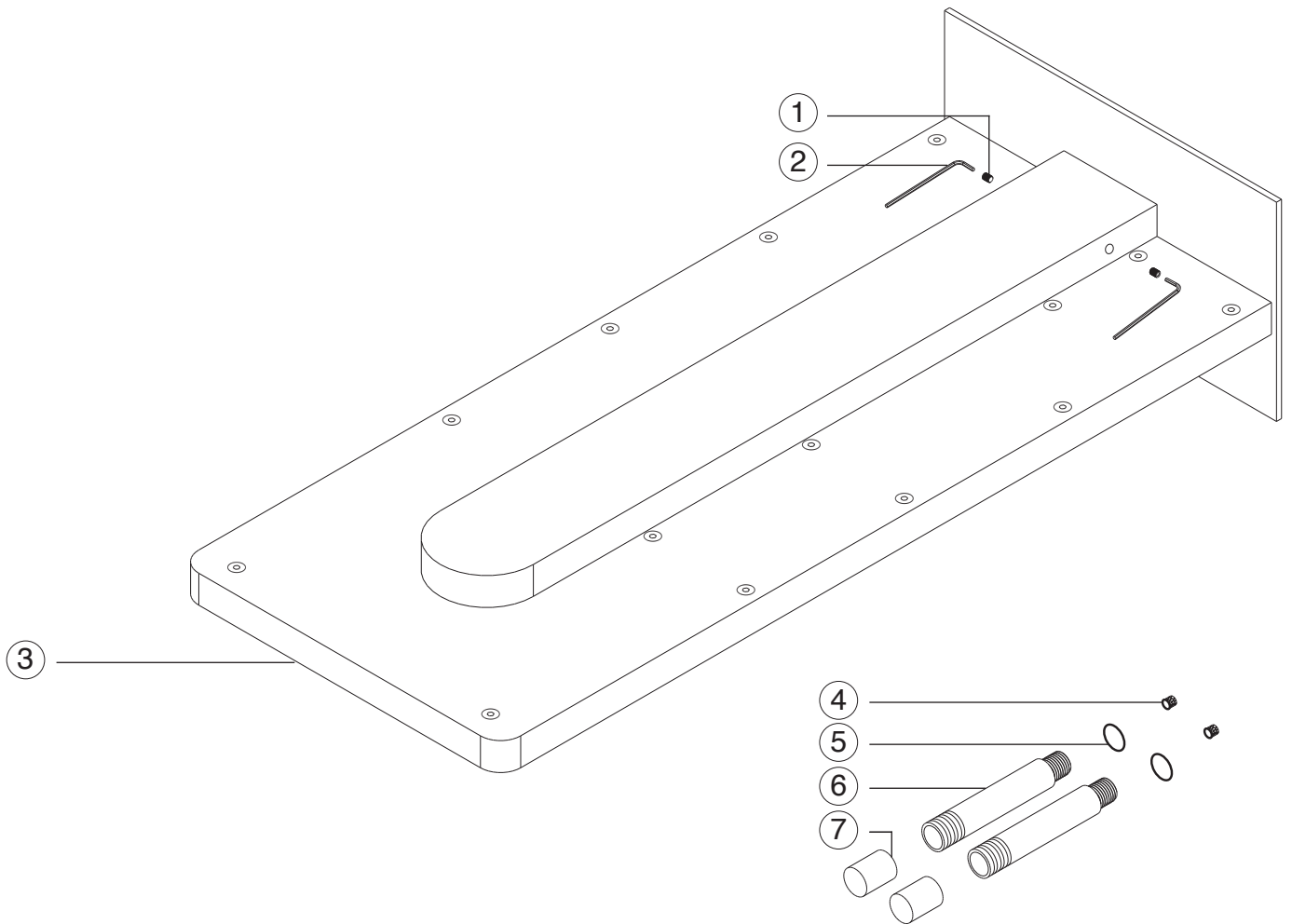


# artos<sup>®</sup>

## F803-5TK

## PARTS BREAKDOWN

dual function shower head  
trim kit



- ① SET SCREWS
- ② ALLEN WRENCH
- ③ SHOWERHEAD
- ④ SUPPLY NOZZLE FILTERS(2)
- ⑤ SUPPLY NOZZLE O-RINGS(2)
- ⑥ SUPPLY NOZZLES(2)
- ⑦ SUPPLY NOZZLE CAPS(2)