

# artos<sup>®</sup>

F703-1

INSTALLATION GUIDE

8" shower rainhead  
wall mount square

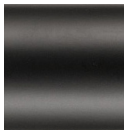
BRUSHED NICKEL(BN)



CHROME(CH)



BLACK(BK)



# artos<sup>®</sup>

F703-1

8" shower rainhead  
wall mount square

## OPERATING SPECIFICATIONS

### FEATURES

Solid Brass

### OPERATING PRESSURE

Minimum: 15 psi

Maximum: 75 psi

Above 90psi it may be necessary to install a pressure reducer

### OPERATING TEMPERATURE

Maximum: 176°

### FLOW RATE

1.8 USGPM

### APPROVALS

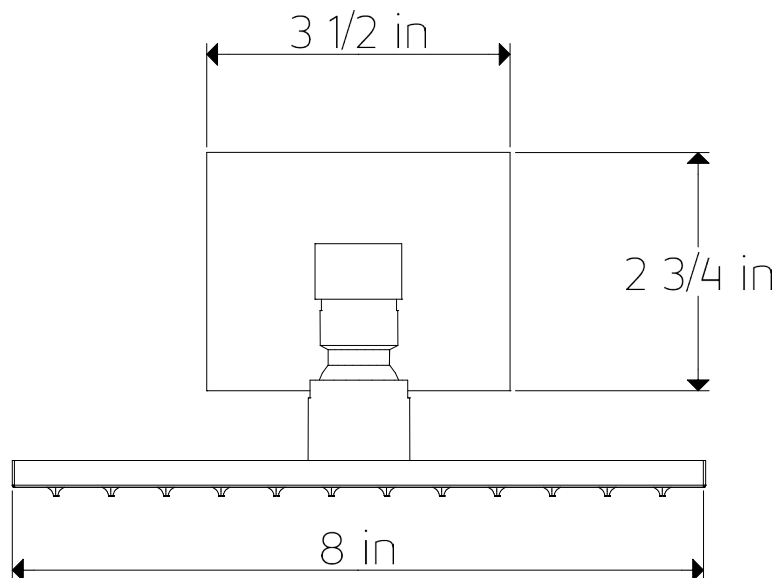
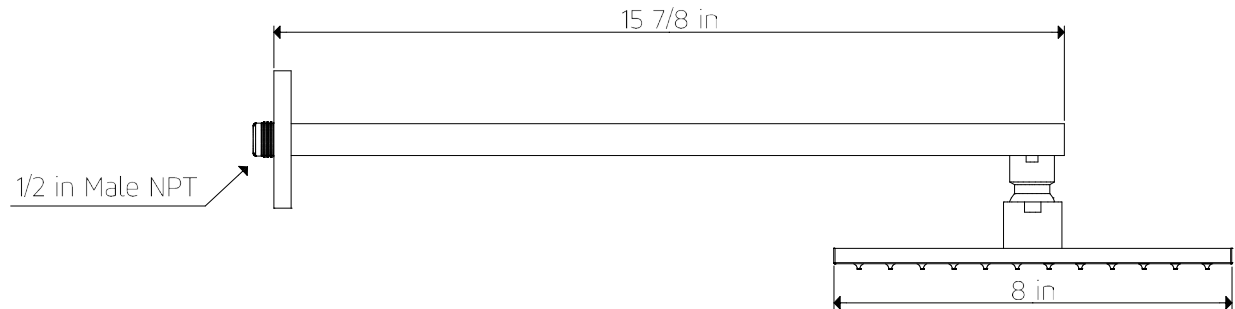


# artos<sup>®</sup>

F703-1

## PRODUCT DIMENSIONS

8" shower rainhead  
wall mount square



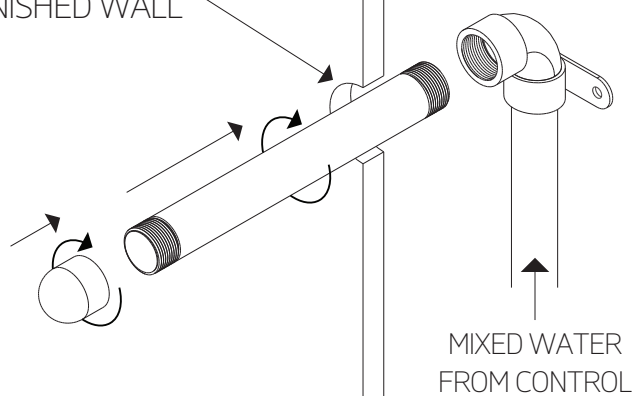
## F703-1

8" shower rainhead  
wall mount square

### STEP 1

\*ALL DIMENSIONS ARE APPROXIMATE

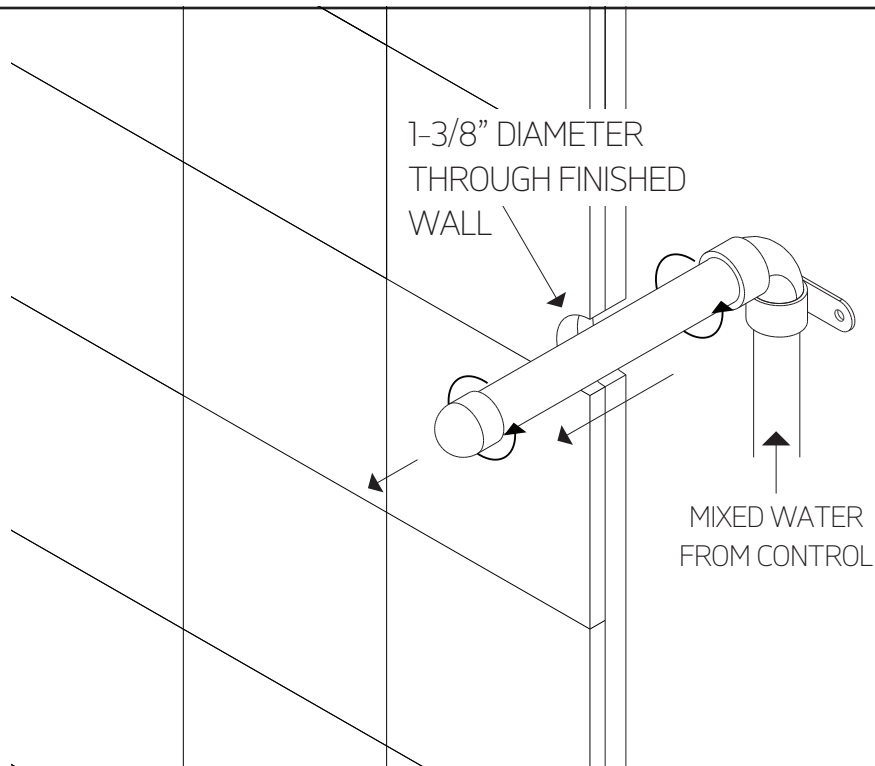
1-3/8" DIAMETER THROUGH  
FINISHED WALL



### STEP 2

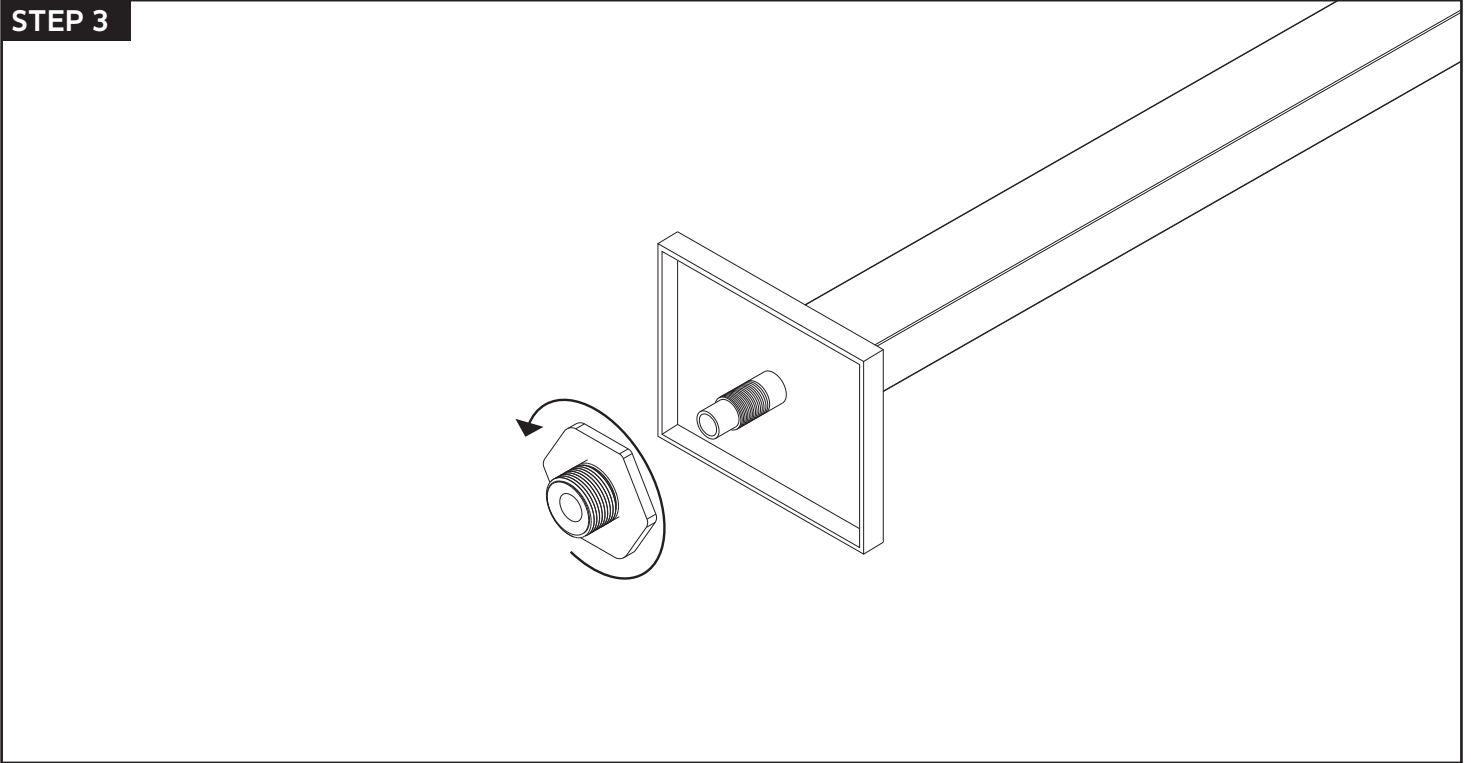
1-3/8" DIAMETER  
THROUGH FINISHED  
WALL

MIXED WATER  
FROM CONTROL

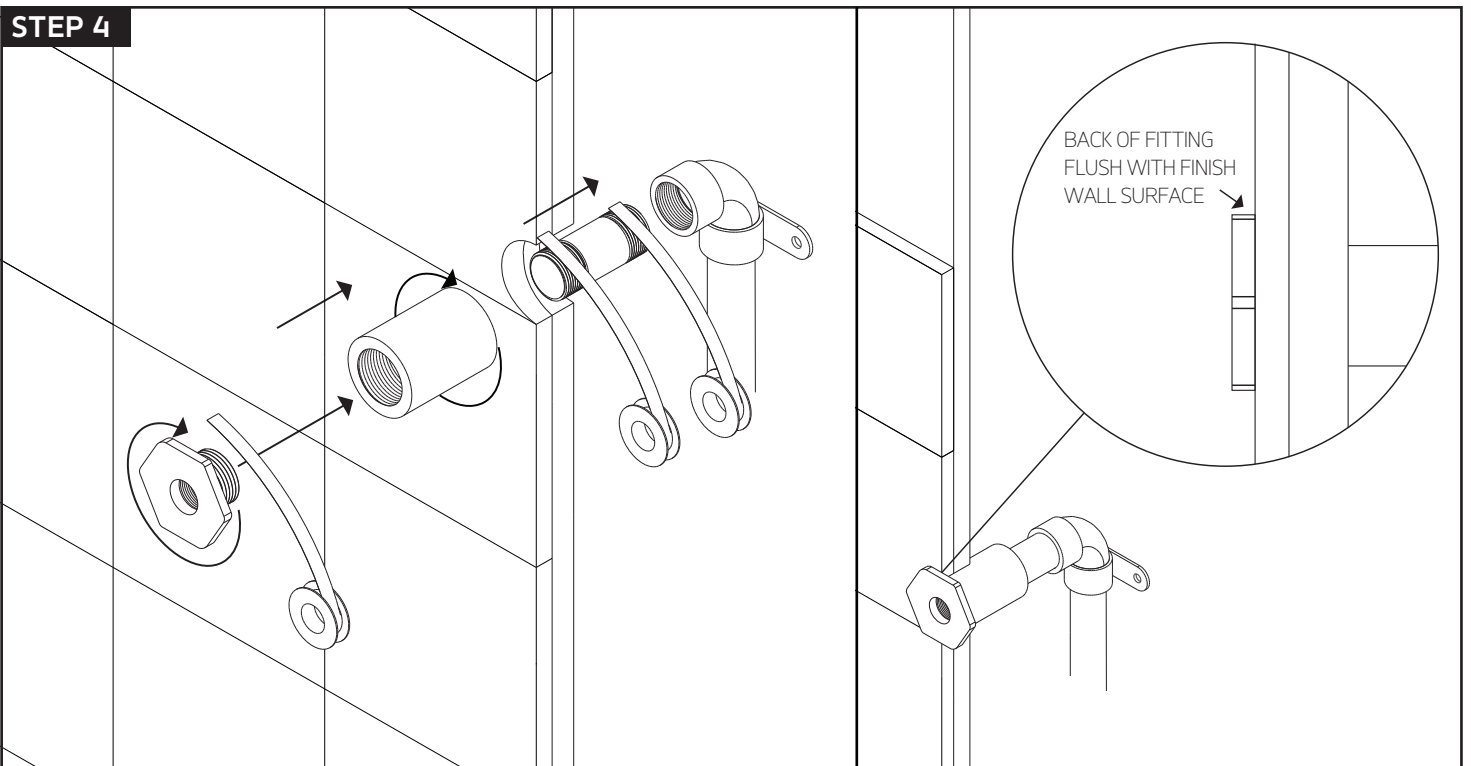


# INSTALLATION STEPS

## STEP 3



## STEP 4

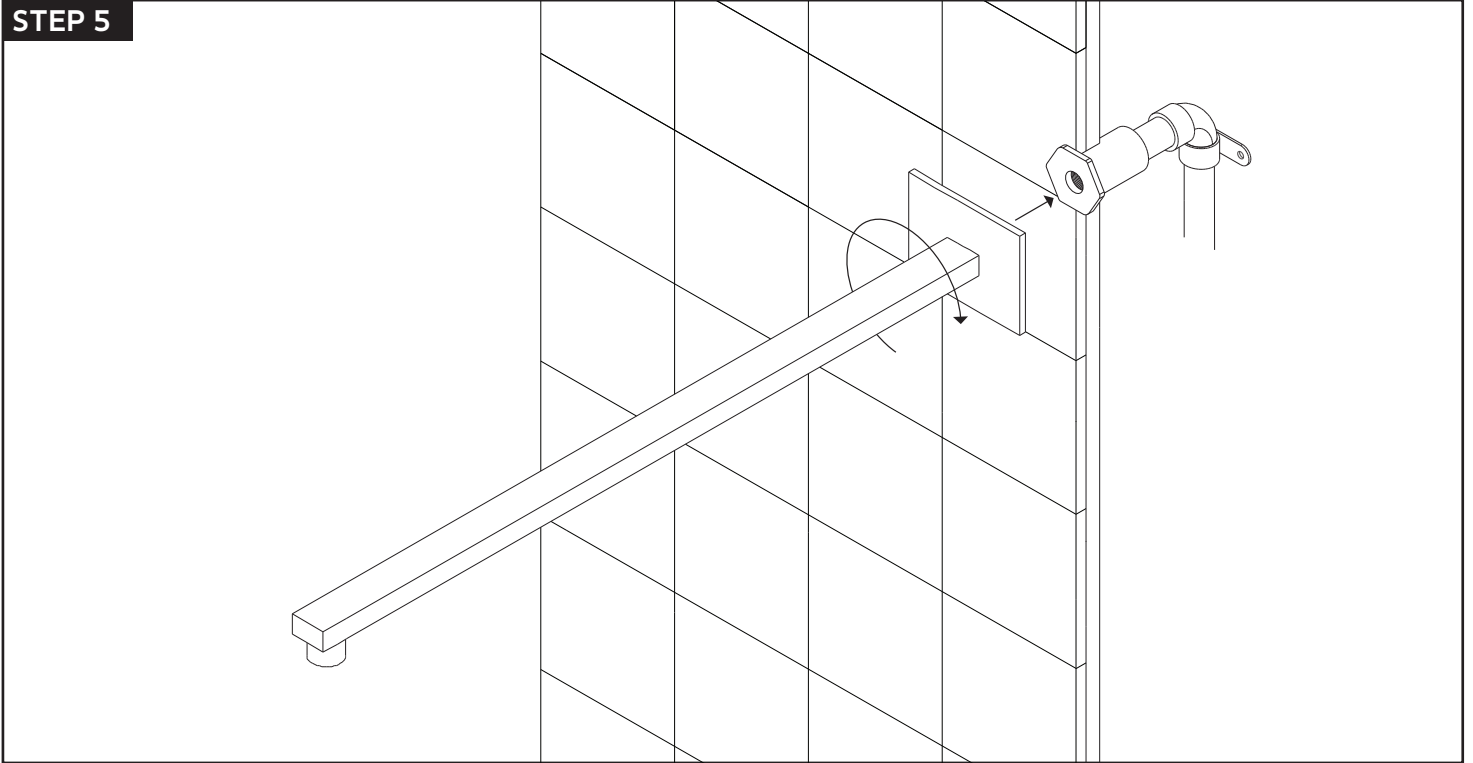


F703-1

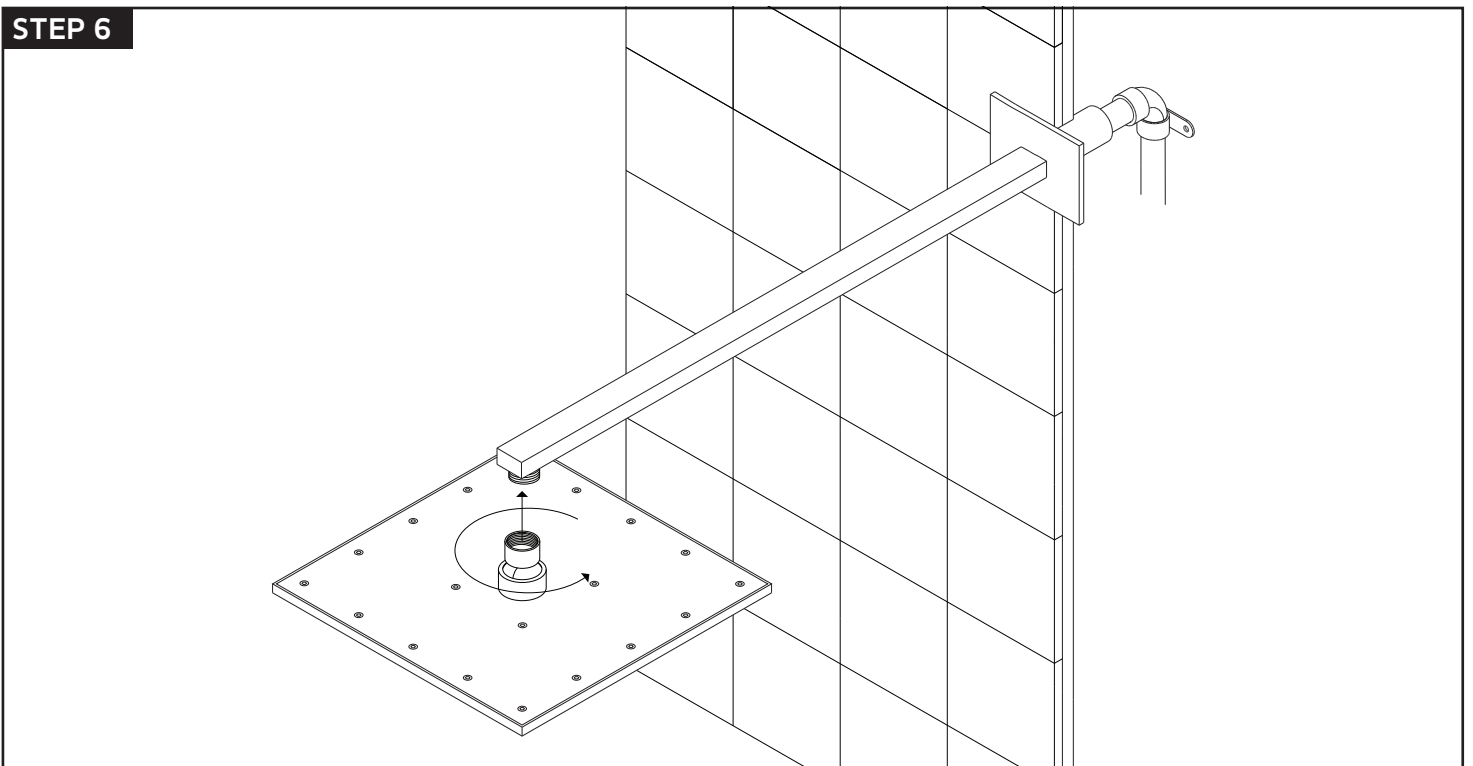
## INSTALLATION STEPS

8" shower rainhead  
wall mount square

### STEP 5



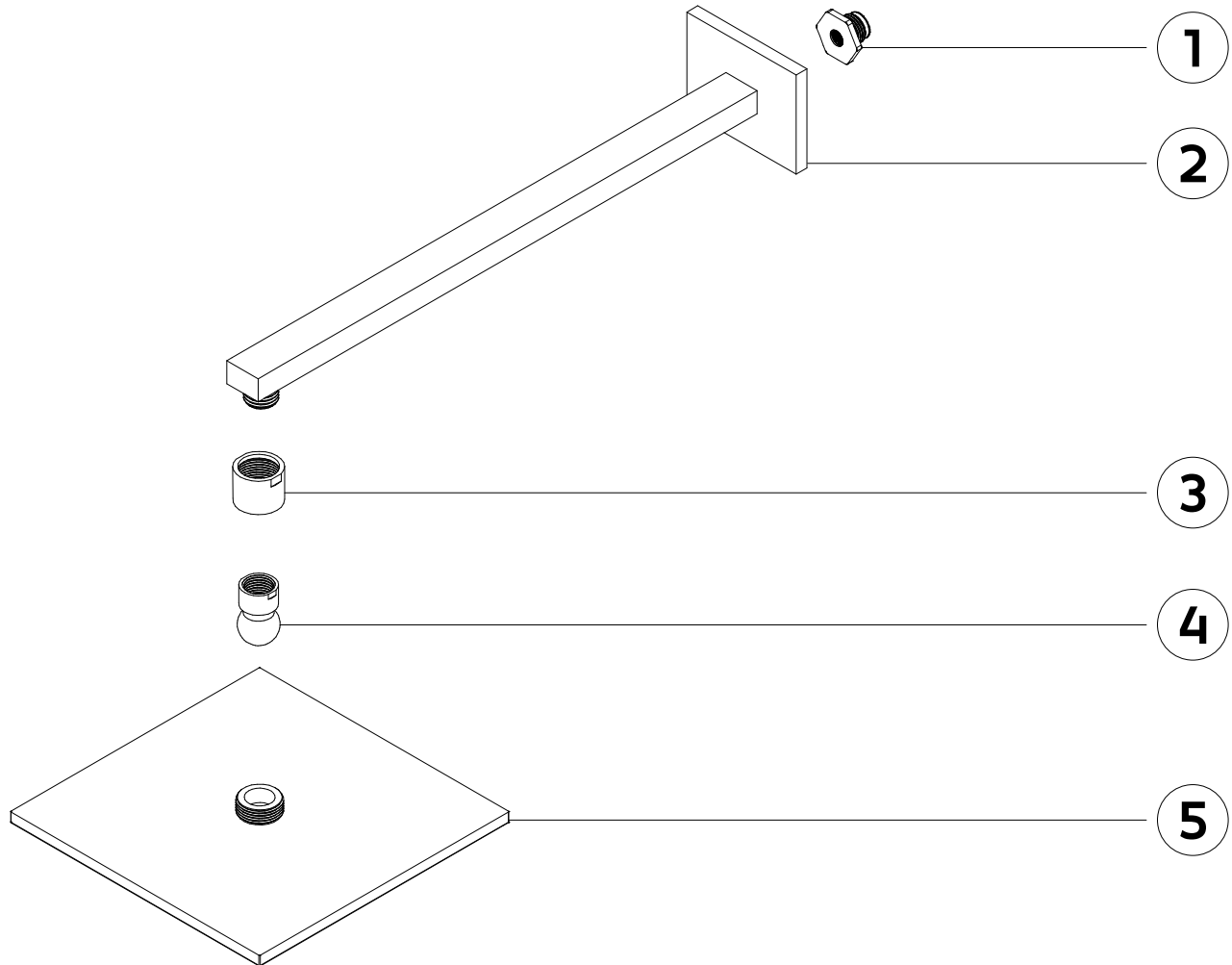
### STEP 6



F703-1

8" shower rainhead  
wall mount square

## PARTS BREAKDOWN



- 1** SHOWER ARM WALL FITTING
- 2** SHOWER ARM
- 3** SWIVEL ARM SECURING NUT
- 4** SWIVEL ARM
- 5** SHOWER HEAD