

artos[®]

F703-10

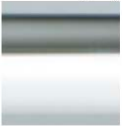
INSTALLATION GUIDE

adjustable flexible hose
shower kit with integrated
water outlet square

BRUSHED NICKEL(BN)



CHROME(CH)



BLACK(BK)



artos[®]

F703-10

OPERATING SPECIFICATIONS

adjustable flexible hose
shower kit with integrated
water outlet square



FEATURES

Integrated Water Outlet
60" Flexible Hose

OPERATING PRESSURE

Minimum: 15 psi
Maximum: 75 psi
Above 90psi it may be necessary to install a
pressure reducer

OPERATING TEMPERATURE

Maximum: 176°

FLOW CAPACITY

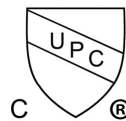
1.8 USGPM

INLET/OUTLET

1/2" Female NPT

REQUIREMENTS

This unit requires a control

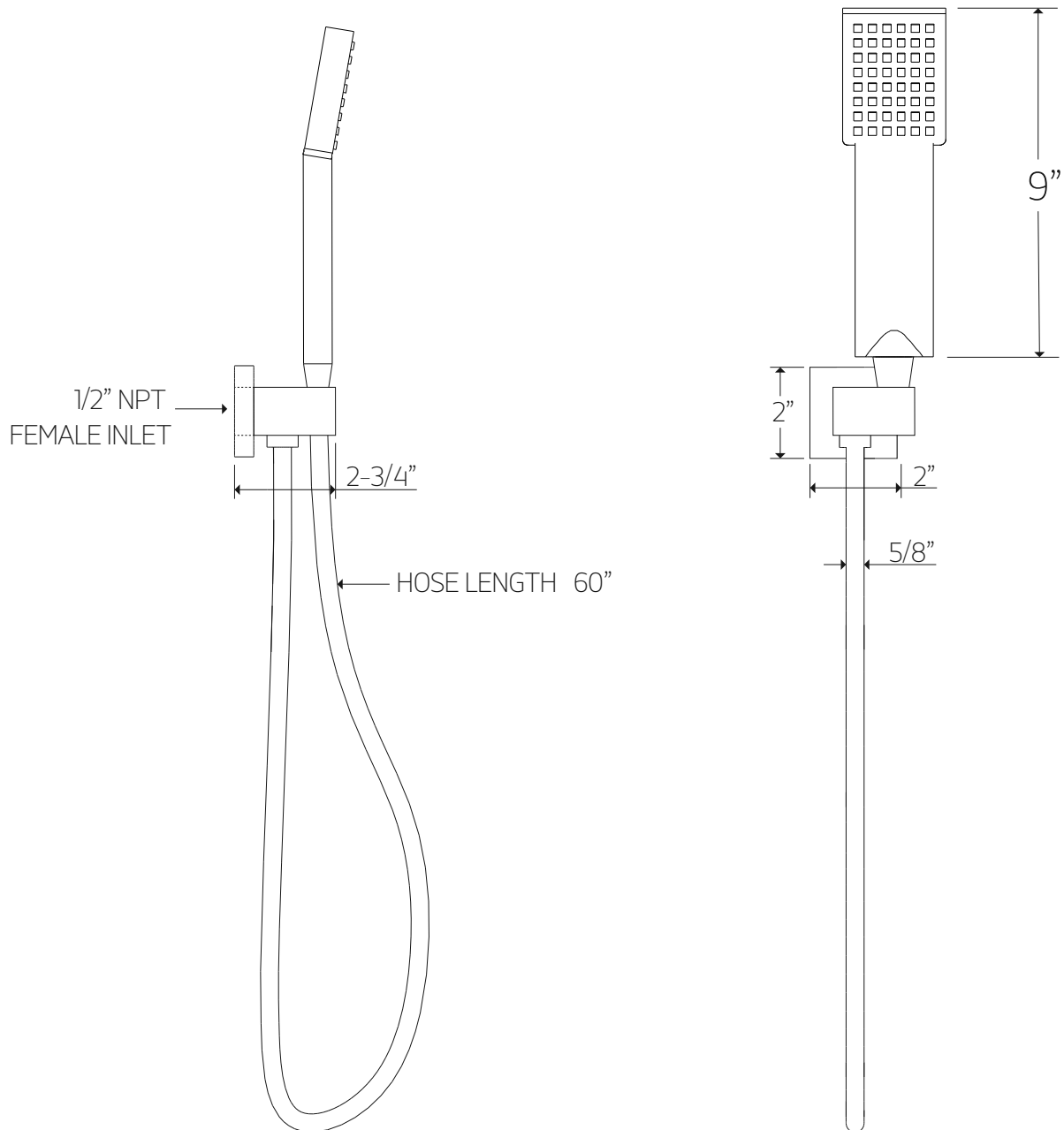


artos[®]

F703-10

PRODUCT DIMENSIONS

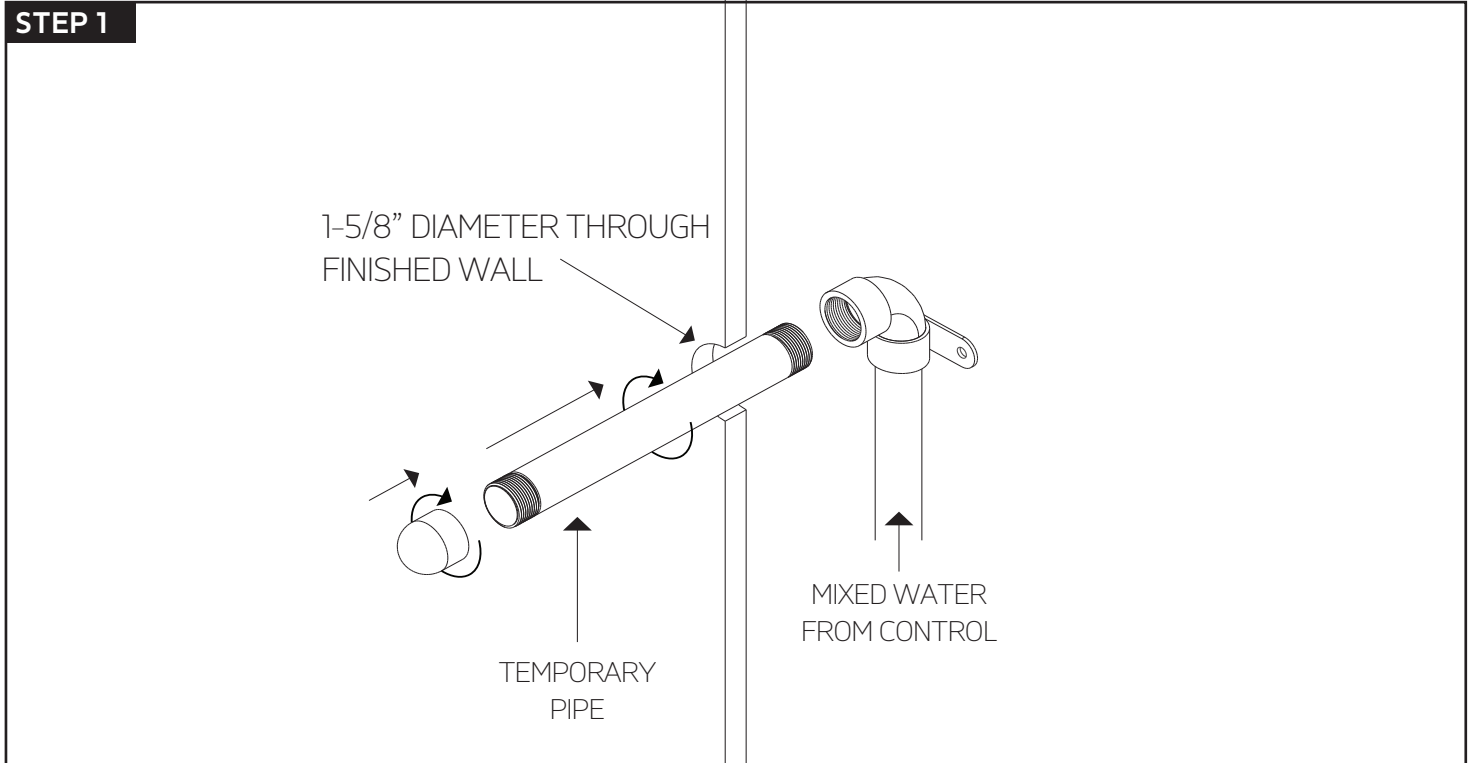
adjustable flexible hose
shower kit with integrated
water outlet square



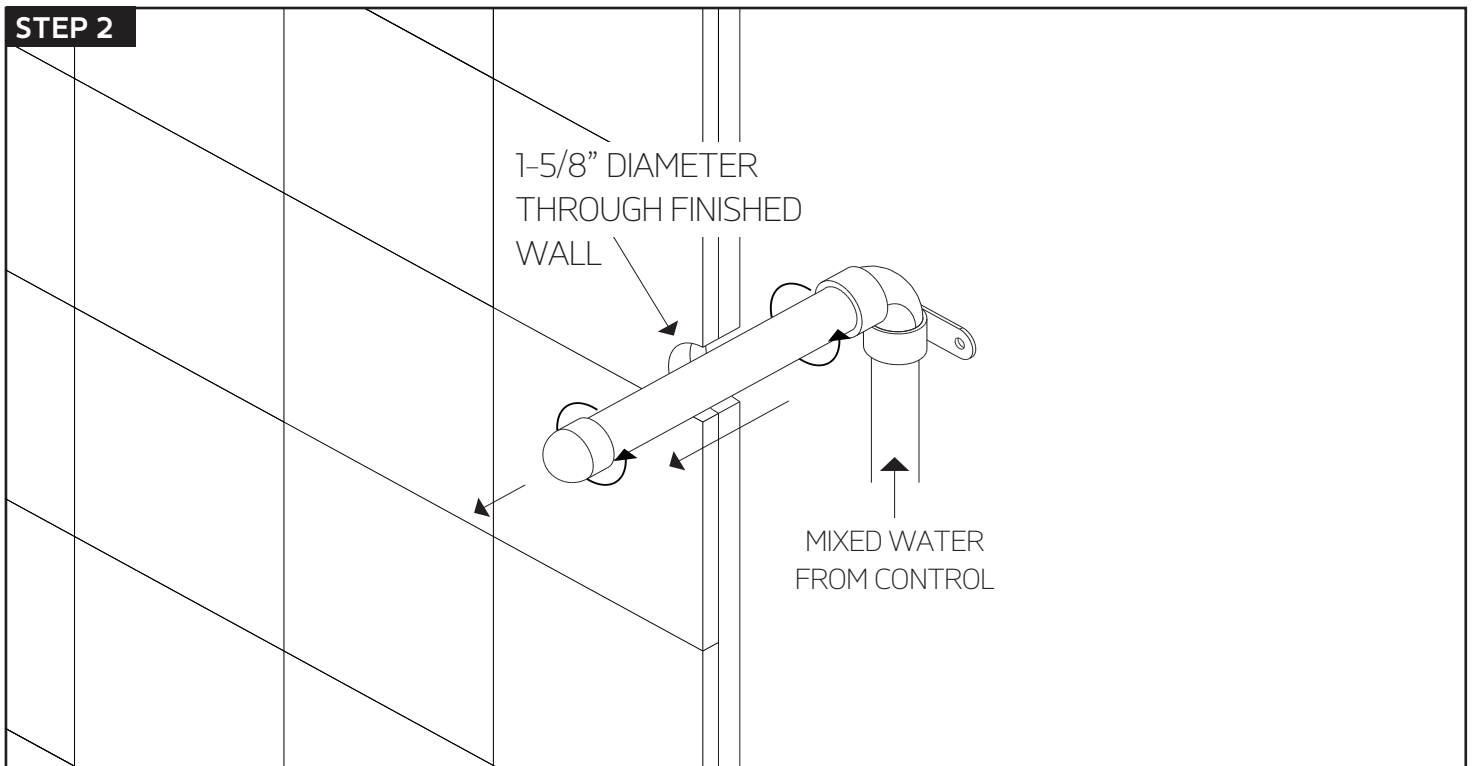
F703-10

adjustable flexible hose
shower kit with integrated
water outlet square

STEP 1

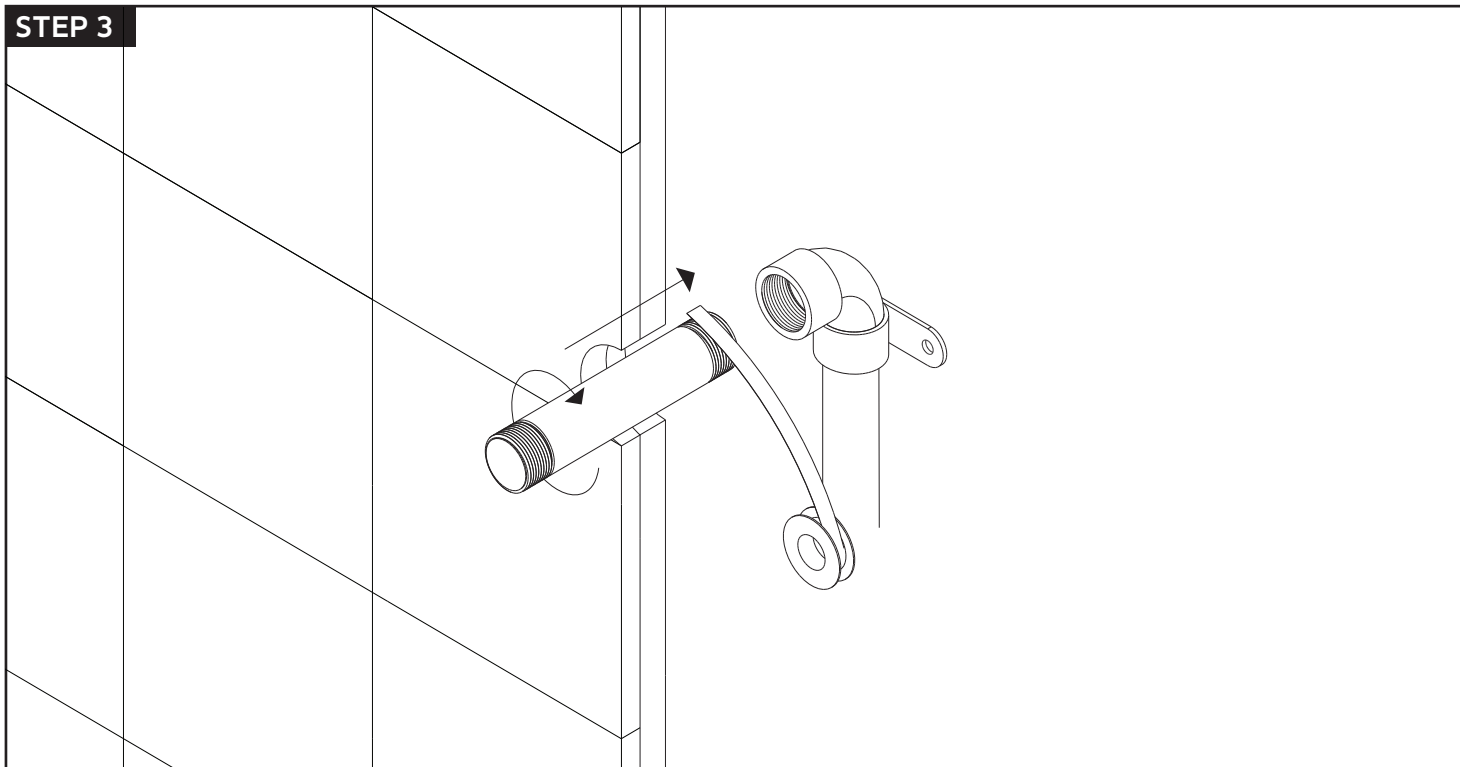


STEP 2

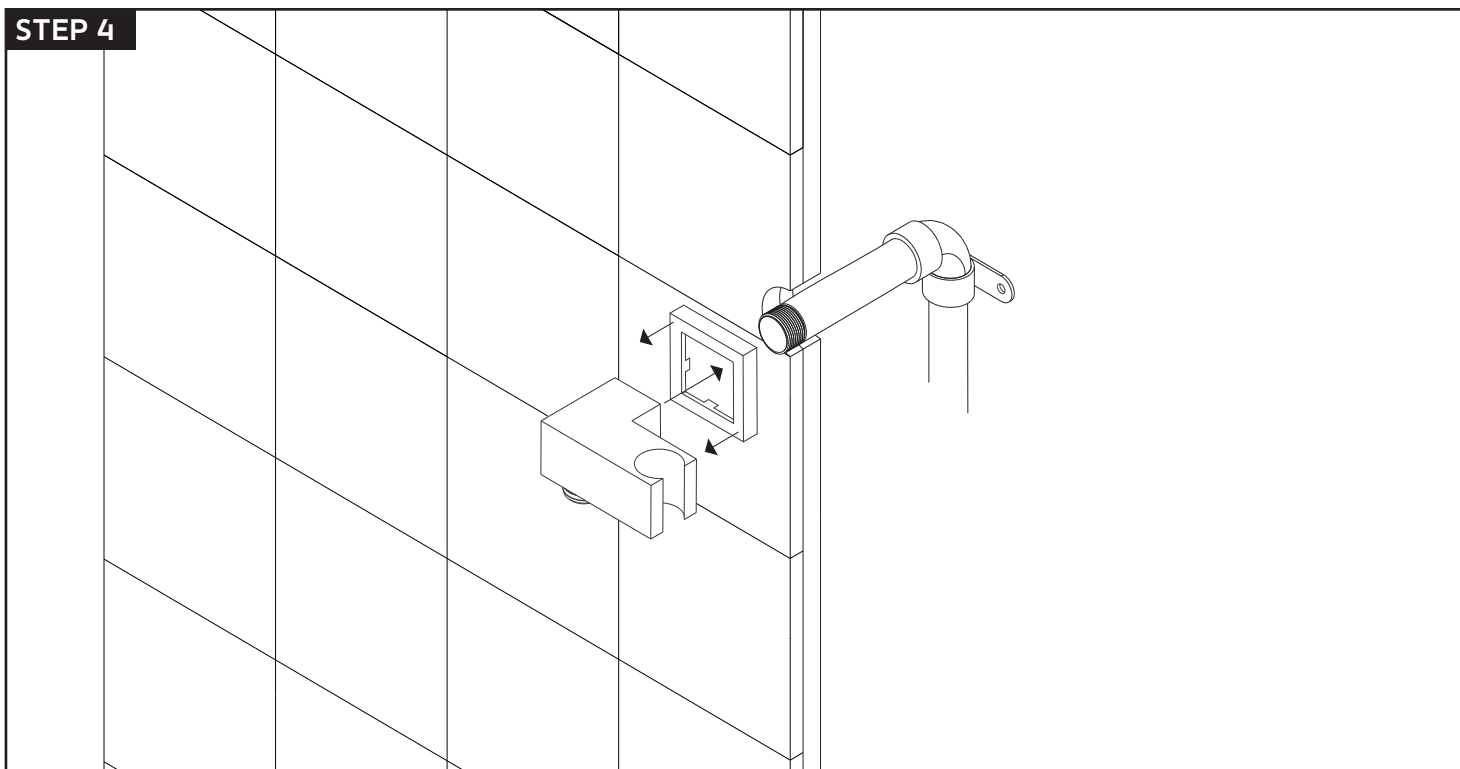


INSTALLATION STEPS

STEP 3



STEP 4



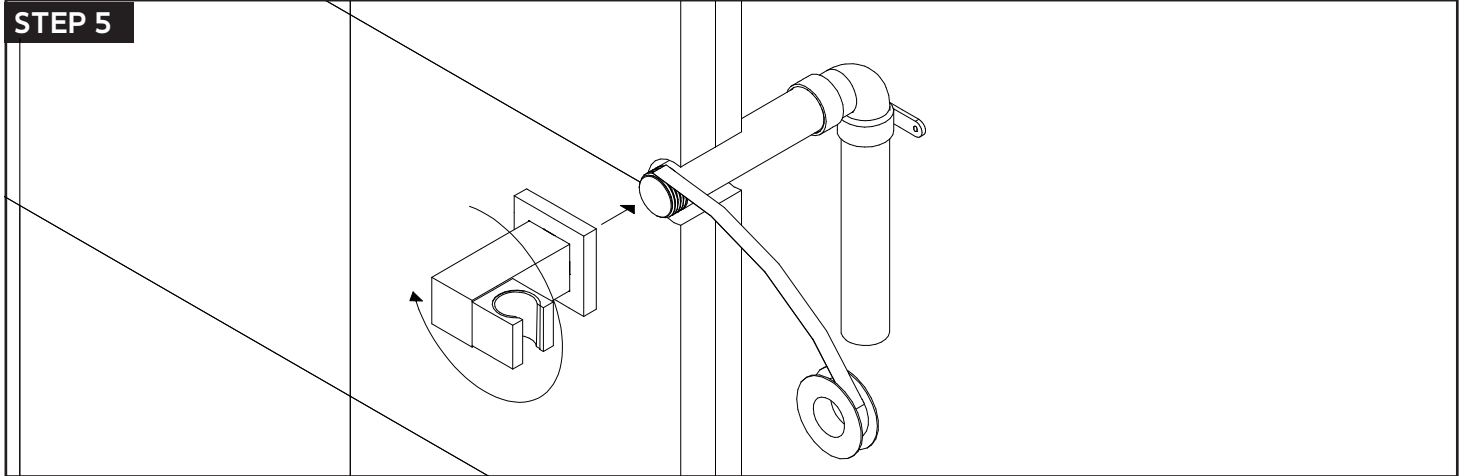
artos[®]

F703-10

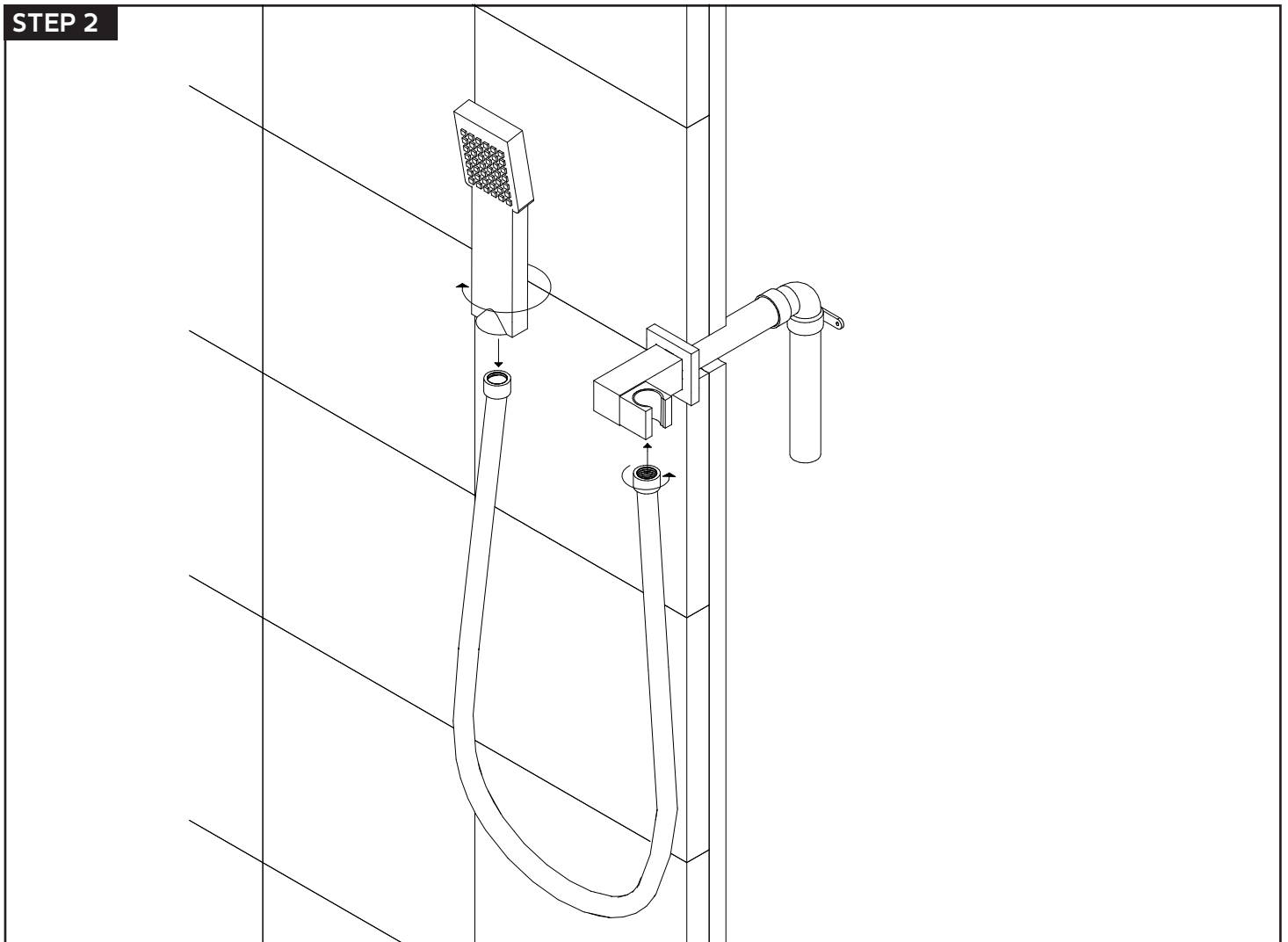
INSTALLATION STEPS

adjustable flexible hose
shower kit with integrated
water outlet square

STEP 5



STEP 2



artos[®]

F703-10

PARTS BREAKDOWN

adjustable flexible hose
shower kit with integrated
water outlet square

