

F502-10

Opera Round 5-Hole Deck Mounted Tub Filler
with Hand Shower

artos®

INSTALLATION GUIDE



F502-10

Opera Round 5-Hole Deck Mounted Tub Filler
with Hand Shower

artos®

OPERATING SPECIFICATIONS



OPERATING TEMPERATURE

Maximum: 176°

OPERATING PRESSURE

Minimum: 15psi

Maximum: 75psi

Recommended: 25psi-70psi

Operating pressures (on hot and cold lines) should be kept as balanced as possible, in order to assure the maximum efficiency

FLOW RATE

Tub Filler: 6.0 USGPM

Hand Shower: 2.0 USGPM

MATERIAL

Solid Brass

FEATURES

Pull-Out Hand Shower with 25" Hose

Rotating Spout Design

STANDARDS

Faucet handles are ADA-compliant and require ≤ 5 pounds of operating force.

For a complete list of applicable standards, please visit the Product Approvals section of our Learning Hub at artos.us.com.



WESTOVER, INC

4011 S 60TH ST, OMAHA, NE 68117

WWW.ARTOS.US.COM

T: 402-397-3344

All technical specifications, product details, and pricing are subject to change without prior notice. Artos makes every effort to ensure accuracy; however, errors or omissions may occur. It is the responsibility of the installer, designer, or purchaser to verify all critical dimensions, installation requirements, and compliance with applicable codes prior to use.

Artos assumes no liability for damages, losses, or injuries resulting from the use of this documentation or from product installation, operation, or maintenance performed outside of Artos instructions and applicable codes. Product warranties are limited to those expressly stated by Artos. Please refer to official warranty documentation for complete terms and conditions.

All drawings, manuals, and specifications are the property of Artos and may not be reproduced, distributed, or altered without prior written permission.

F502-10

Opera Round 5-Hole Deck Mounted Tub Filler
with Hand Shower

INDEX

Product Dimensions.....pg:4

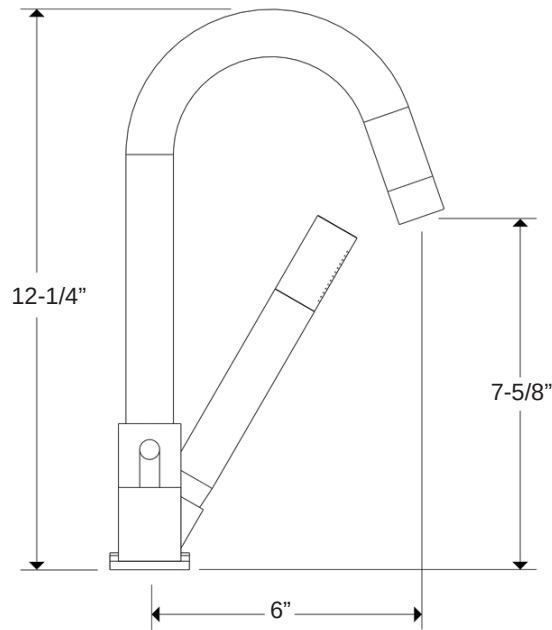
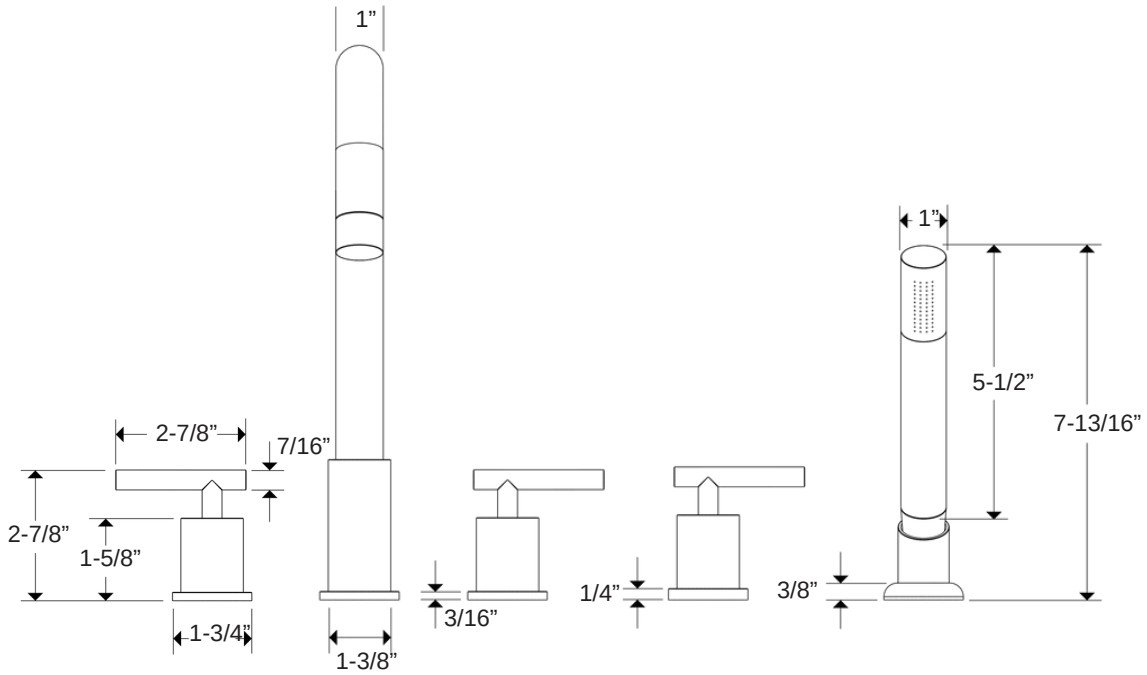
Opera Round 5-Hole Deck Mounted Tub Filler with Hand Shower F502-10.....pg:5-7

Parts Breakdown F502-10.....pg:8

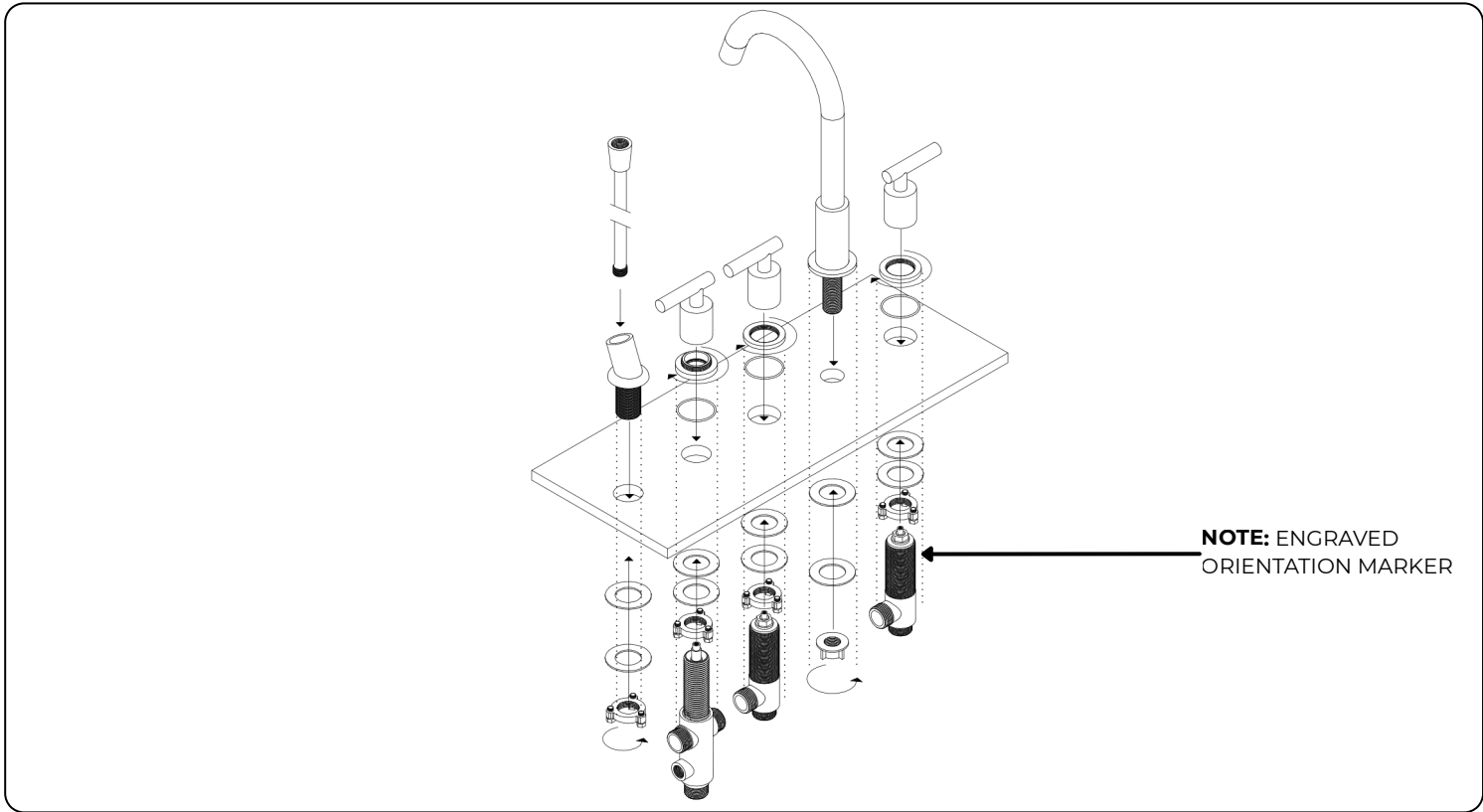
F502-10

Opera Round 5-Hole Deck Mounted Tub Filler
with Hand Shower

PRODUCT DIMENSIONS



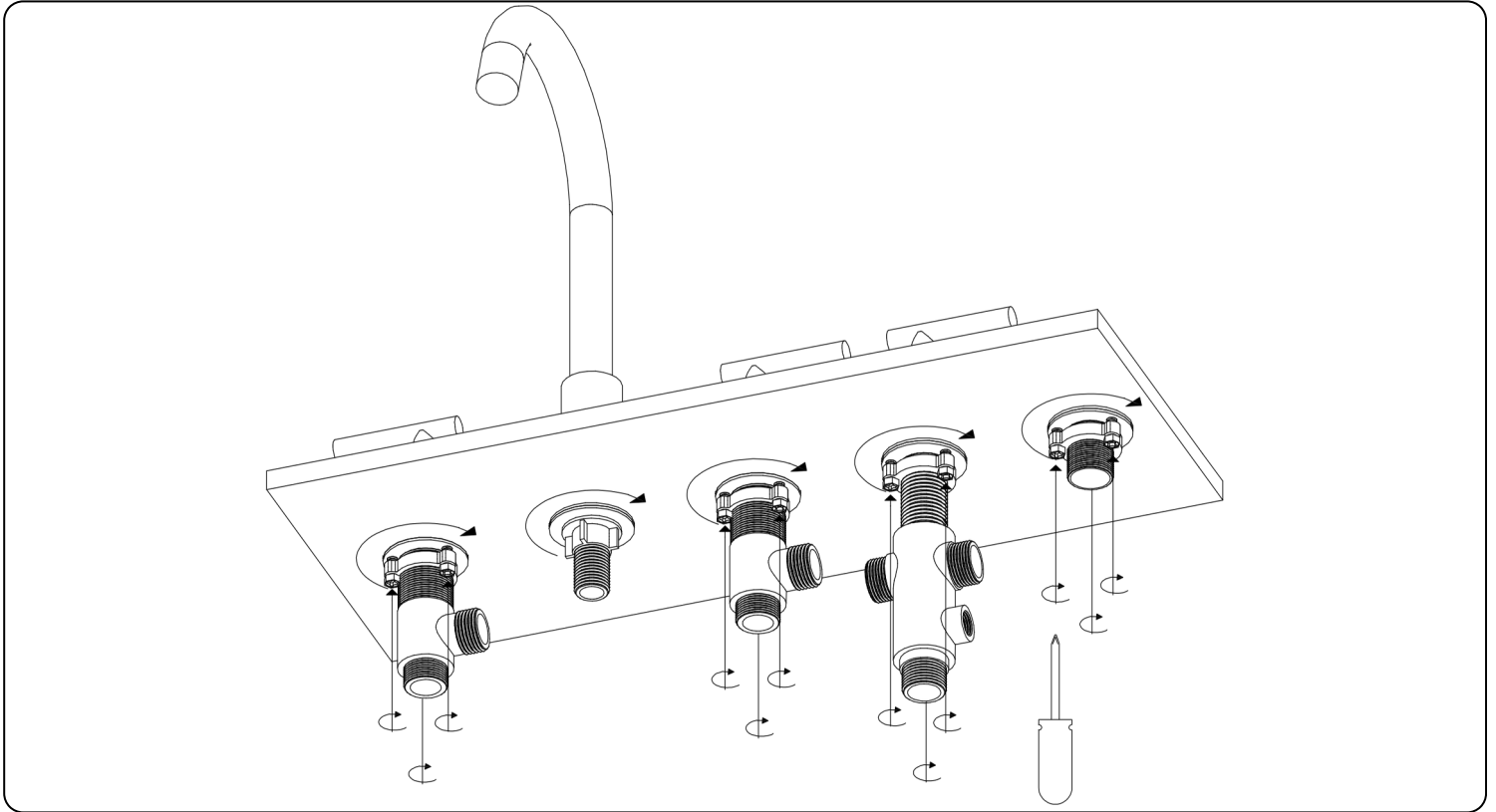
STEP 1



Following the diagram above, remove the valve bodies, securing nut, and washers, then position these components on the underside of the countertop. Once the lower components are in place, set the upper components on the top surface. This includes the tub filler control handles, diverter handles, and shower wand connector, along with their corresponding escutcheons. Ensure each escutcheon is properly seated and aligned before moving forward, as this will help maintain correct orientation during tightening.

NOTE: A second person to assist is recommended during initial valve tightening to help align components and ensure proper threading.

STEP 2



Secure the valve bodies to the escutcheons by rotating either the valve body or the escutcheon clockwise until they engage firmly. After the upper connection is stable, tighten the valve-securing nuts on the underside of the counter to lock each valve body into position. Make sure the valves remain straight and properly aligned as you tighten, as their final orientation will affect handle operation and appearance.

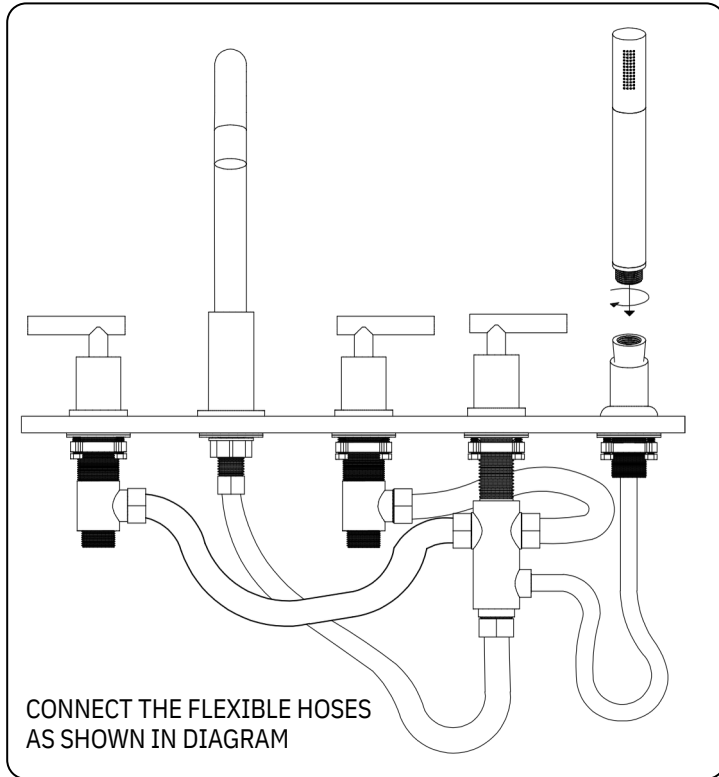
NOTE: Valve securing nut may be an individual nut without tensioning screws, depending on model version.

F502-10

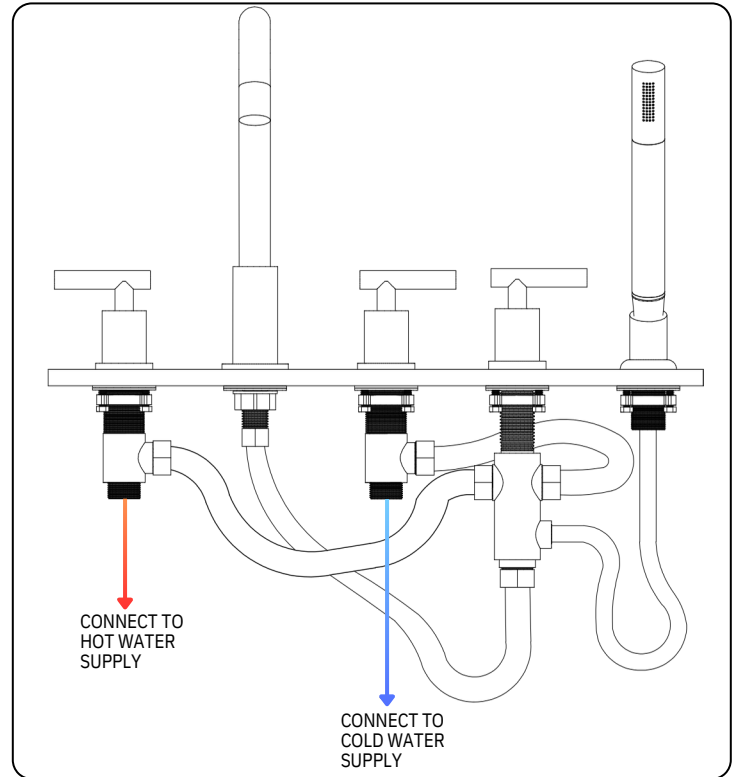
Opera Round 5-Hole Deck Mounted Tub Filler with Hand Shower

INSTALLATION GUIDE

STEP 3



STEP 4



STEP 3

Connect all flexible hoses as illustrated in the diagram, ensuring each hose is routed cleanly and without kinks. Attach the hoses to the control valves, tub filler body, and shower wand connector, making sure the connections are fully seated and tightened. Verify that the hoses connected to the diverter control valve are matched to their correct ports to ensure proper water routing between the tub filler and the shower wand.

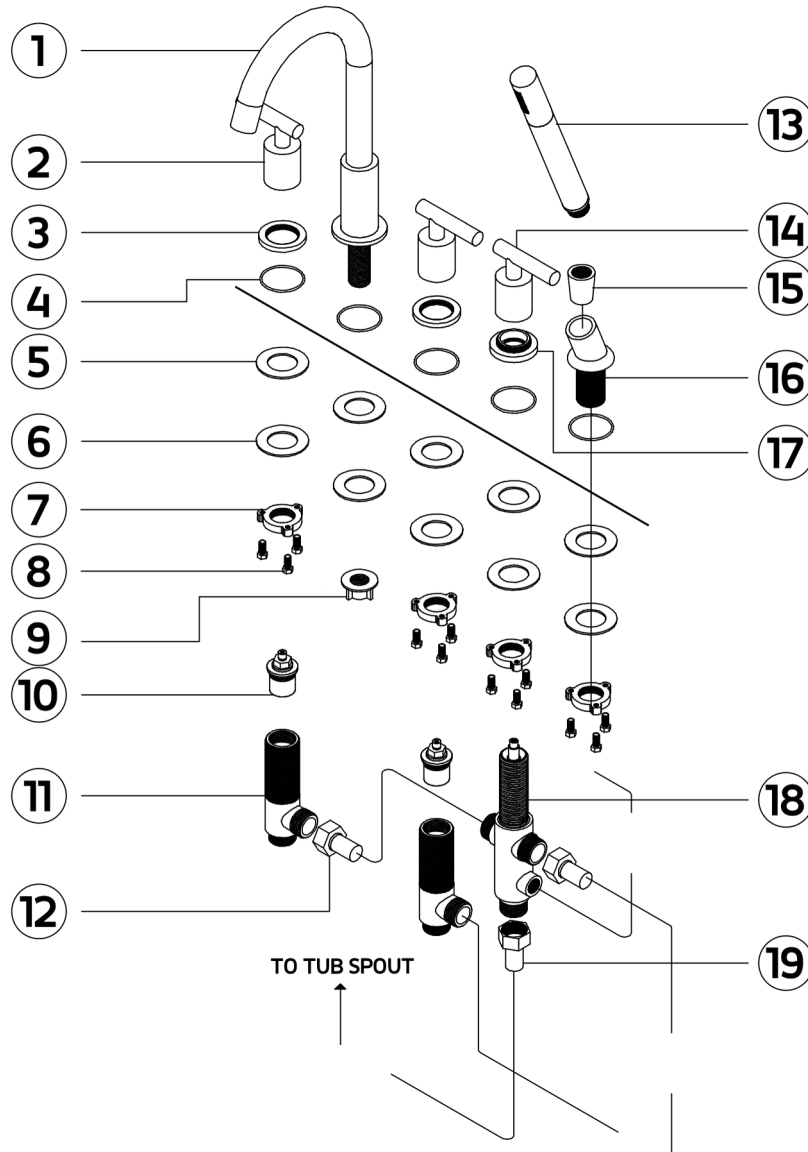
STEP 4

Connect the hot water supply line to the left control valve and the cold water supply line to the right control valve. Confirm that all supply connections are secure and free of cross-threading. Once connected, ensure the supply lines have adequate clearance and are not placing stress on the valve bodies or hoses.

F502-10

Opera Round 5-Hole Deck Mounted Tub Filler with Hand Shower

PARTS BREAKDOWN



- | | |
|---------------------------------|----------------------------------|
| ① TUB FILLER SPOUT | ⑪ CONTROL HANDLE VALVE BODY (2) |
| ② TUB FILLER CONTROL HANDLE (2) | ⑫ CONTROL HANDLE SUPPLY HOSE (2) |
| ③ CONTROL HANDLE ESCUTCHEON (2) | ⑬ HAND SHOWER |
| ④ O-RING (5) | ⑭ DIVERTER HANDLE |
| ⑤ RUBBER WASHER (5) | ⑮ HAND SHOWER SUPPLY HOSE |
| ⑥ METAL WASHER (5) | ⑯ HAND SHOWER CONNECTOR |
| ⑦ SECURING NUT (4) | ⑰ DIVERTER HANDLE ESCUTCHEON |
| ⑧ SECURING NUT SCREWS (12) | ⑱ DIVERTER VALVE |
| ⑨ TUB SPOUT SECUTING NUT | ⑲ TUB SPOUT SUPPLY HOSE |
| ⑩ CONTROL HANDLE CARTRIDGE (2) | |