

F501-11

Modern Bar Faucet

artos®

INSTALLATION GUIDE



F501-11

Modern Bar Faucet

artos®

OPERATING SPECIFICATIONS



OPERATING TEMPERATURE

Maximum: 176°

OPERATING PRESSURE

Minimum: 20psi

Maximum: 125psi

Recommended: 25psi-70psi

Above 90psi, it may be necessary to install a pressure reducer

FLOW RATE

1.8 USGPM @ 60psi

INSTALLATION DIMENSIONS

Max Countertop Thickness: 2-1/4"

Countertop Hole Dimension: 1-3/8"

FEATURES

1-Hole Installation

Ceramic Disc Cartridge

STANDARDS

Certified to CUPC

Certified to AB1953

Certified to NSF/ANSI 61

ADA for lever handle

To view all standards, please visit product approvals in our learning hub at artos.us.com



WESTOVER, INC

4011 S 60TH ST, OMAHA, NE 68117

[WWW.ARTOS.US.COM](https://www.artos.us.com)

T: 402-397-3344

All technical specifications, product details, and pricing are subject to change without prior notice. Artos makes every effort to ensure accuracy; however, errors or omissions may occur. It is the responsibility of the installer, designer, or purchaser to verify all critical dimensions, installation requirements, and compliance with applicable codes prior to use.

Artos assumes no liability for damages, losses, or injuries resulting from the use of this documentation or from product installation, operation, or maintenance performed outside of Artos instructions and applicable codes. Product warranties are limited to those expressly stated by Artos. Please refer to official warranty documentation for complete terms and conditions.

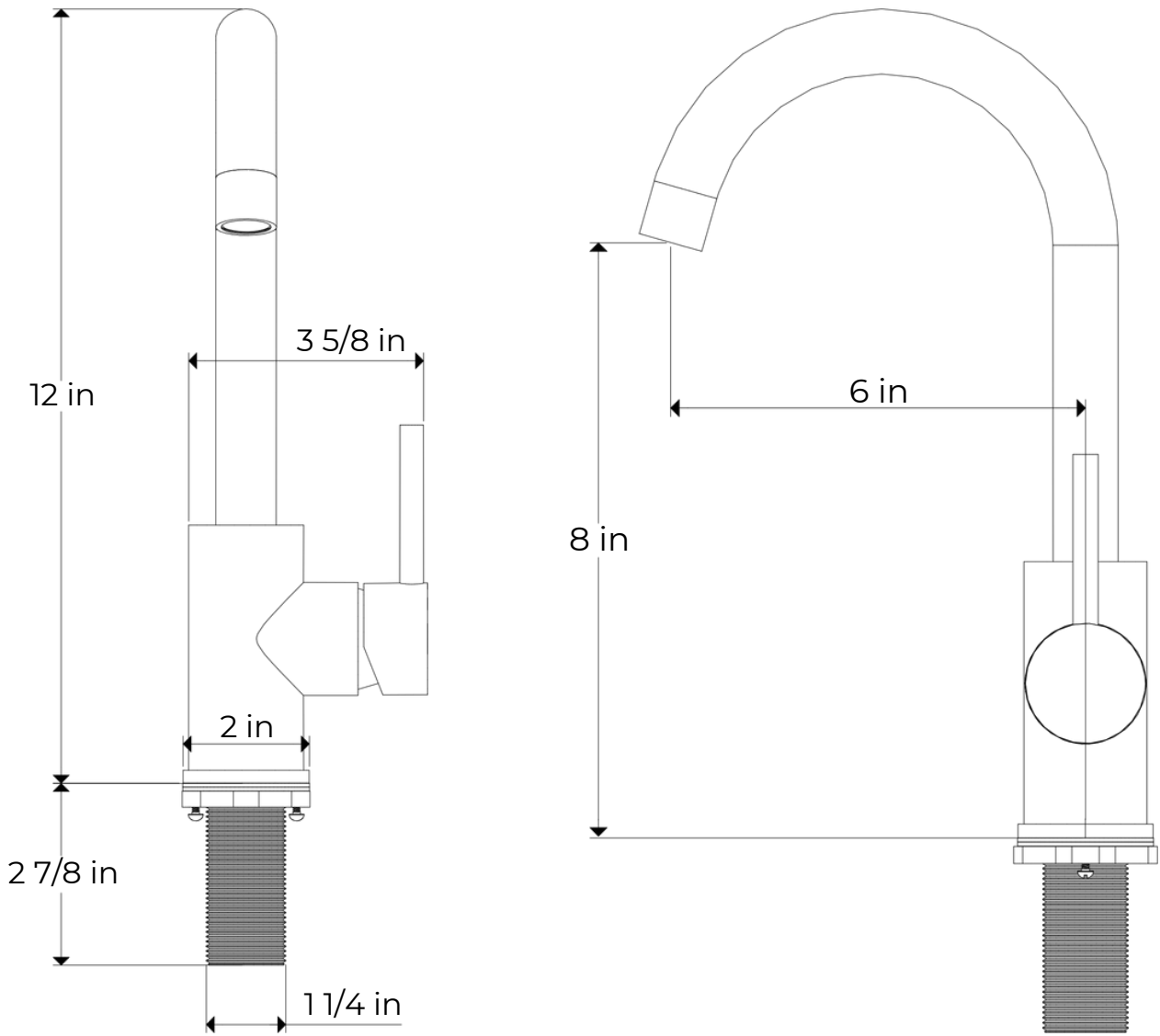
All drawings, manuals, and specifications are the property of Artos and may not be reproduced, distributed, or altered without prior written permission.

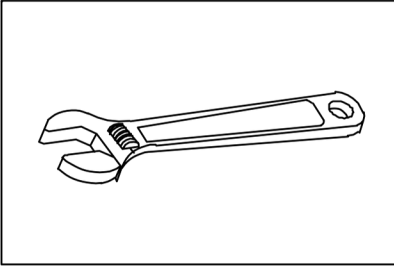
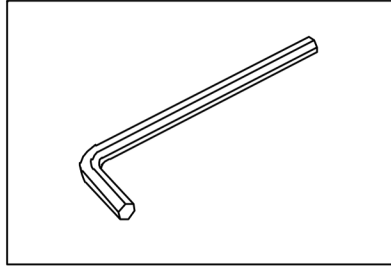
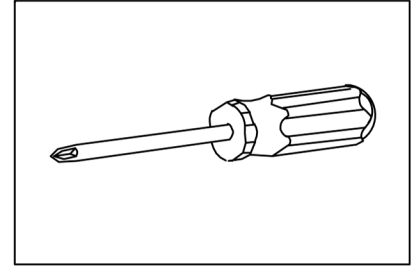
F501-11

Modern Bar Faucet

artos®

PRODUCT DIMENSIONS



TOOLS FOR INSTALLATION**Adjustable wrench****Hexagon wrench****Philips screwdriver****INSTALLATION STEPS**

1. Please check that all components are present.
2. Before installation, ensure that all feed lines are clear of debris and on/off valve is present.
3. Ensure water pressure is between 20-125 PSI (includes combination of hot and cold feed lines).
4. Pictures in the manual are general in content and may not represent exactly your purchased faucet. If you are having difficulties, please contact a professional plumber.
5. If you will be away from home for an extended period, you should shut off the main water supply

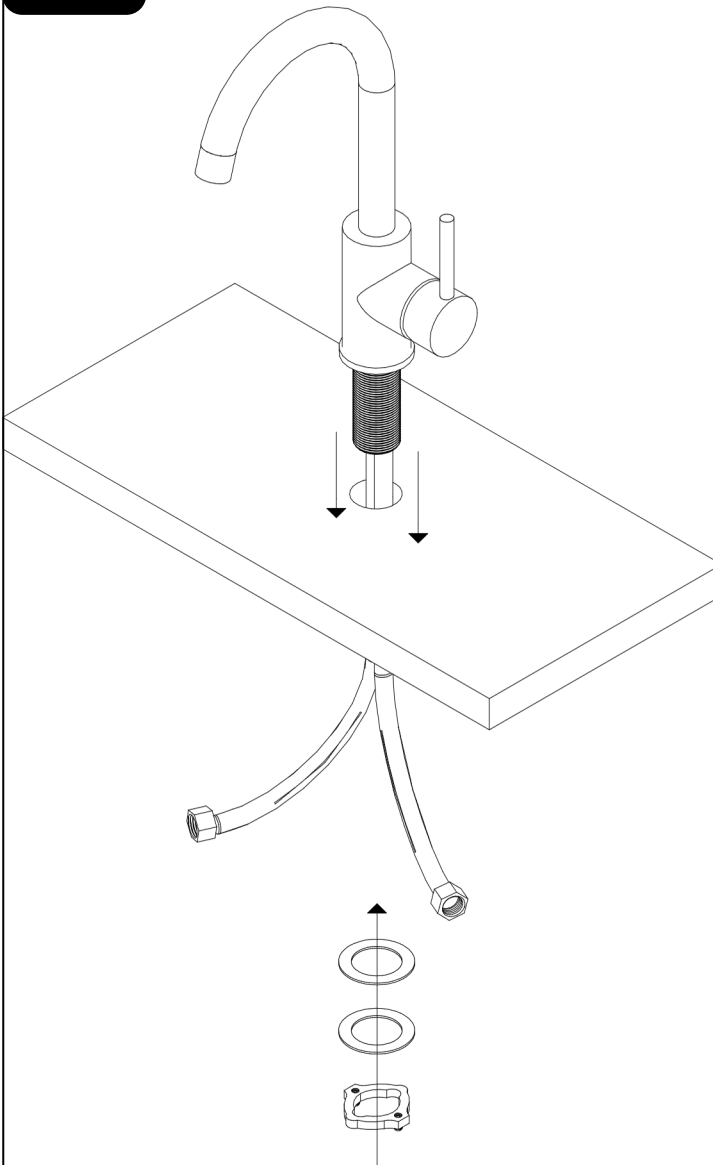
F501-11

Modern Bar Faucet

artos®

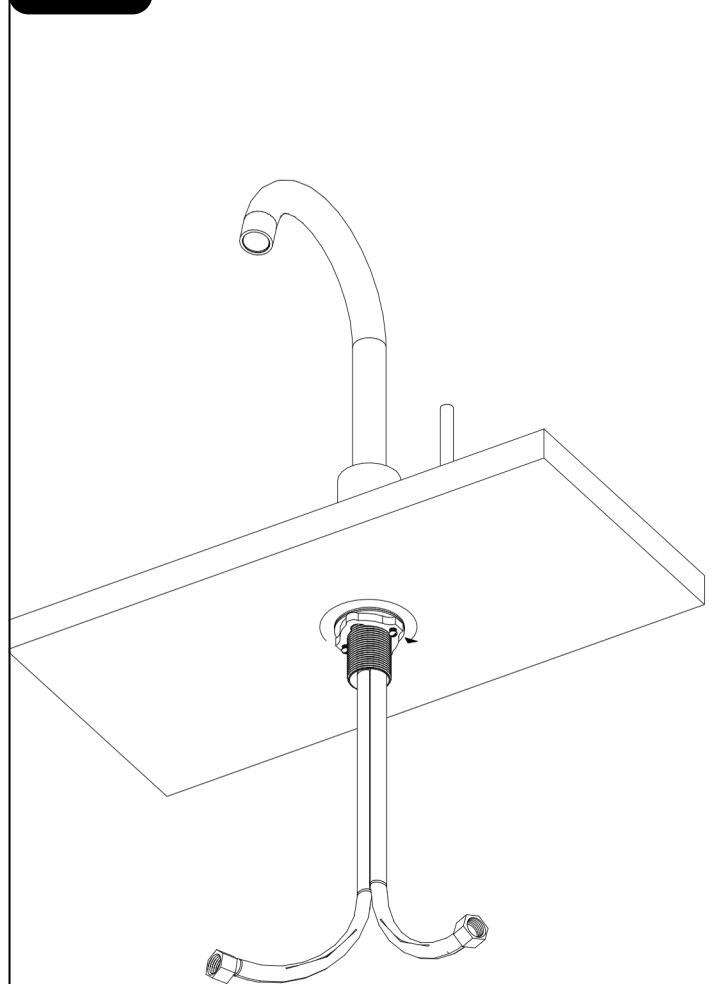
INSTALLATION GUIDE

STEP 1



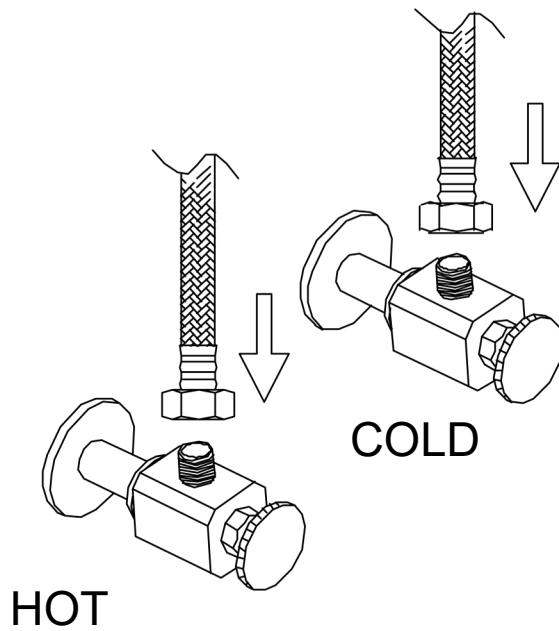
Install the faucet through the center hole, re-install rubber and metal washer, followed by the lock-nut.

STEP 2



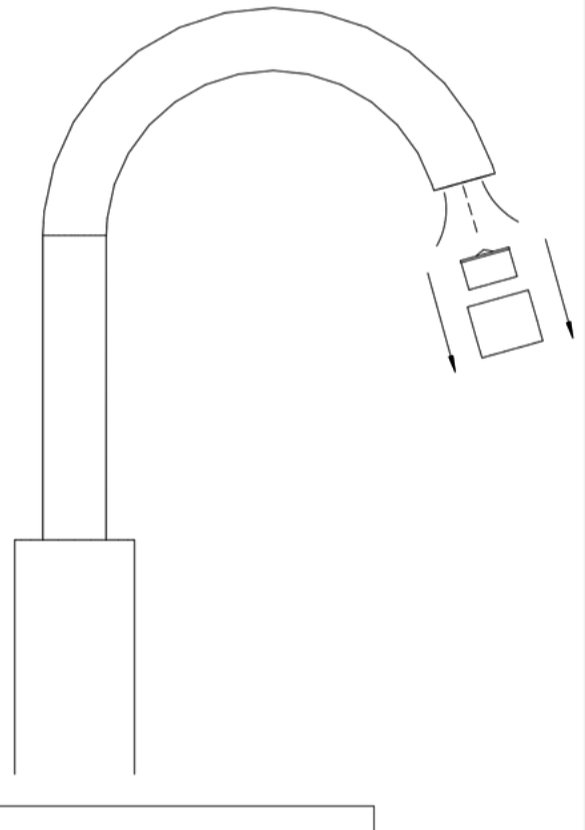
Secure the faucet, hand-tighten the securing nut, and use a screwdriver to tighten the securing nut screws.

STEP 3



Connect the supply hoses to the hot and cold water supply.

STEP 4



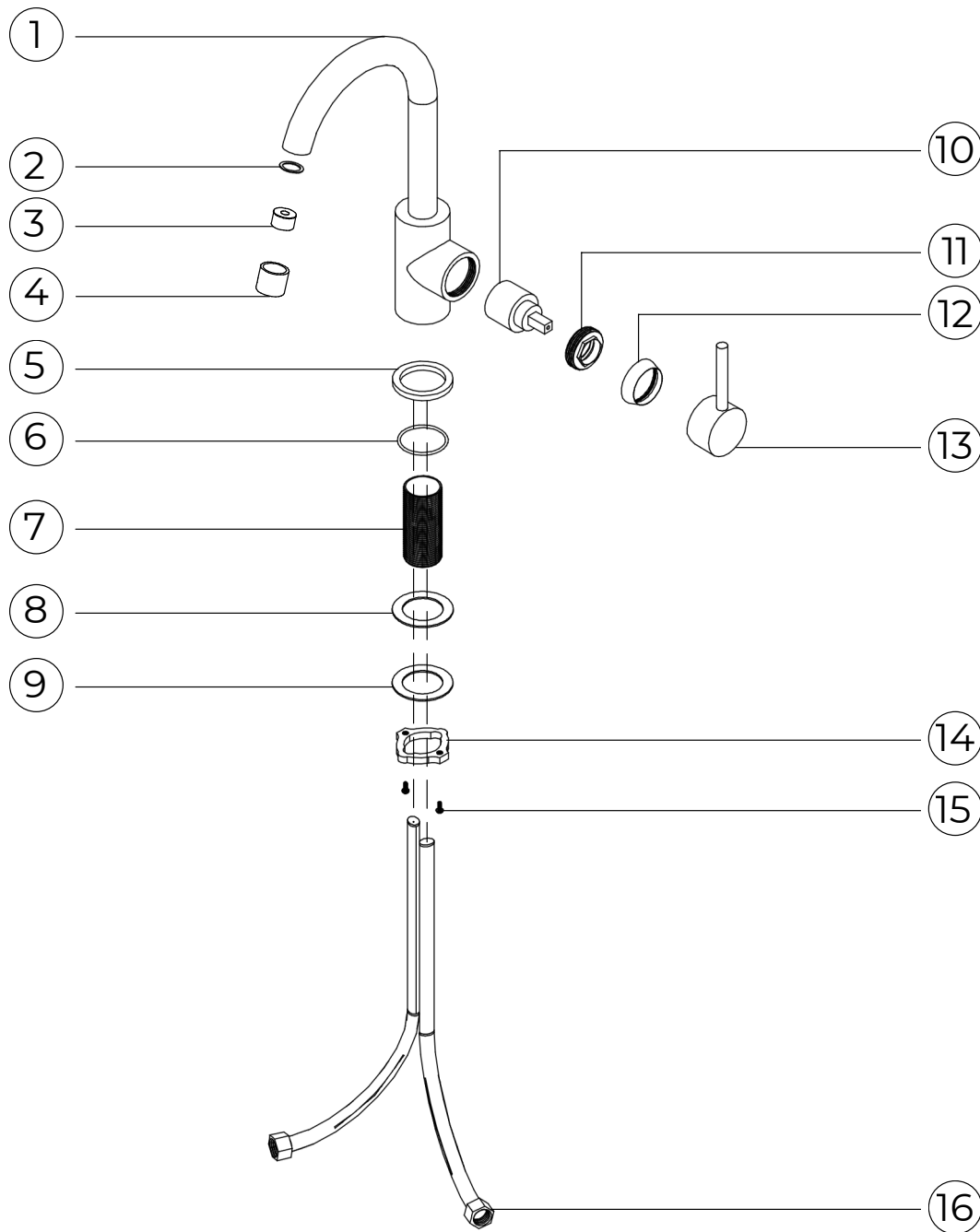
Remove the aerator securing nut and aerator. Turn on the faucet for 1-2 minutes to flush out any debris from the supply lines.

F501-11

Modern Bar Faucet

artos®

PARTS BREAKDOWN



- | | |
|----------------------------|---------------------------|
| ① FAUCET BODY | ⑨ METAL WASHER |
| ② AERATOR WASHER | ⑩ CARTRIDGE |
| ③ AERATOR | ⑪ CARTRIDGE SECURING NUT |
| ④ AERATOR SECURING NUT | ⑫ DRESS RING |
| ⑤ FAUCET ESCUTCHEON | ⑬ HANDLE |
| ⑥ FAUCET ESCUTCHEON O-RING | ⑭ SECURING NUT |
| ⑦ FAUCET SHANK | ⑮ SECURING NUT SCREWS (2) |
| ⑧ RUBBER WASHER | ⑯ SUPPLY HOSES (2) |