

artos[®]

F403-1

INSTALLATION GUIDE

shower rainhead wall mount
squ

BRUSHED NICKEL(BN)



CHROME(CH)



BLACK (BK)



artos[®]

F403-1

OPERATING SPECIFICATIONS

shower rainhead wall mount
squ



FEATURES

Rain Flow
Easy Clean Rubber Nozzles

OPERATING PRESSURE

Minimum: 15 psi
Maximum: 75 psi
Above 90psi, pressure reducer may be necessary

OPERATING TEMPERATURE

Maximum: 176°

FLOW RATE

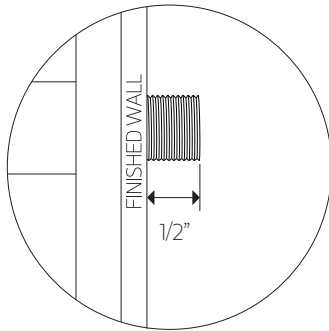
2.0 USGPM

artos[®]

F403-1

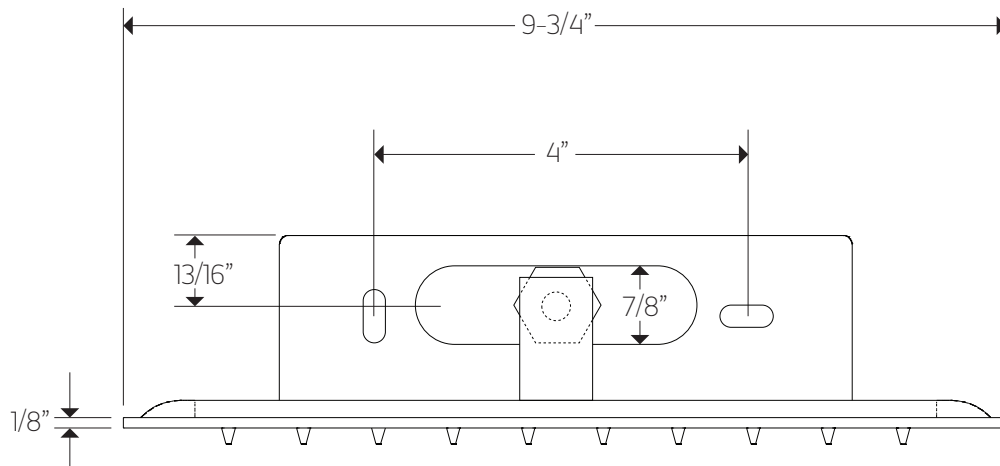
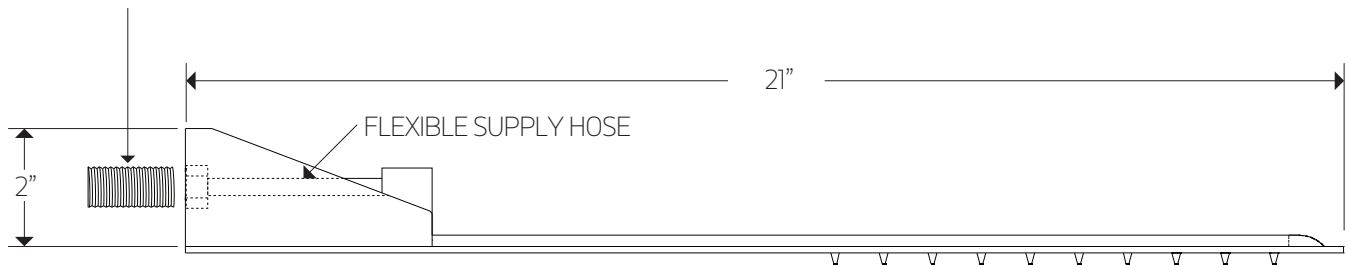
PRODUCT DIMENSIONS

shower rainhead wall mount
squ



MALE NPT CONNECTOR

[THREADS INTO FEMALE FITTING, SET AT 1/2" PAST FINISHED WALL SURFACE]

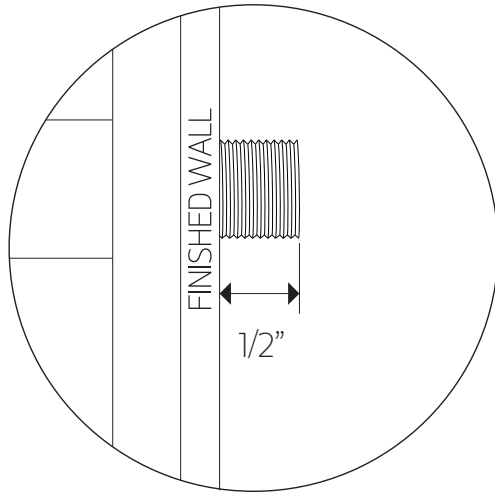


artos[®]

F403-1

shower rainhead wall mount
squ

IMPORTANT PLEASE USE PROVIDED MALE CONNECTOR

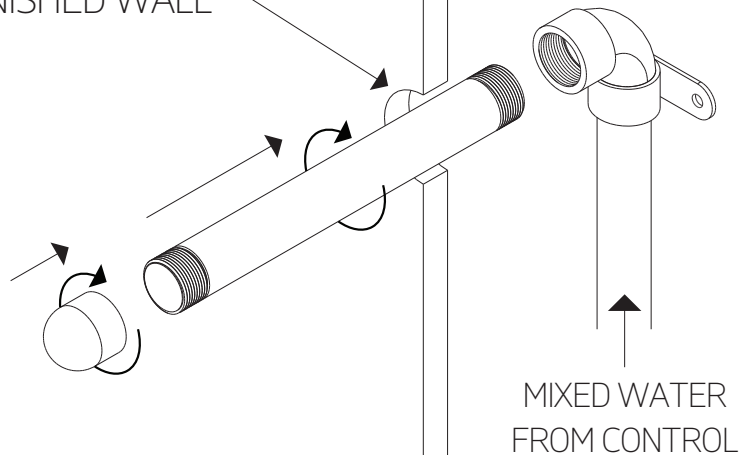


MALE NPT CONNECTOR

[THREADS INTO FEMALE FITTING, SET AT 1/2" PAST FINISHED WALL SURFACE]

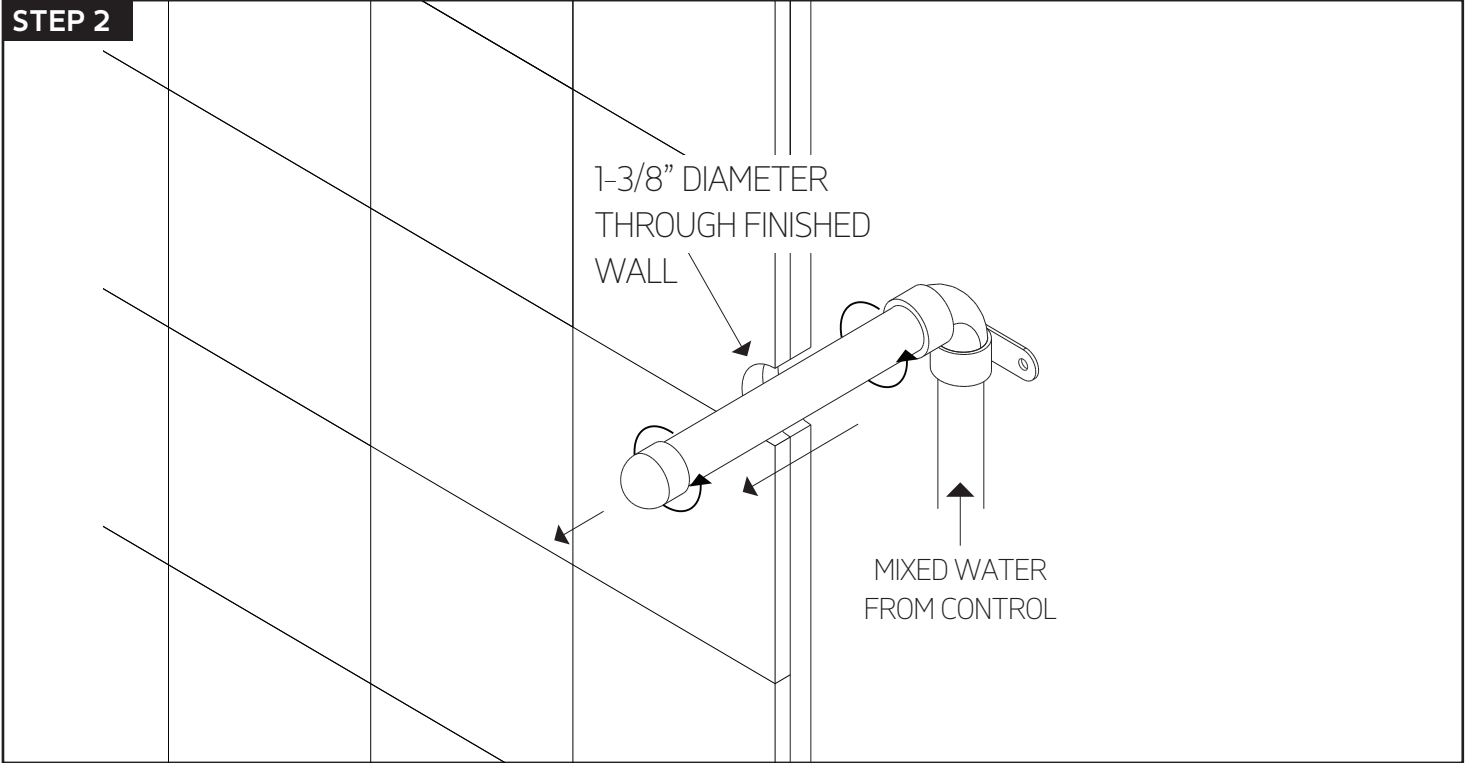
STEP 1

1-3/8" DIAMETER THROUGH
FINISHED WALL

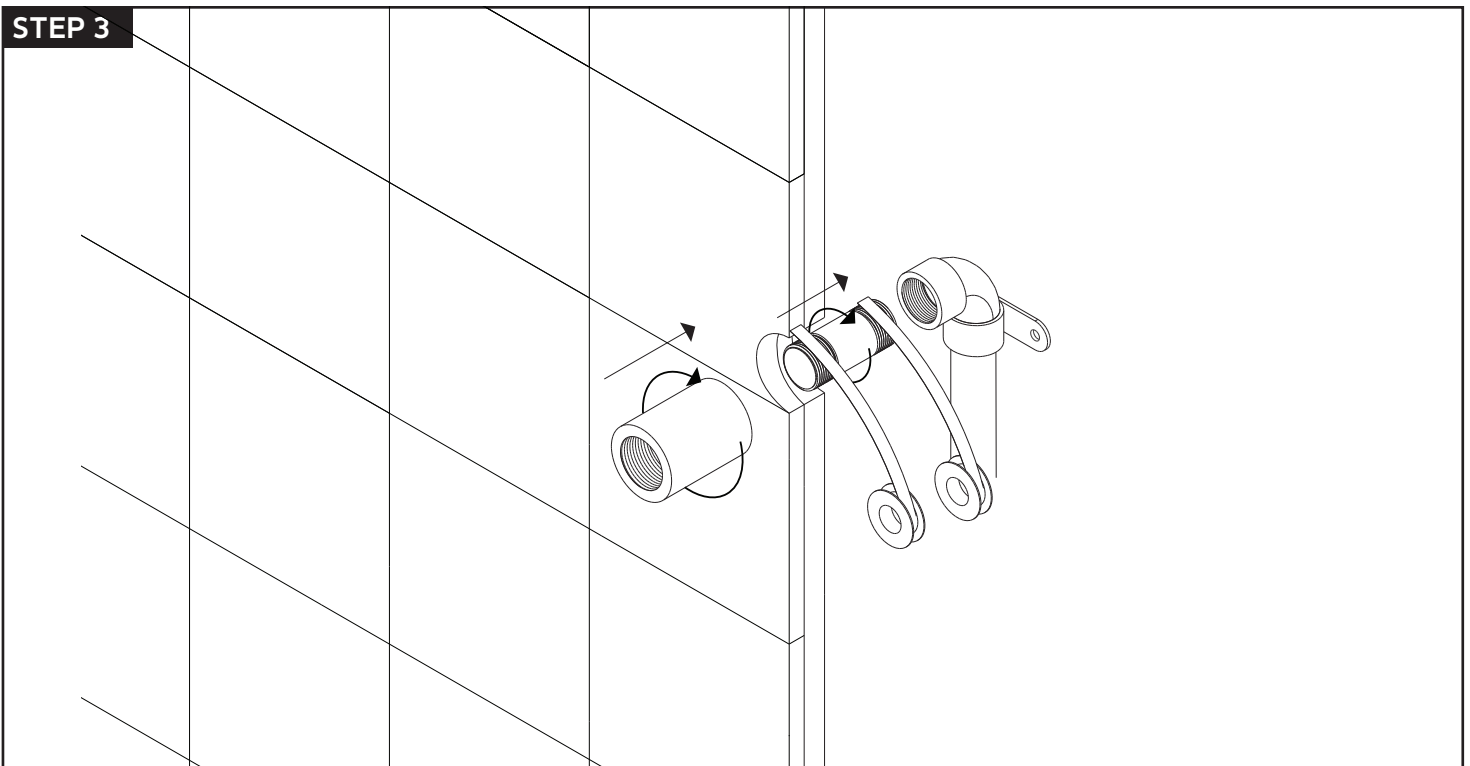


INSTALLATION STEPS

STEP 2



STEP 3

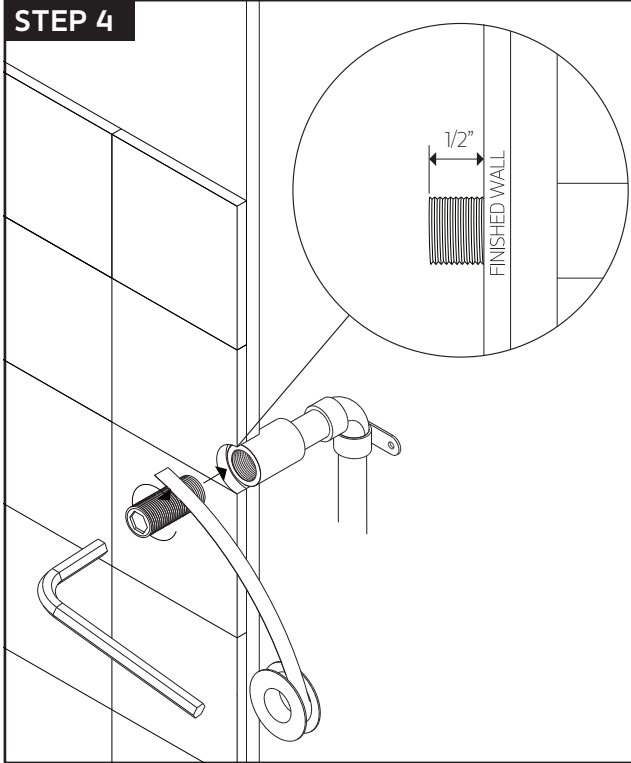


artos[®]

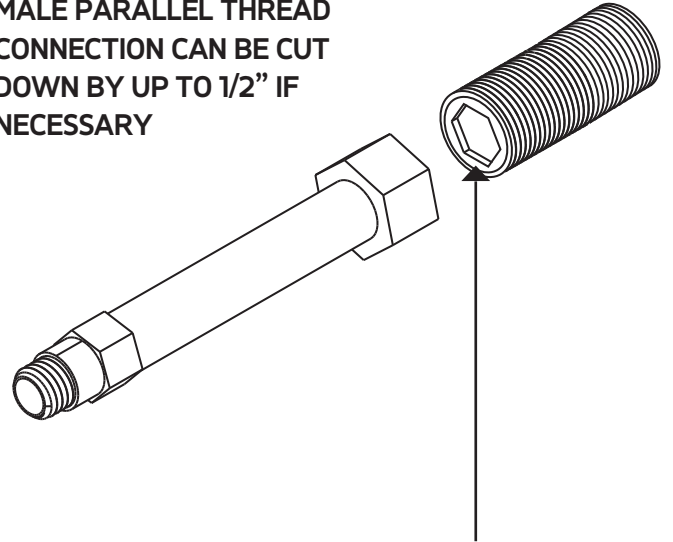
F403-1

shower rainhead wall mount
squ

STEP 4



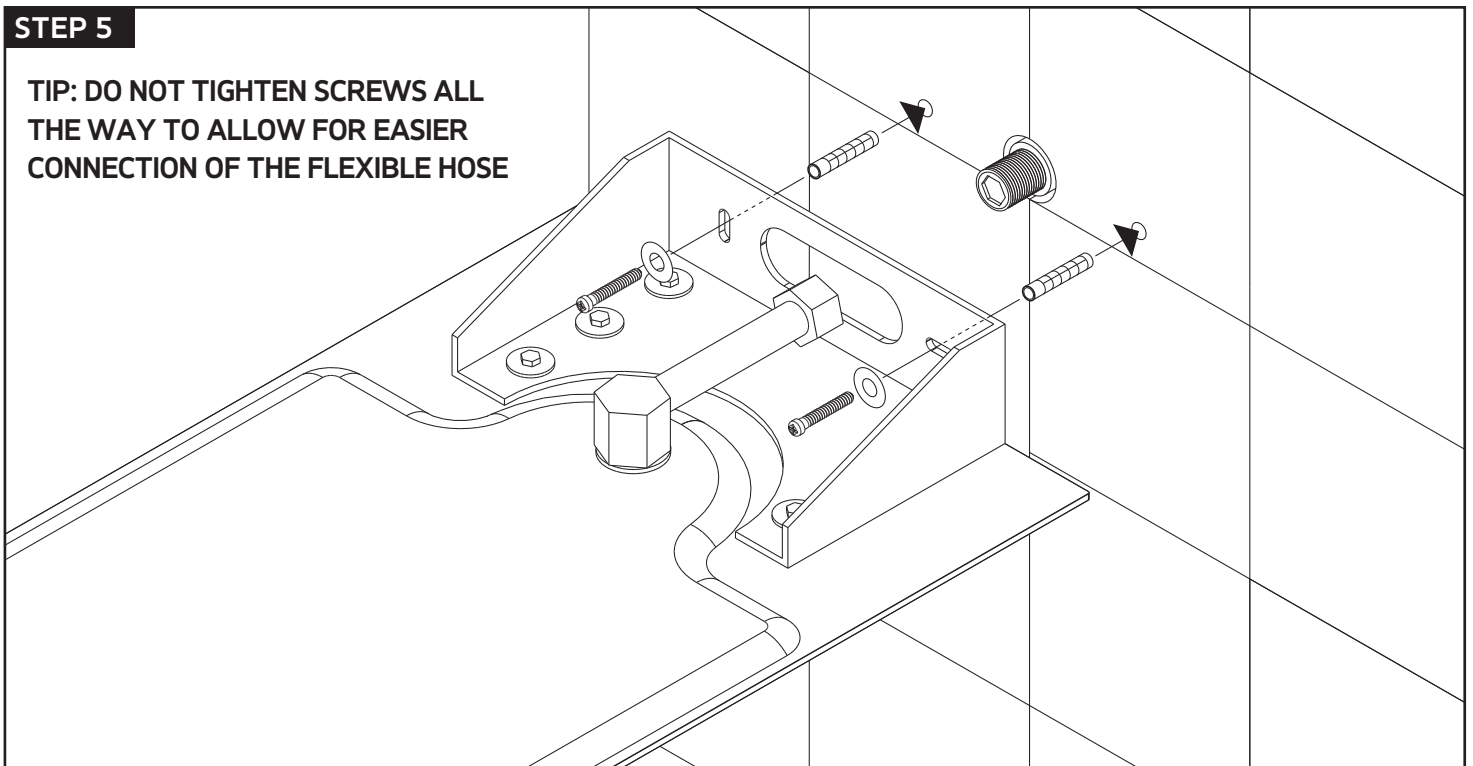
**MALE PARALLEL THREAD
CONNECTION CAN BE CUT
DOWN BY UP TO 1/2" IF
NECESSARY**



**DO NOT CUT OFF FLAT END WITH HEX CENTER,
THIS END CONNECTS TO FLEXIBLE HOSE**

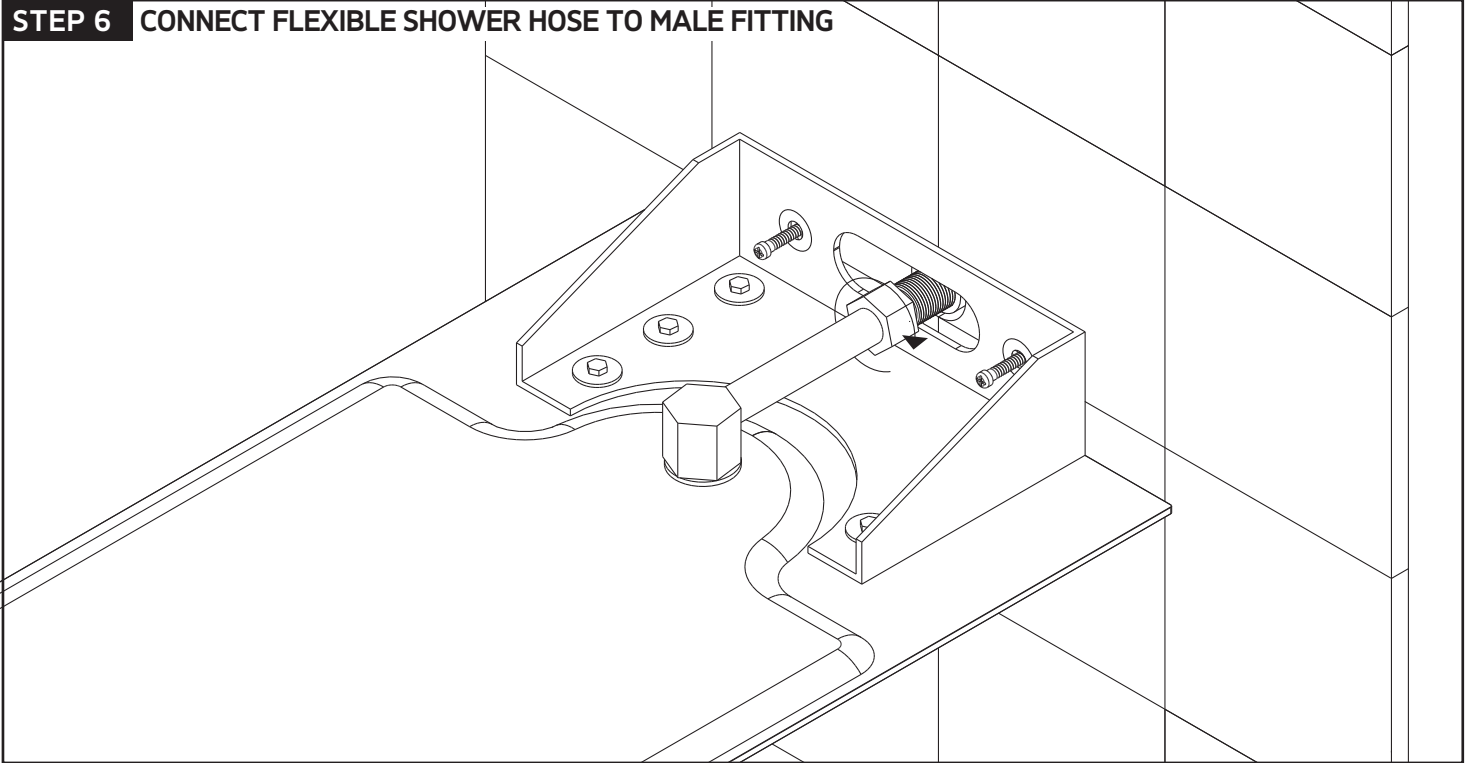
STEP 5

**TIP: DO NOT TIGHTEN SCREWS ALL
THE WAY TO ALLOW FOR EASIER
CONNECTION OF THE FLEXIBLE HOSE**

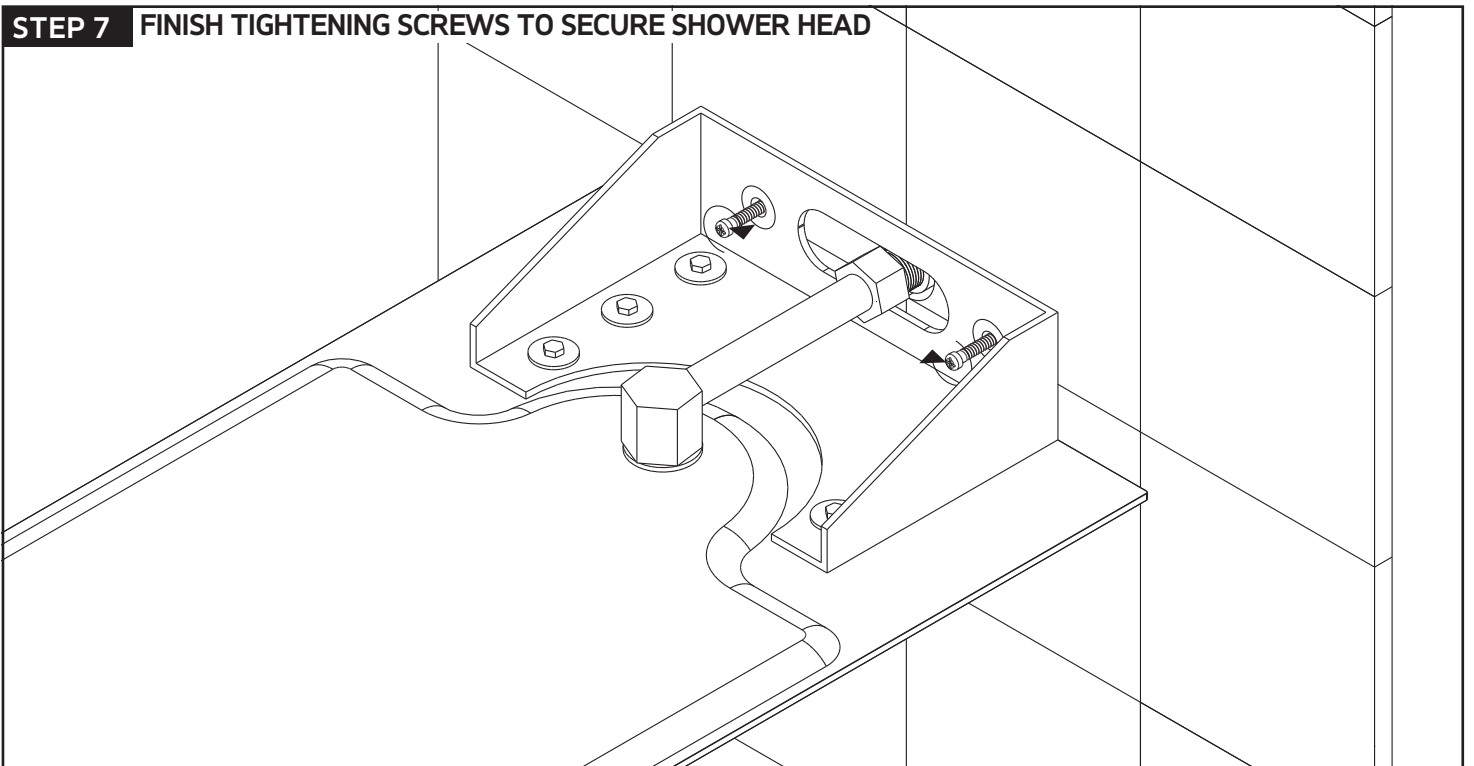


INSTALLATION STEPS

STEP 6 CONNECT FLEXIBLE SHOWER HOSE TO MALE FITTING



STEP 7 FINISH TIGHTENING SCREWS TO SECURE SHOWER HEAD

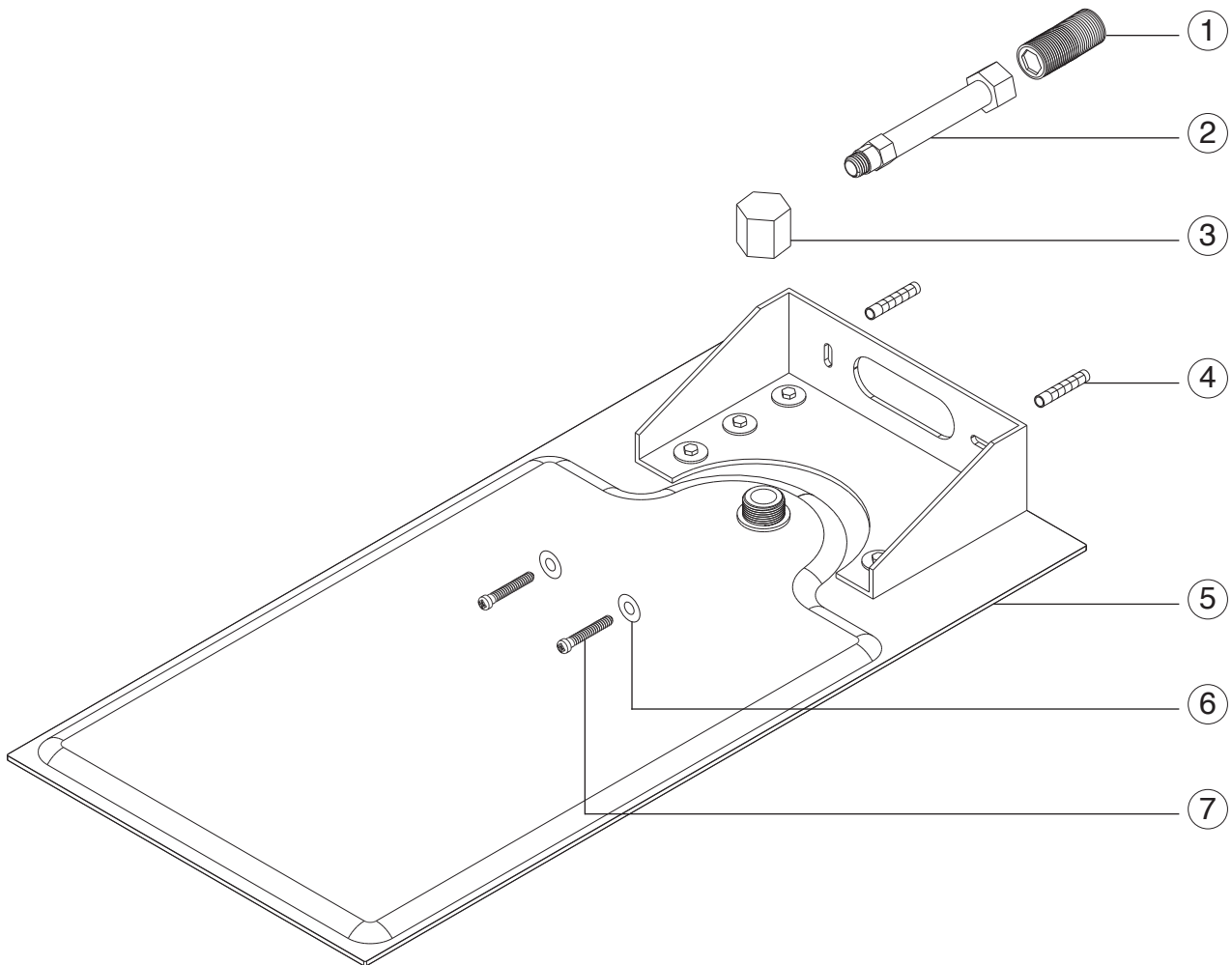


artos[®]

F403-1

PARTS BREAKDOWN

shower rainhead wall mount
squ



- ① MALE CONNECTOR
- ② SUPPLY HOSE
- ③ INLET NUT
- ④ ANCHOR(2)
- ⑤ SHOWER HEAD
- ⑥ WASHER(2)
- ⑦ SCREW(2)