

artos[®]

F402-9

INSTALLATION GUIDE

3-hole wall mount tub
filler square

BRUSHED NICKEL(BN)



CHROME(CH)



artos[®]

F402-9

3-hole wall mount tub
filler square

OPERATING SPECIFICATIONS

for associated valves | F906A-V0



OPERATING PRESSURE

Minimum: 15 psi
Maximum: 125 psi

FLOW CAPACITY

5.6USGPM@60 psi (each valve)
TOTAL= 11.2USGPM

INLET/OUTLET

1/2" Male NPT

STANDARDS

ASSE 1016.ASME A112.18.1/CSA B123.1 Certified

CODES

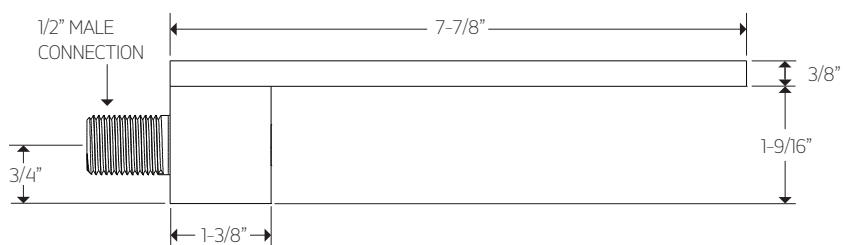
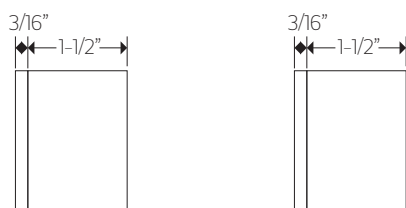
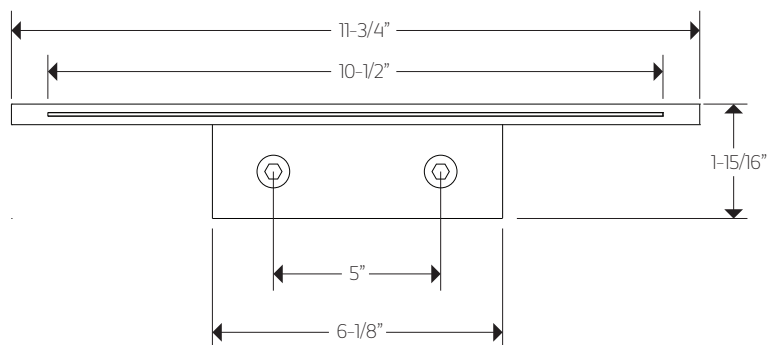
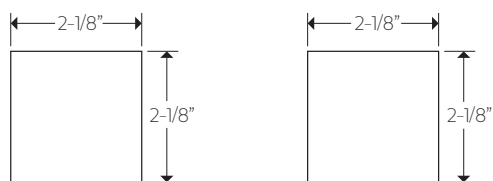
CUPC Approved

artos[®]

F402-9

PRODUCT DIMENSIONS

3-hole wall mount tub
filler square



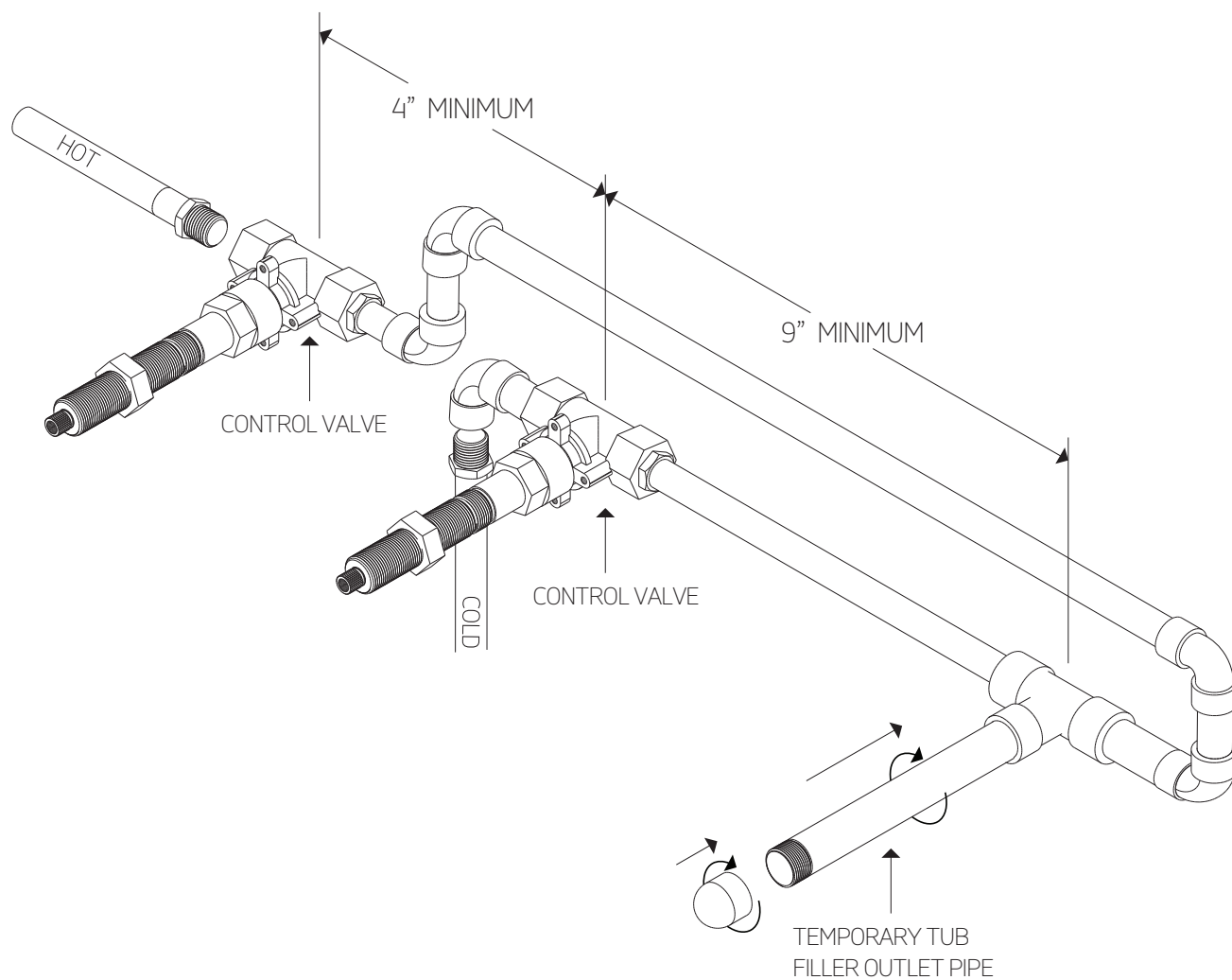
artos[®]

F402-9

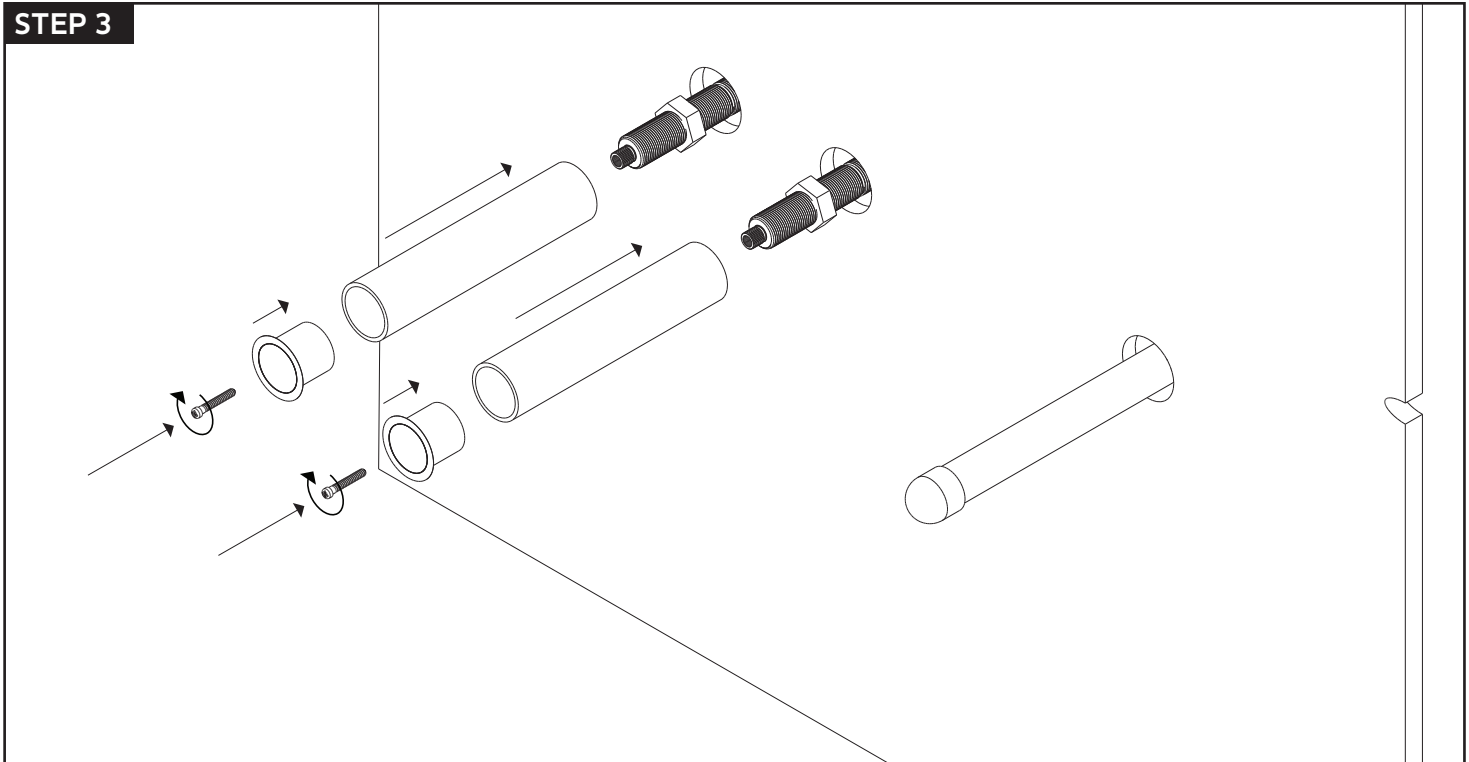
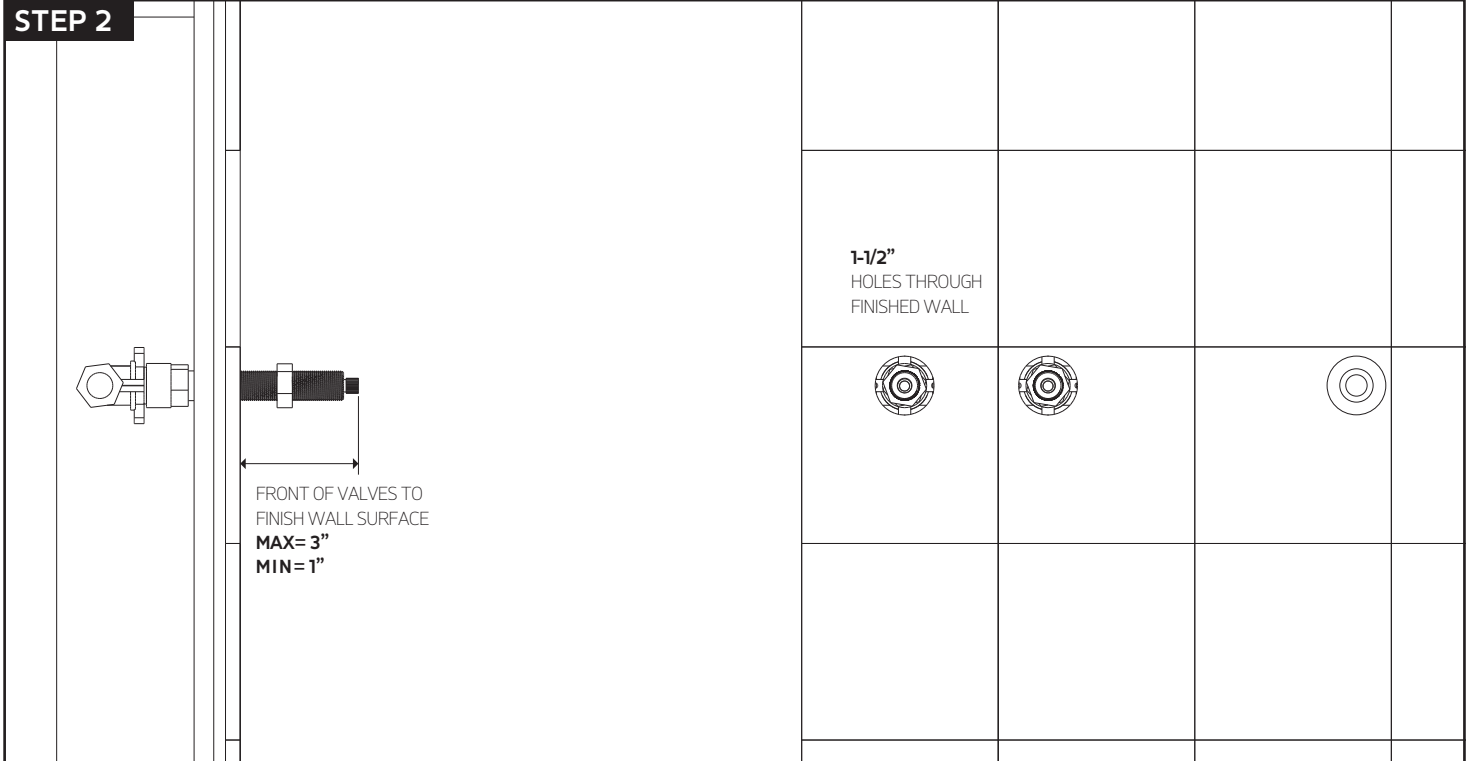
3-hole wall mount tub
filler square

STEP 1

IMPORTANT: IF USING HEAT NEAR THE VALVE BODY PLEASE REMOVE CARTRIDGE.
***VALVE AND TUB FILLER PLACEMENTS ARE SUGGESTIONS**



INSTALLATION STEPS

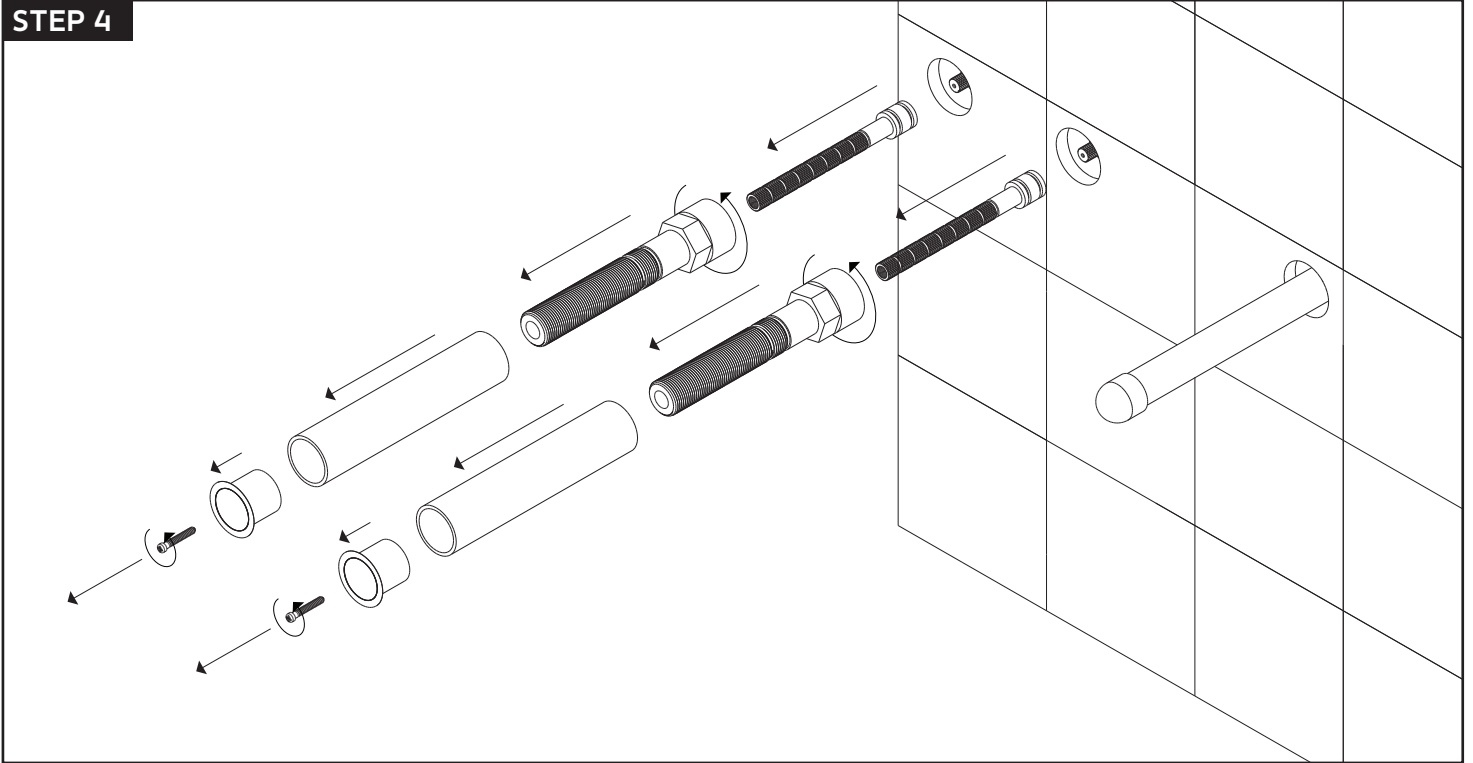


artos[®]

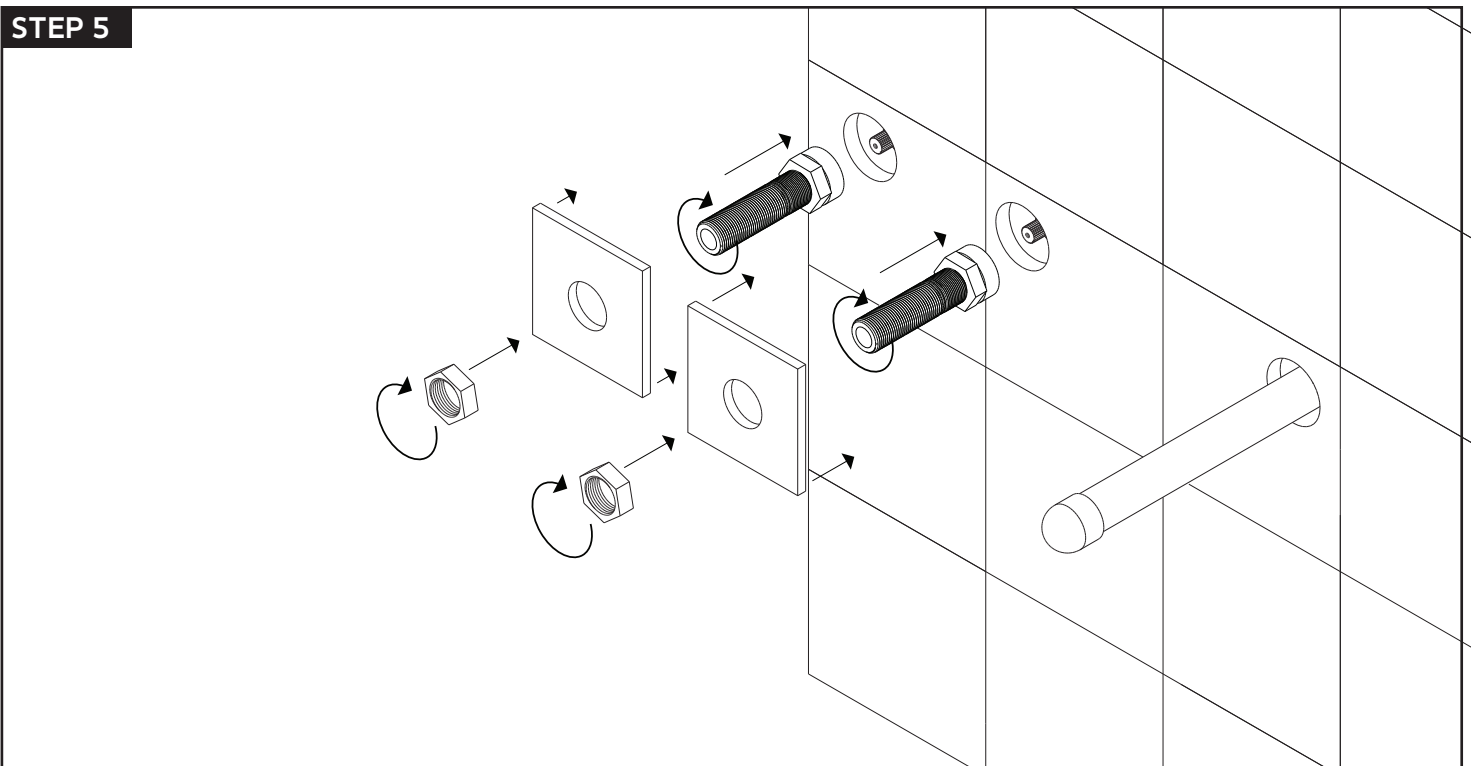
F402-9

3-hole wall mount tub filler
squ

STEP 4

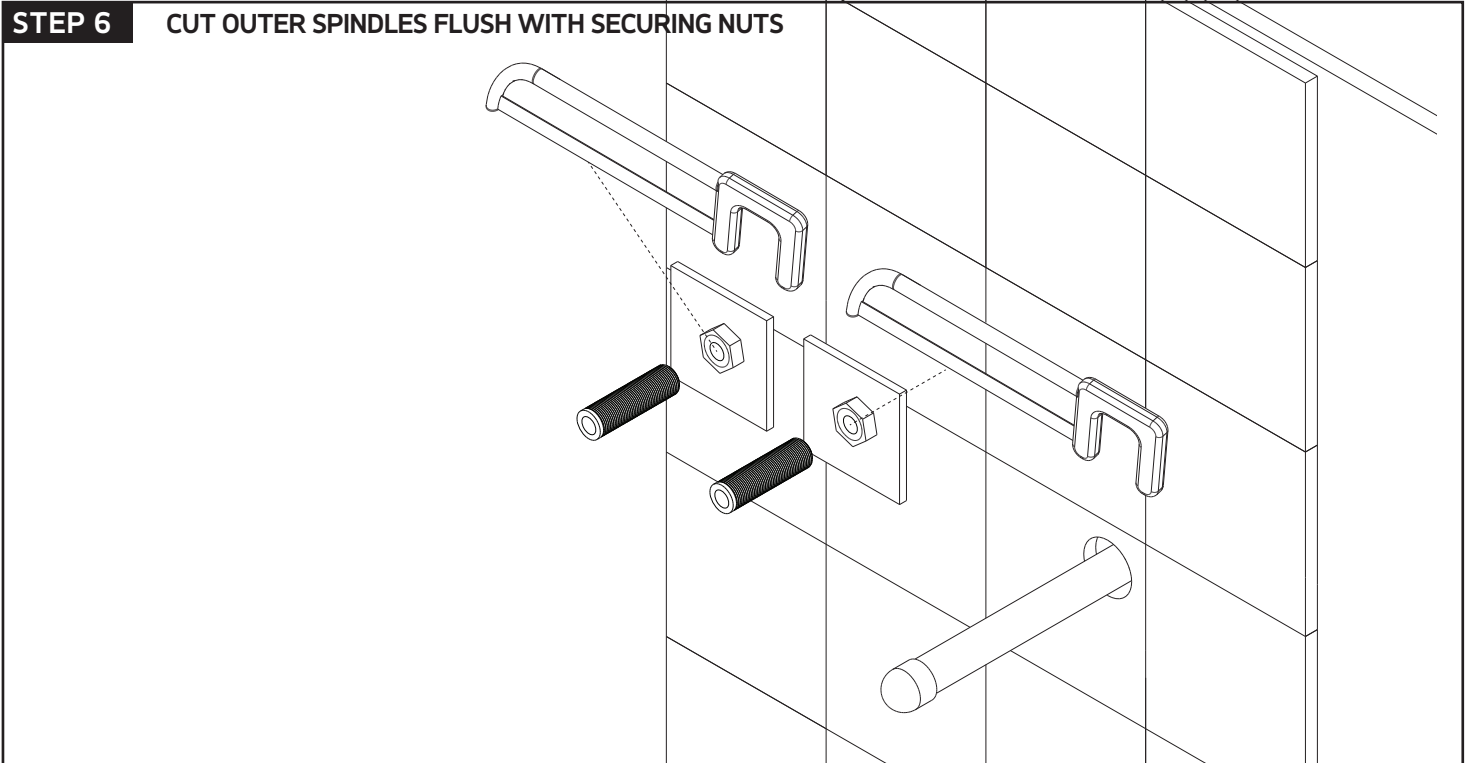


STEP 5

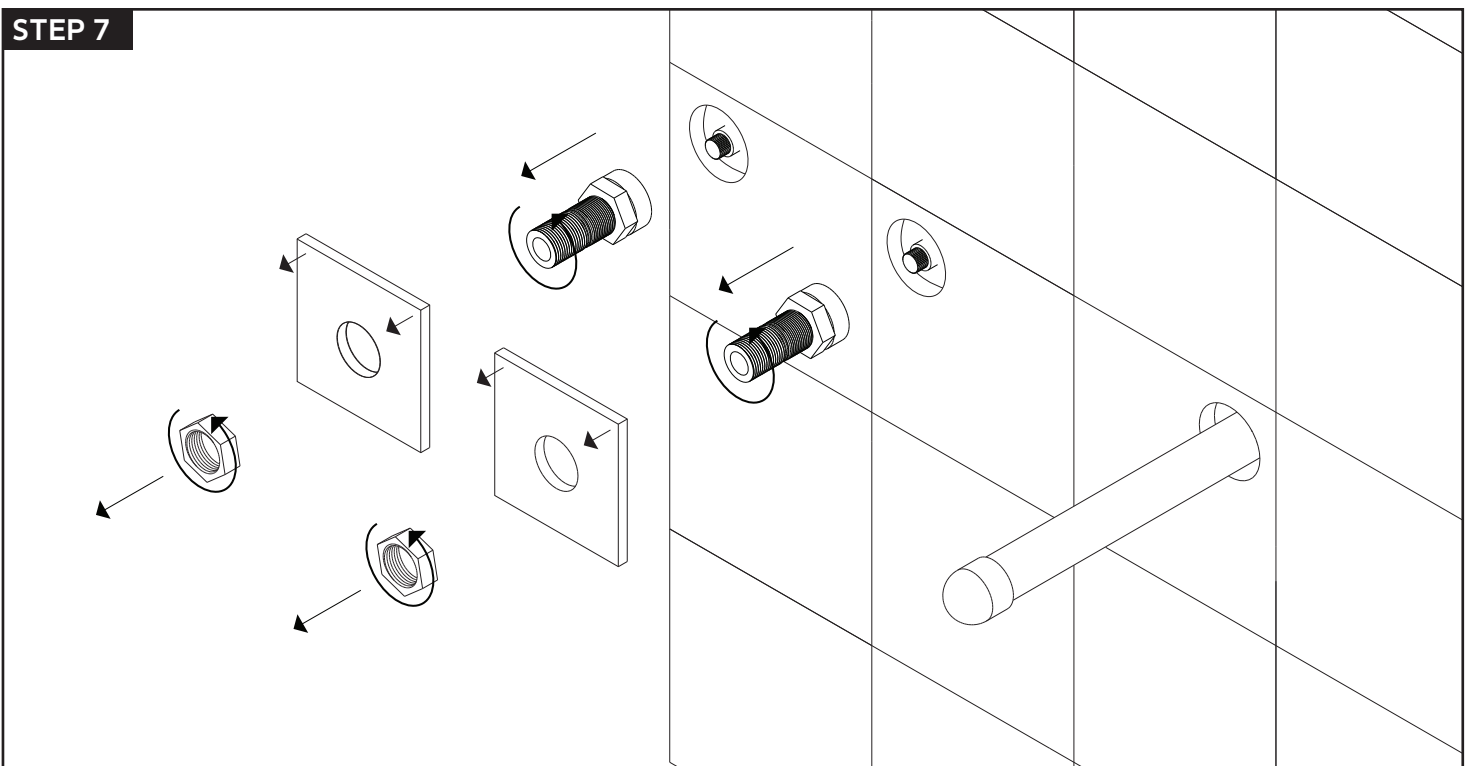


INSTALLATION STEPS

STEP 6 CUT OUTER SPINDLES FLUSH WITH SECURING NUTS



STEP 7

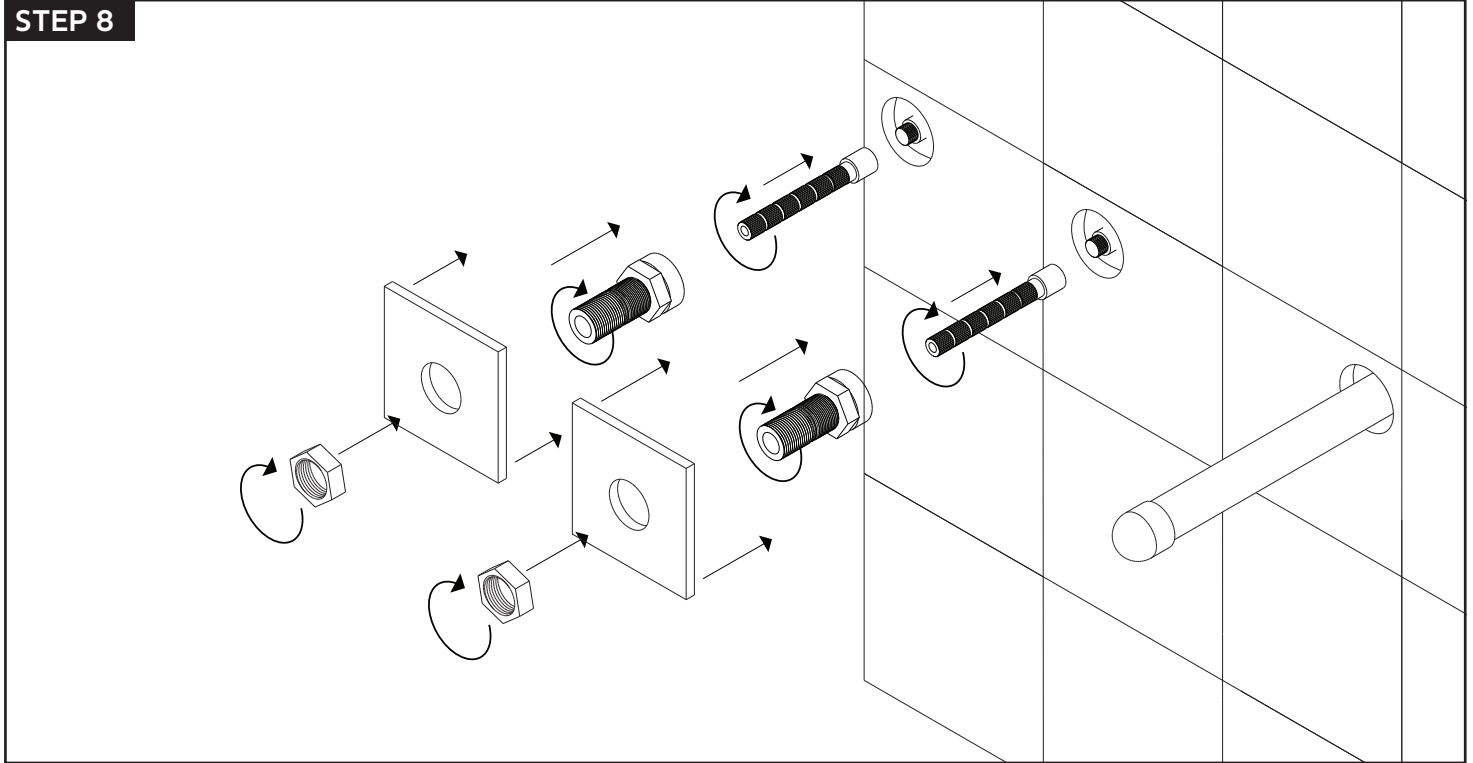


artos[®]

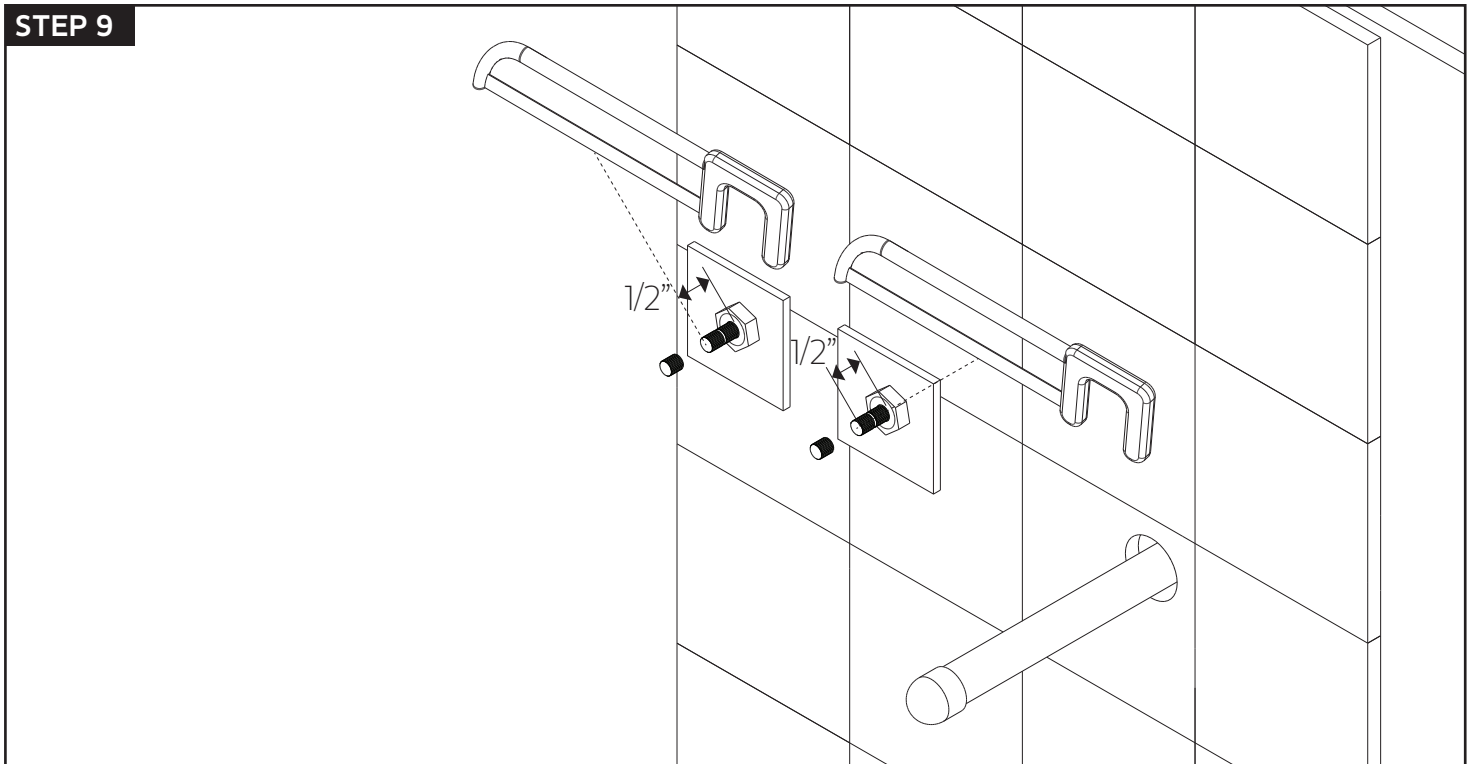
F402-9

3-hole wall mount tub filler
squ

STEP 8

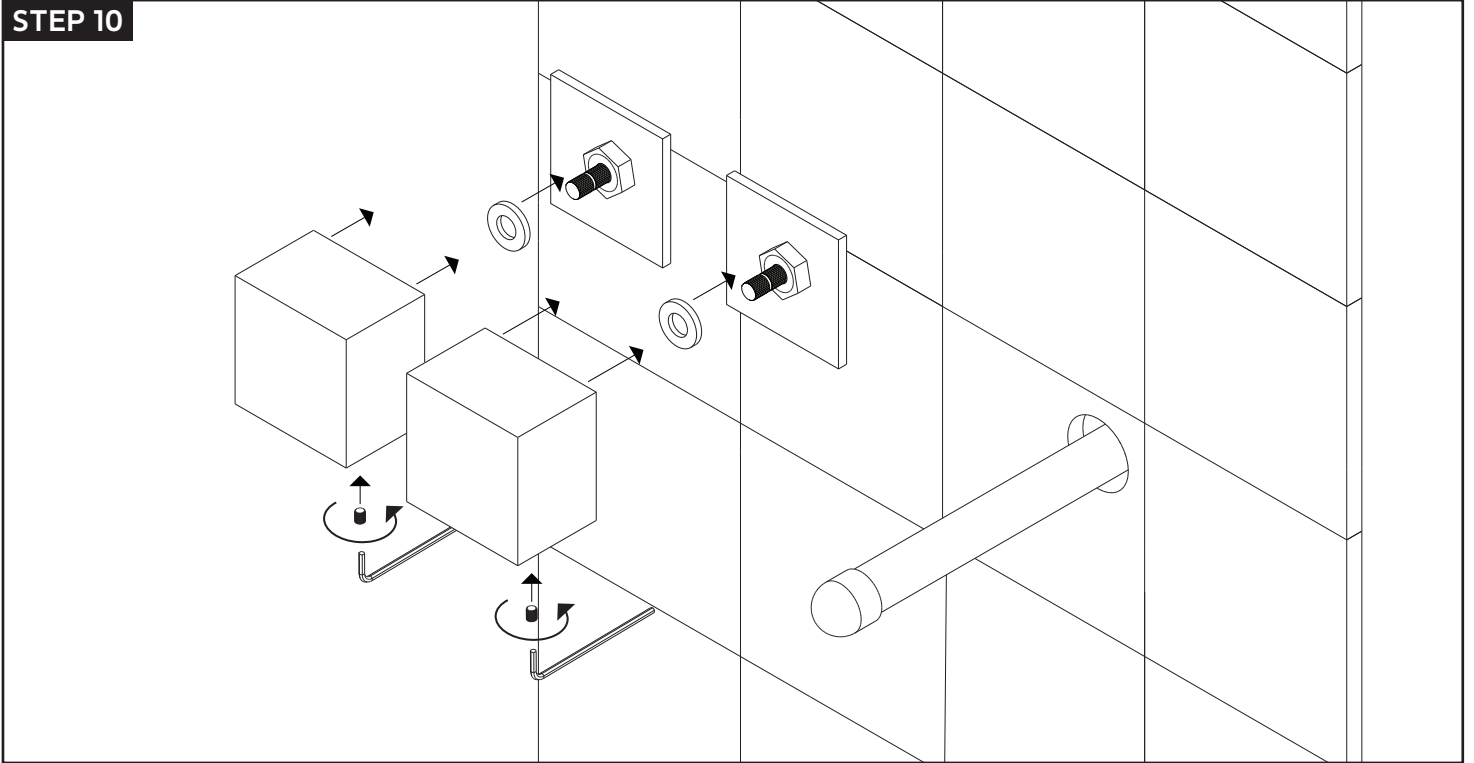


STEP 9

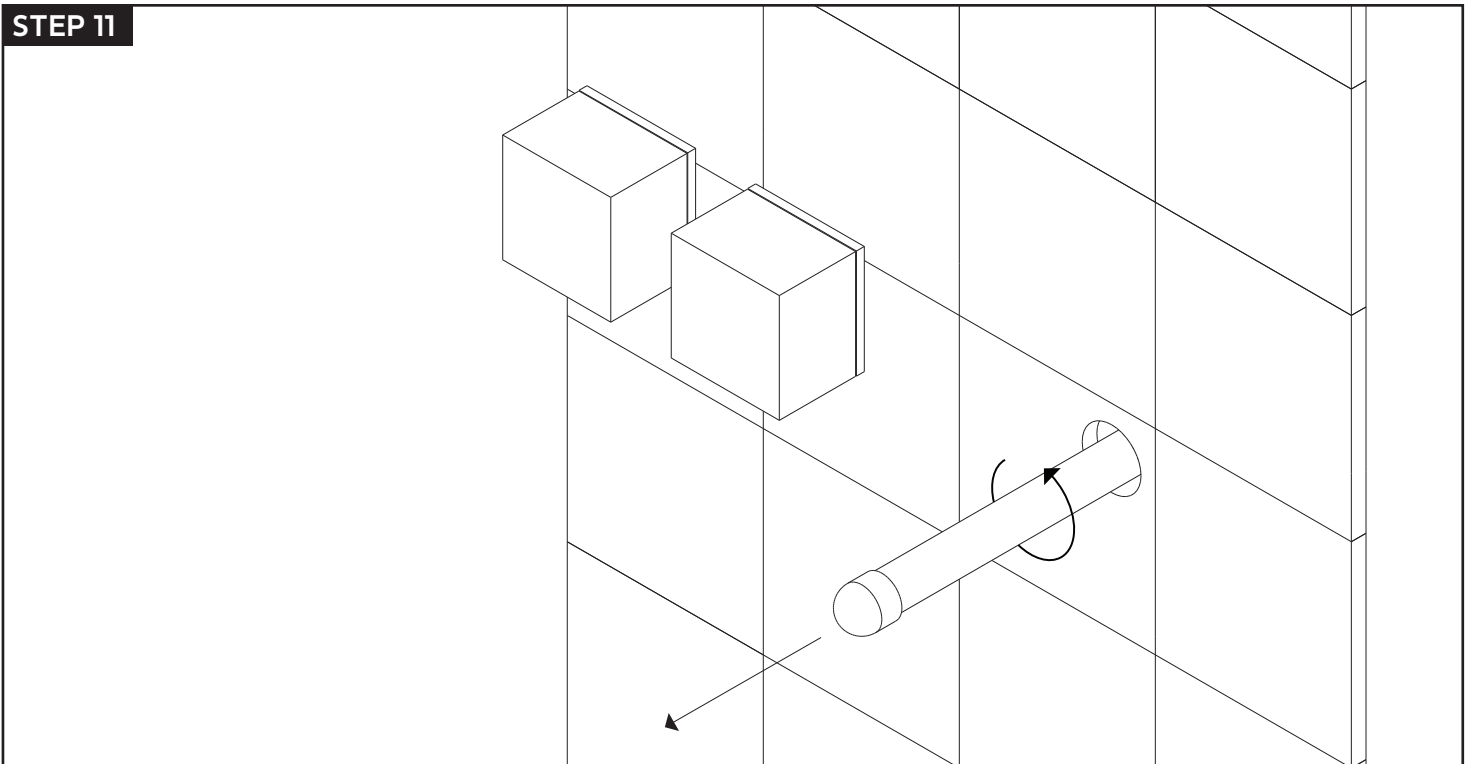


INSTALLATION STEPS

STEP 10



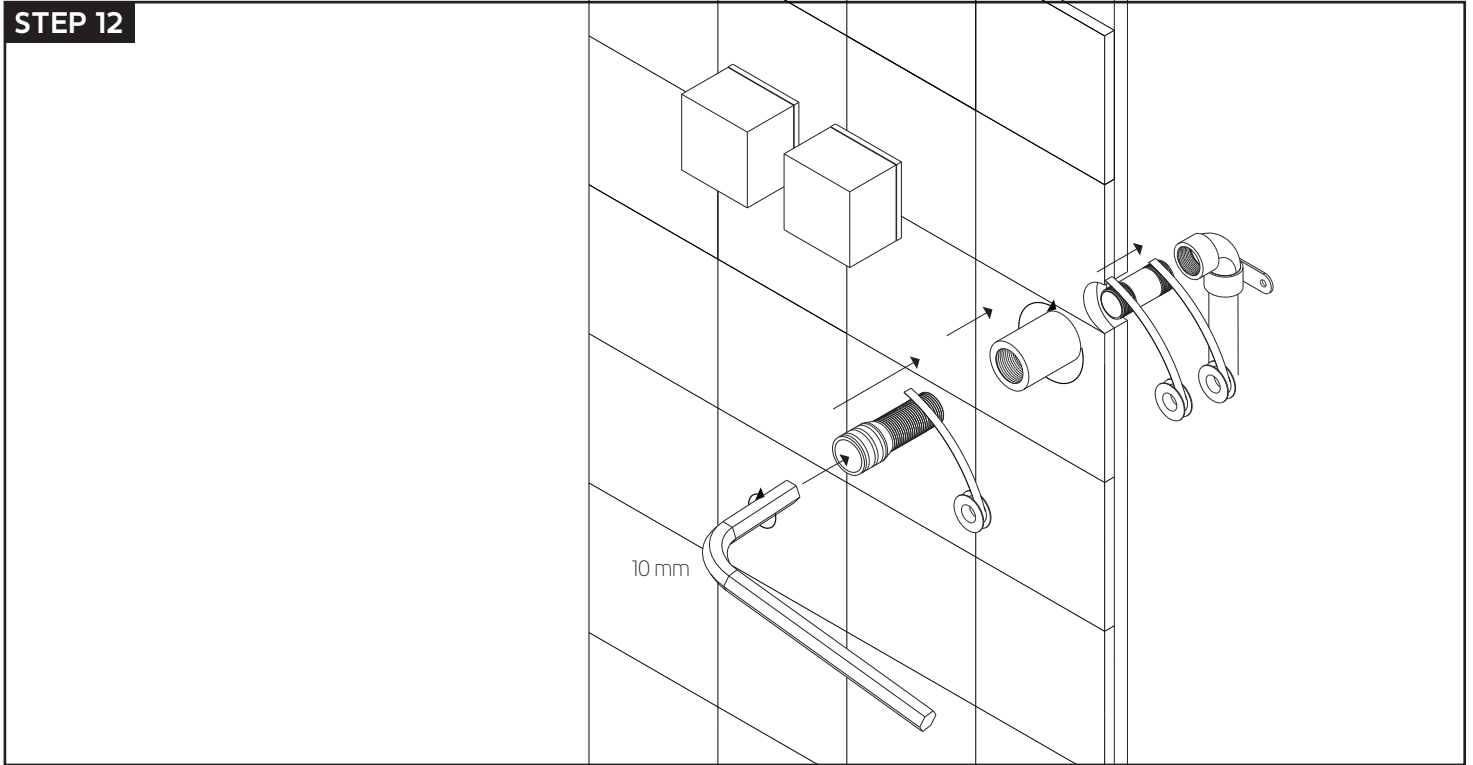
STEP 11



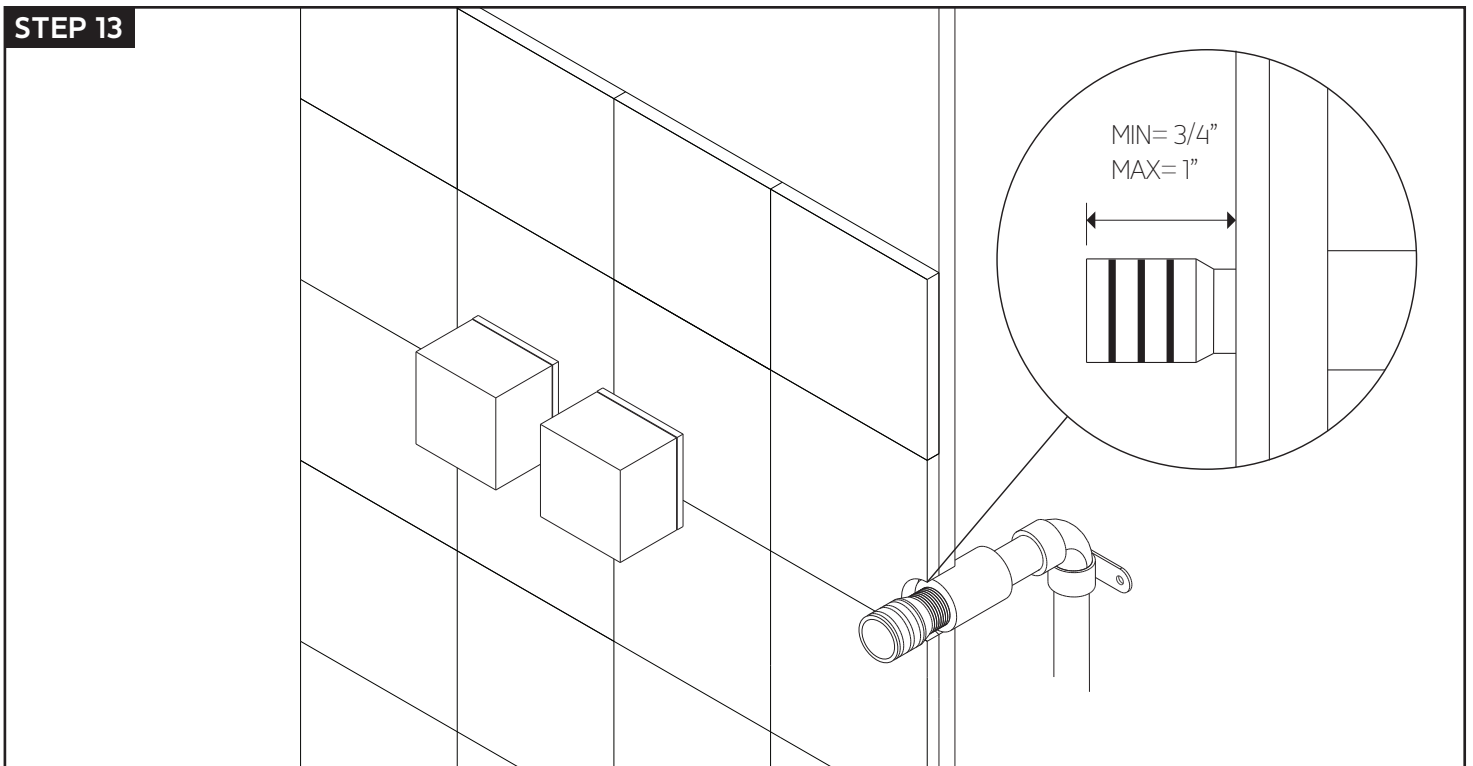
F402-9

3-hole wall mount tub filler
squ

STEP 12

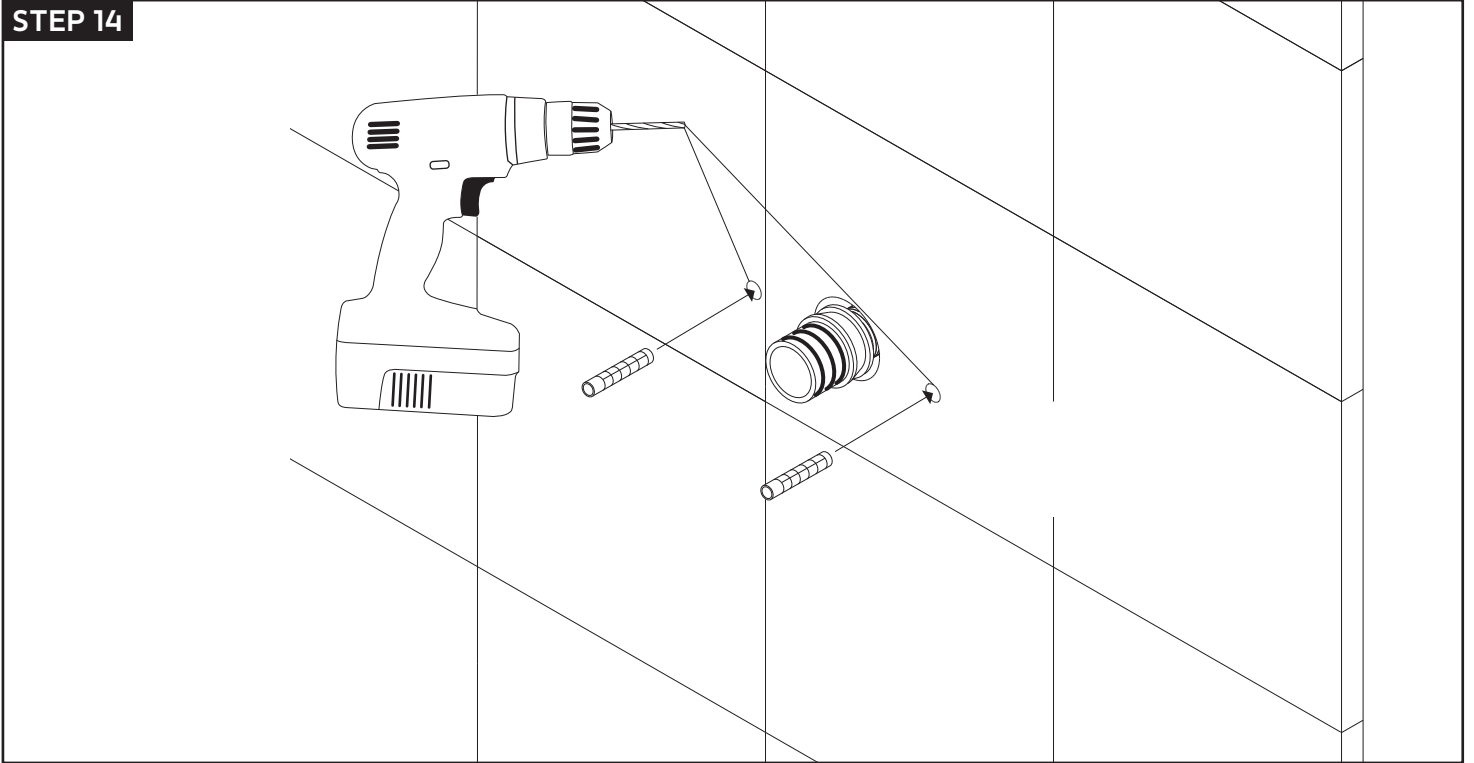


STEP 13

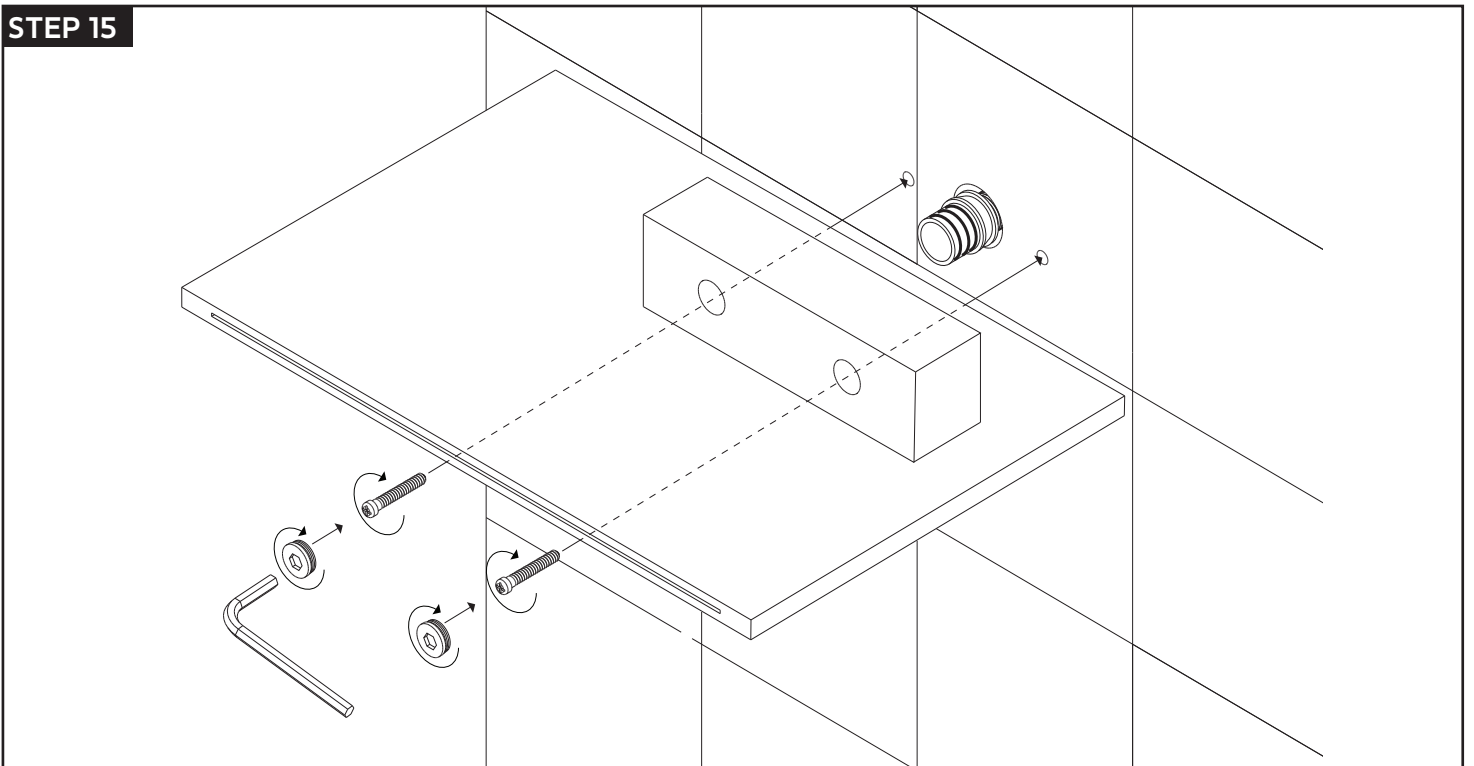


INSTALLATION STEPS

STEP 14

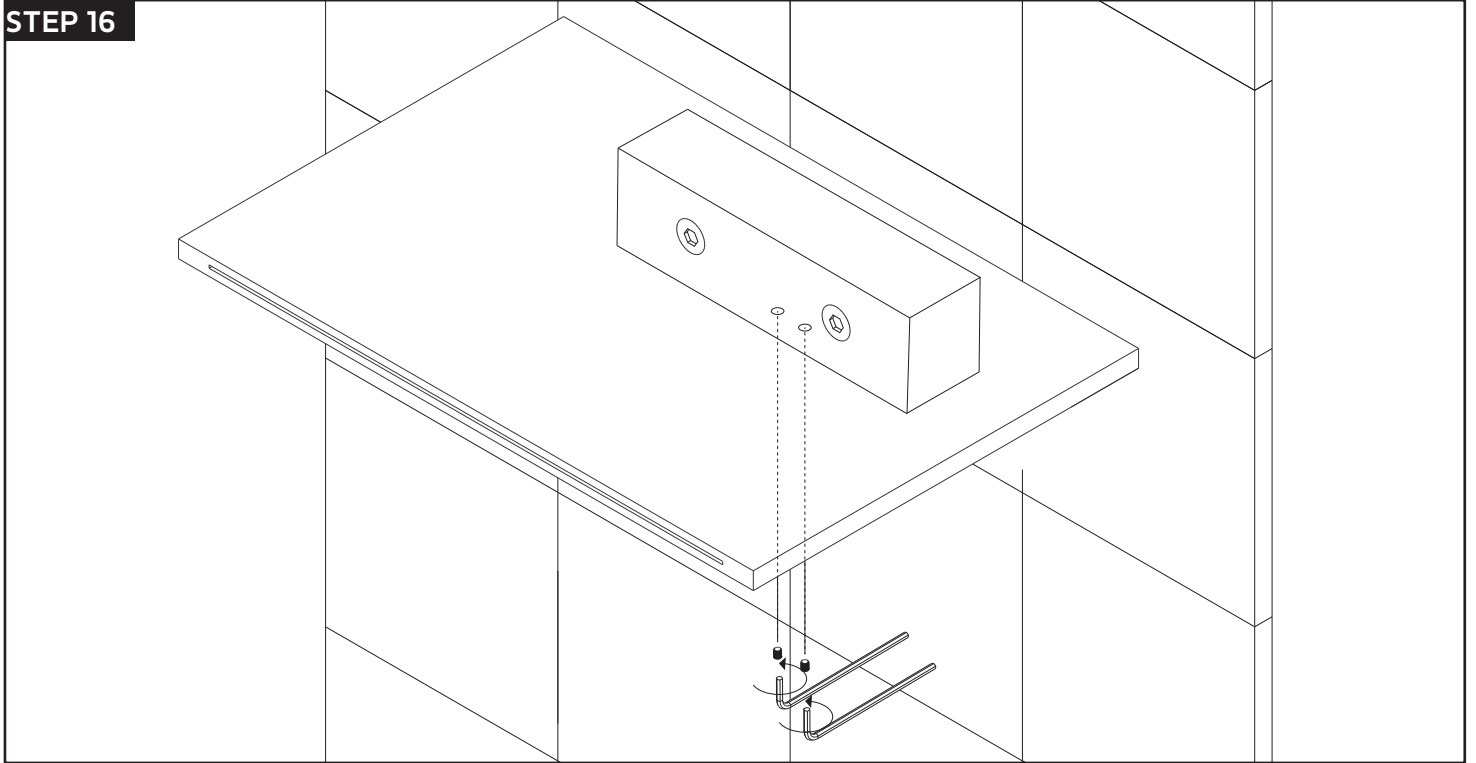


STEP 15



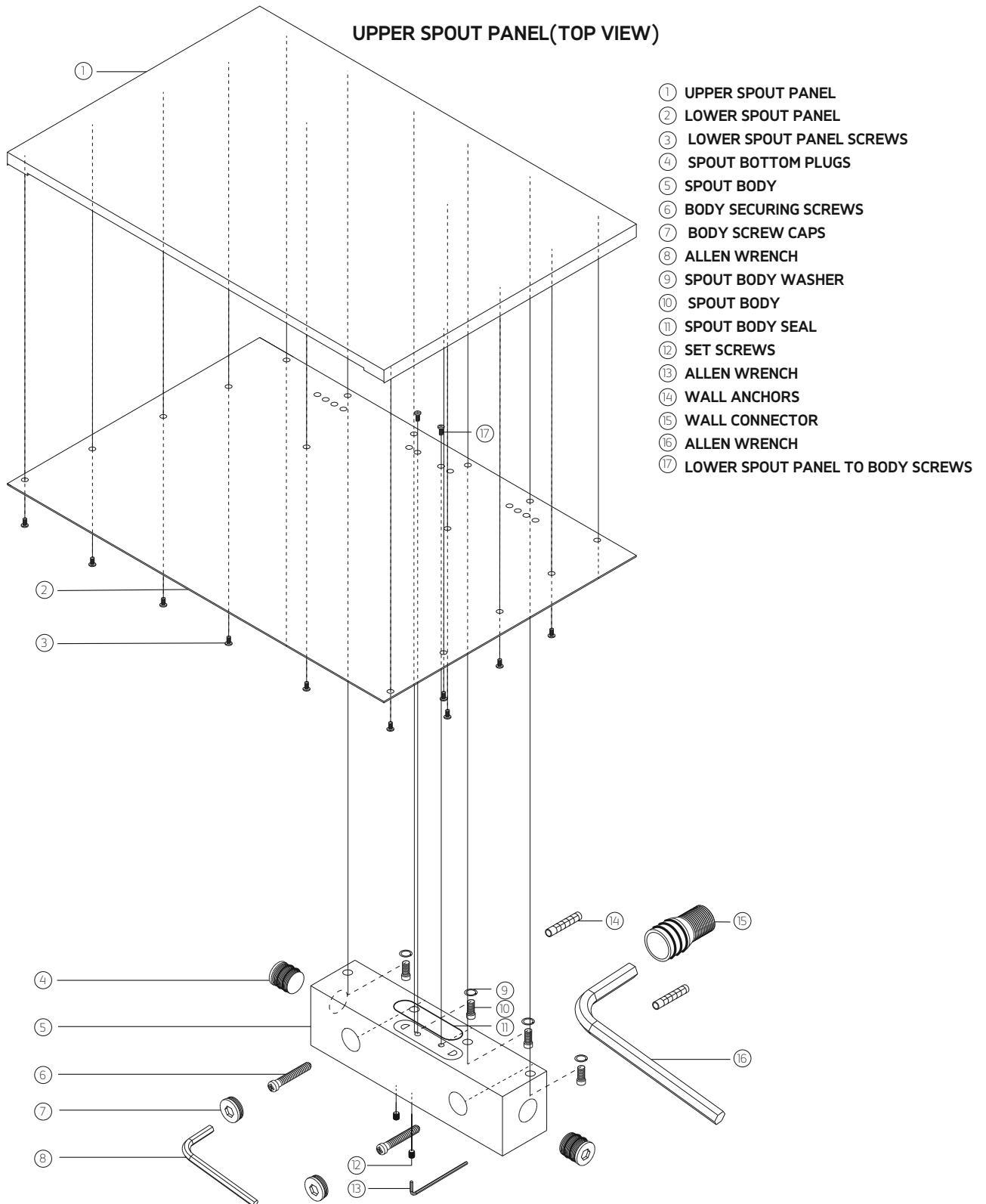
3-hole wall mount tub
filler square

STEP 16



F402-9

3-hole wall mount tub
filler square



PARTS BREAKDOWN

