

artos[®]

F402-4

INSTALLATION GUIDE

wall mount tub filler squ

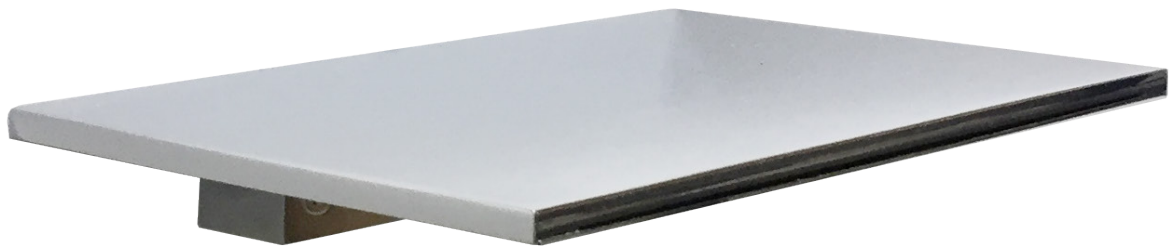
BRUSHED NICKEL (BN)



CHROME (CH)



BLACK (BK)



artos[®]

F402-4

wall mount tub filler squ

OPERATING SPECIFICATIONS



OPERATING PRESSURE

Minimum: 15 psi

Maximum: 75 psi

Above 90psi it may be necessary to install a pressure reducer

OPERATING TEMPERATURE

Maximum: 176°

INLET/OUTLET

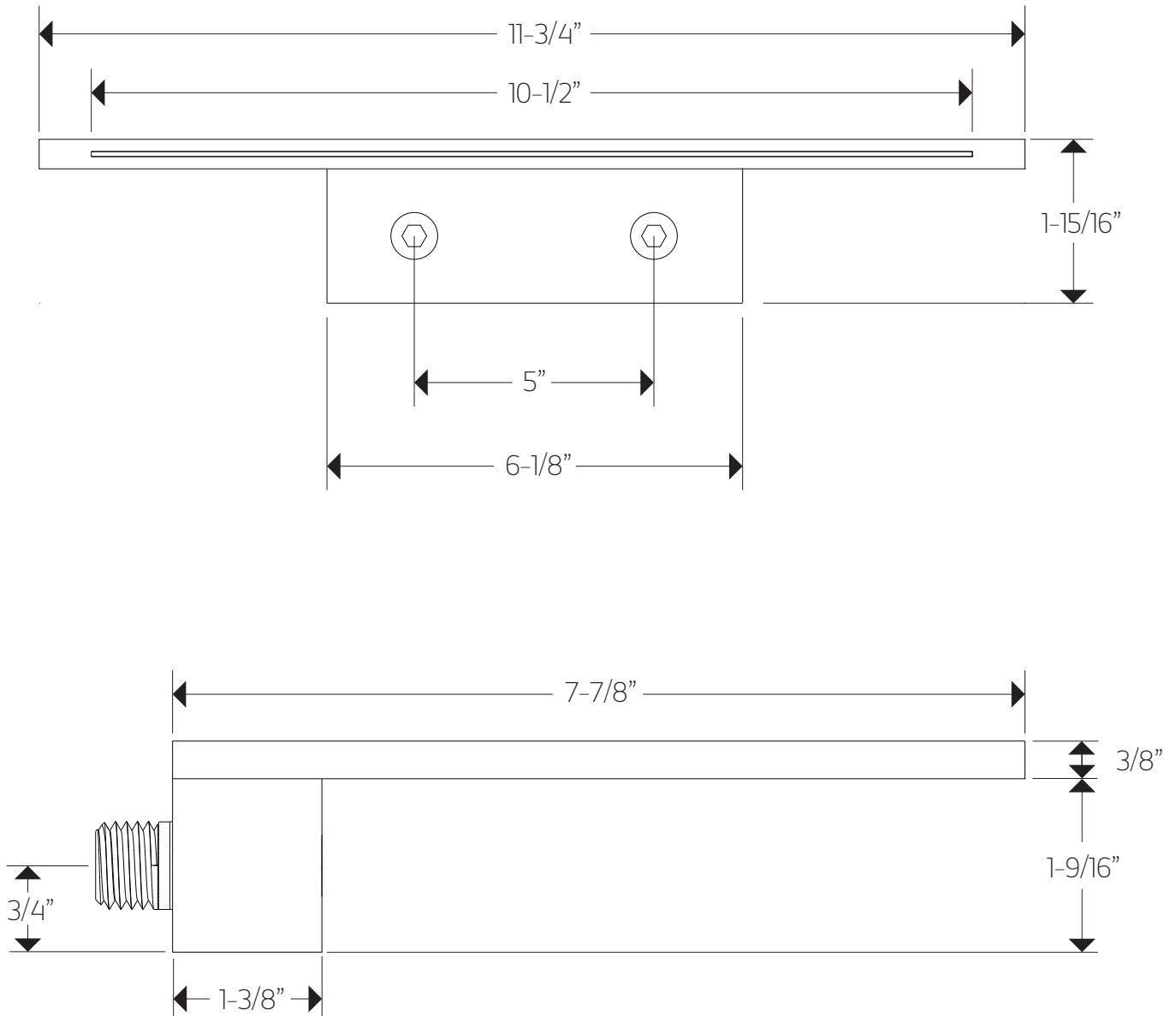
1/2" Male NPT- Wall Connections

artos[®]

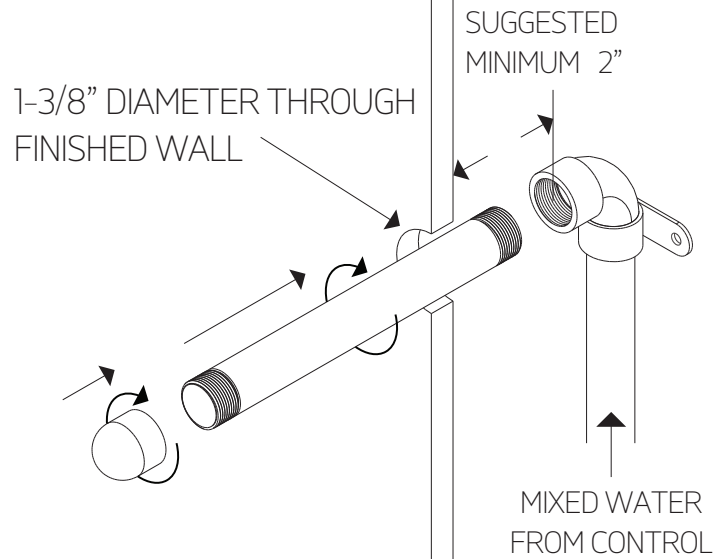
F402-4

PRODUCT DIMENSIONS

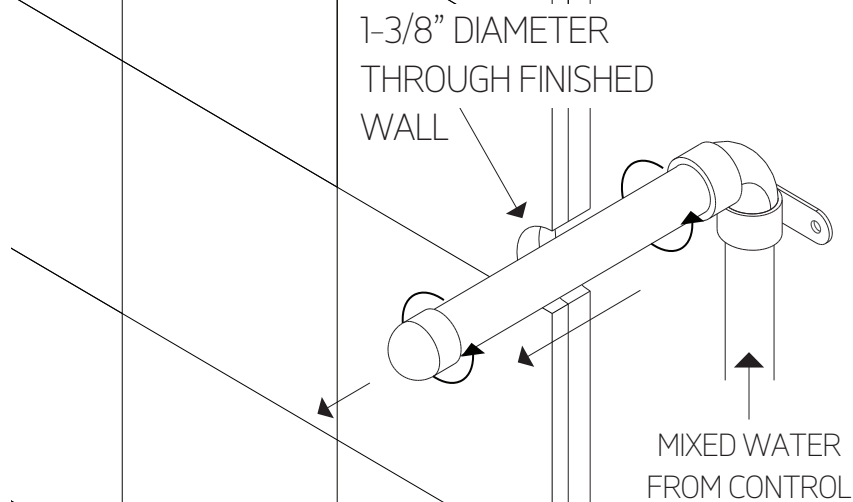
wall mount tub filler squ



STEP 1

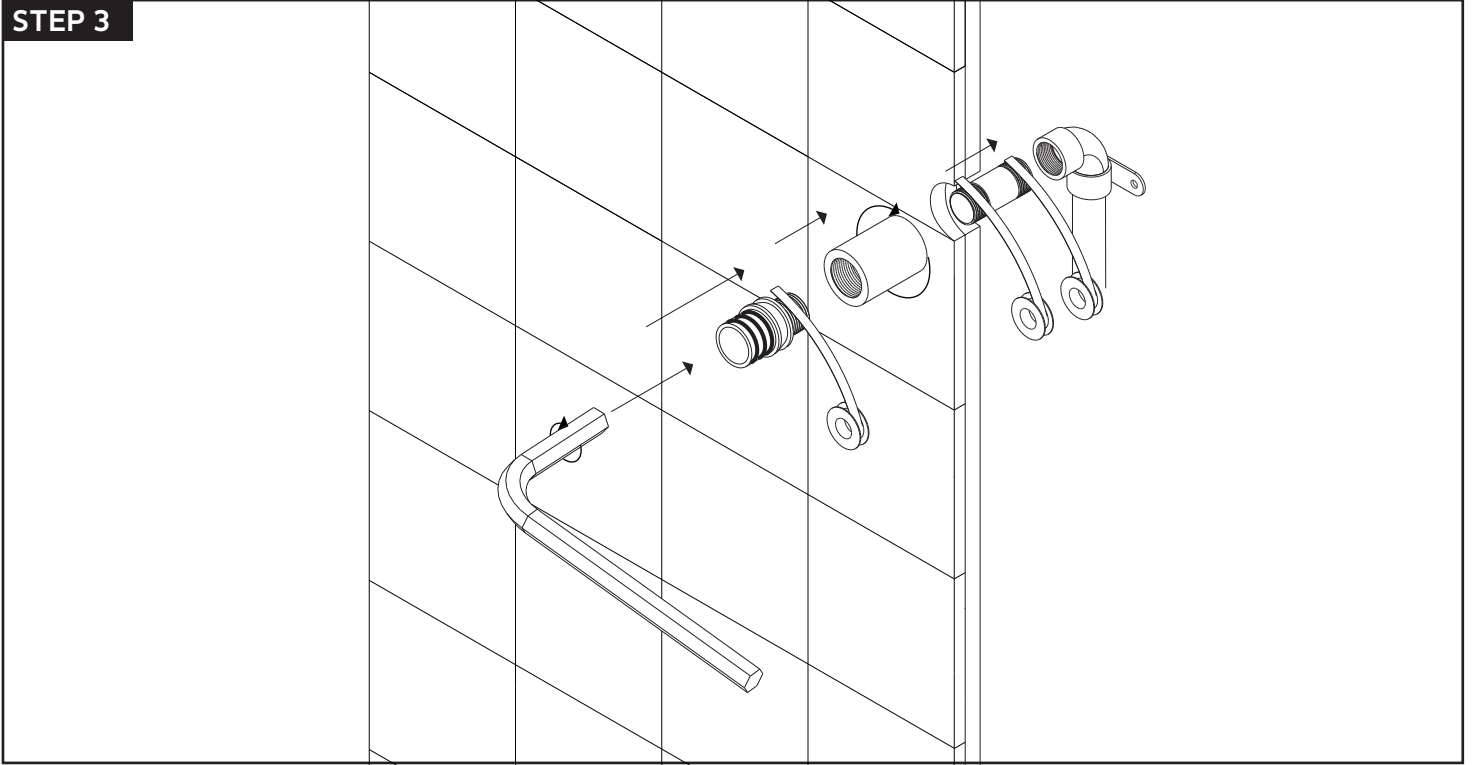


STEP 2

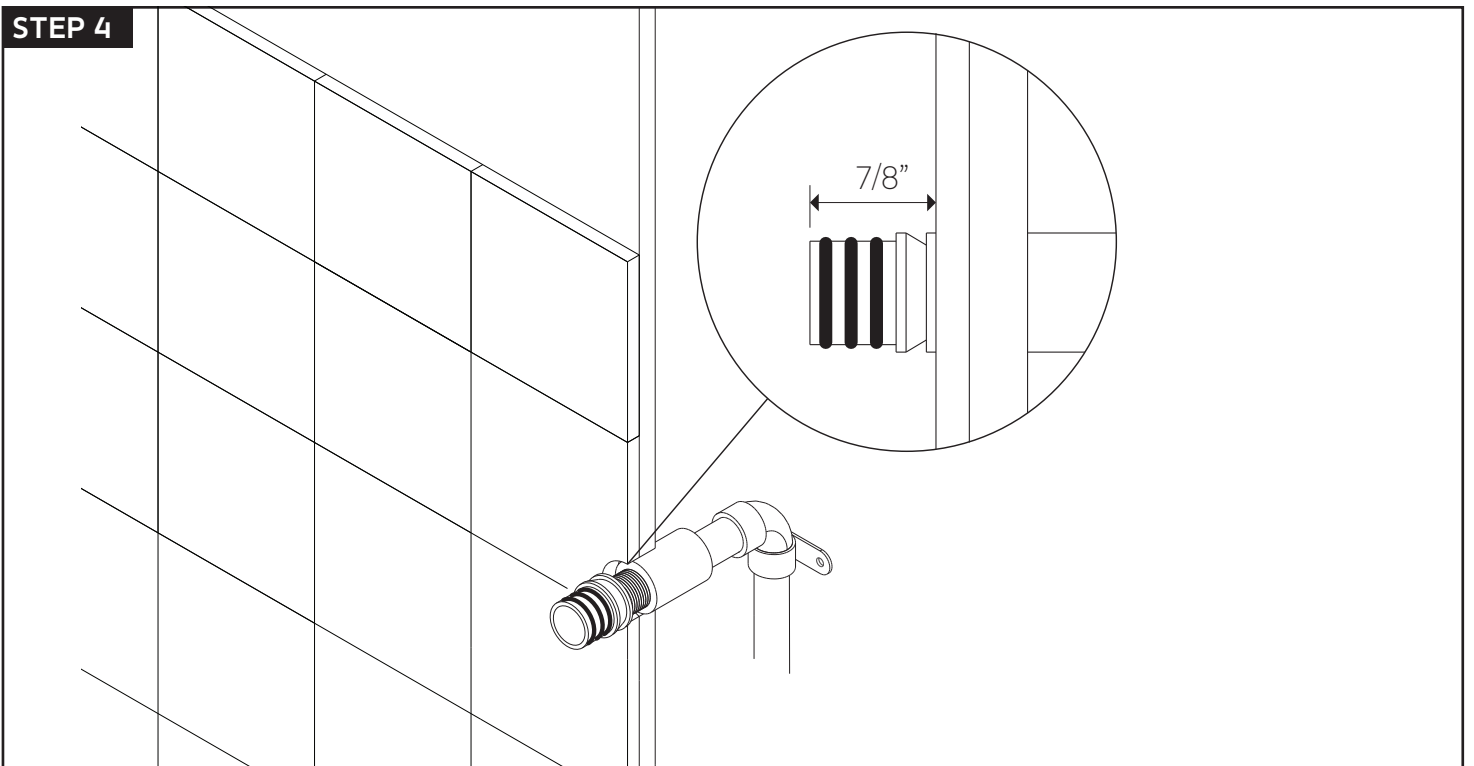


INSTALLATION STEPS

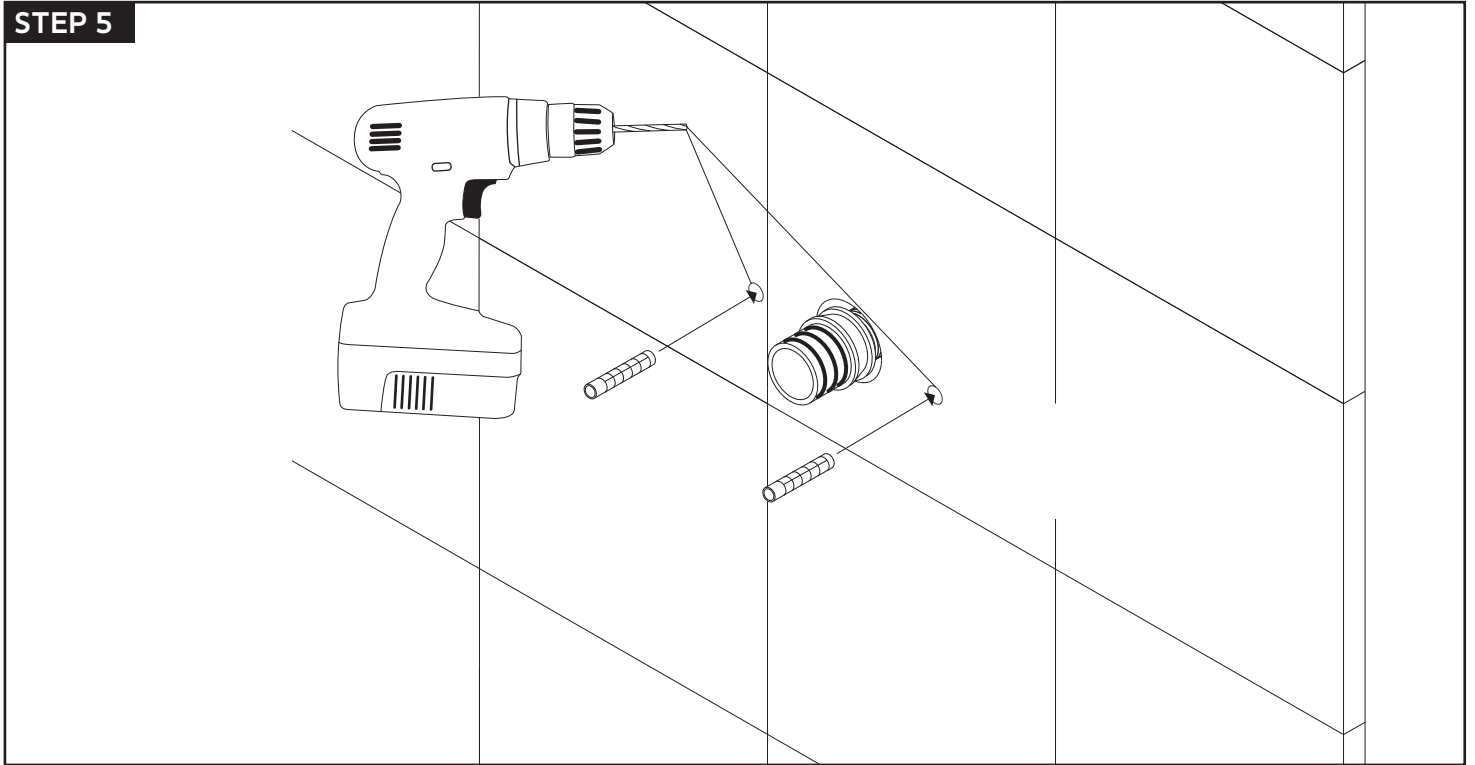
STEP 3



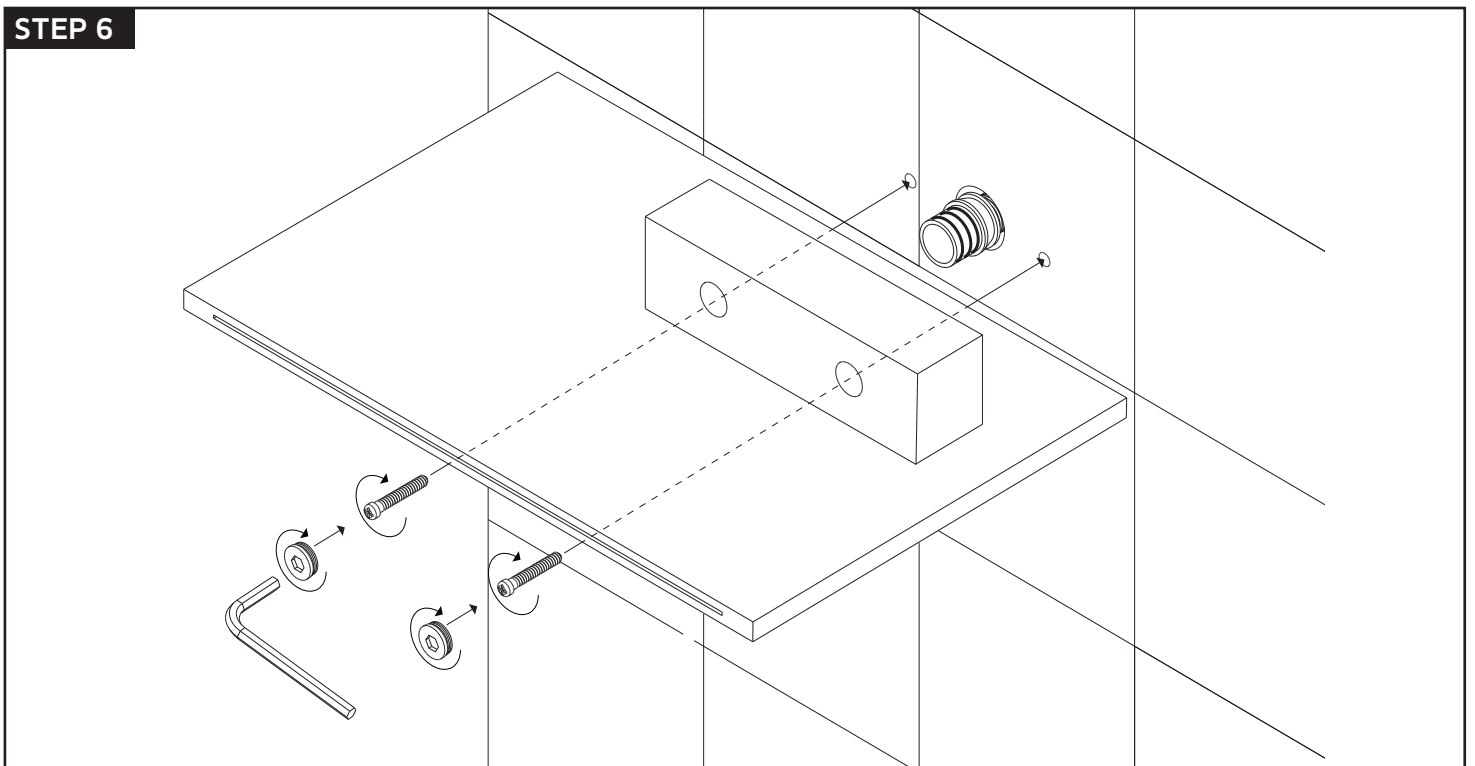
STEP 4



STEP 5

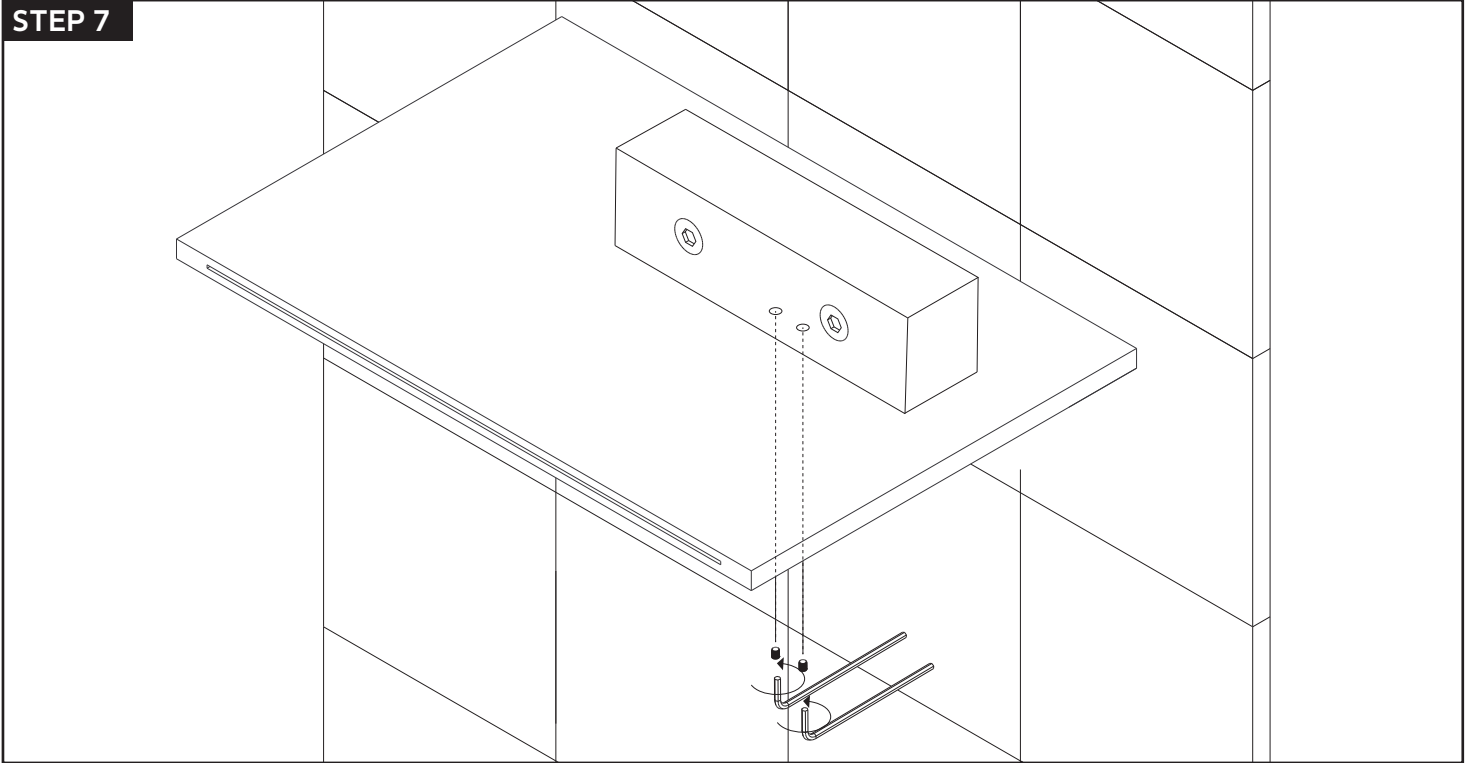


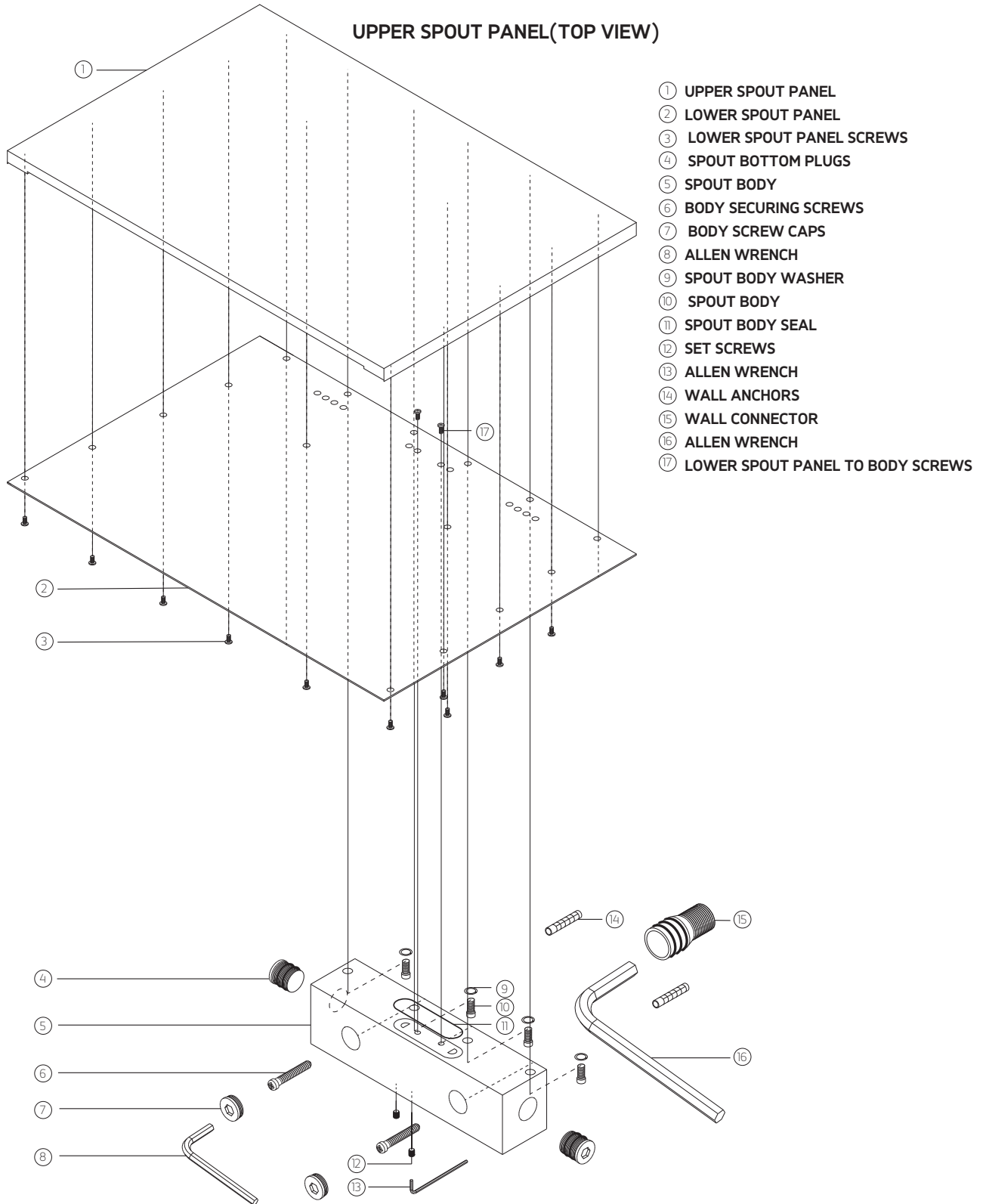
STEP 6



INSTALLATION STEPS

STEP 7





PARTS BREAKDOWN

UPPER SPOUT PANEL (BOTTOM VIEW)

