

# artos<sup>®</sup>

F402-2

**INSTALLATION GUIDE**

deck mount tub filler squ

BRUSHED NICKEL(BN)



CHROME(CH)



# artos<sup>®</sup>

F402-2

## OPERATING SPECIFICATIONS

deck mount tub filler squ



### FEATURES

Deck mount tub filler

### OPERATING PRESSURE

Minimum: 15 psi

Maximum: 75 psi

Above 90psi it may be necessary to install a pressure reducer

### FLOW RATE

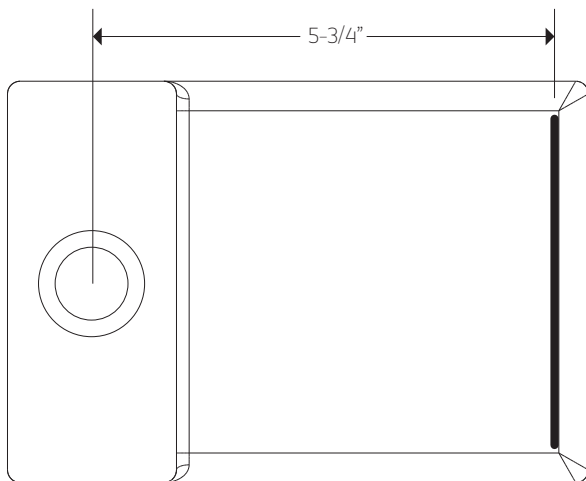
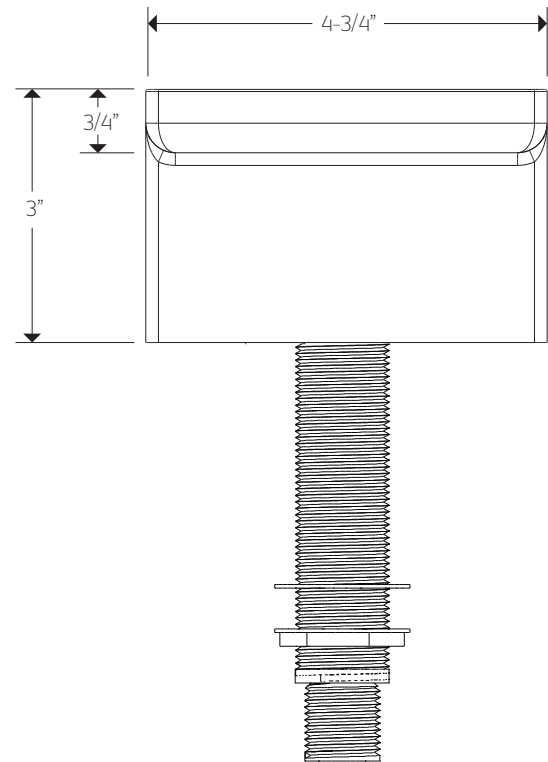
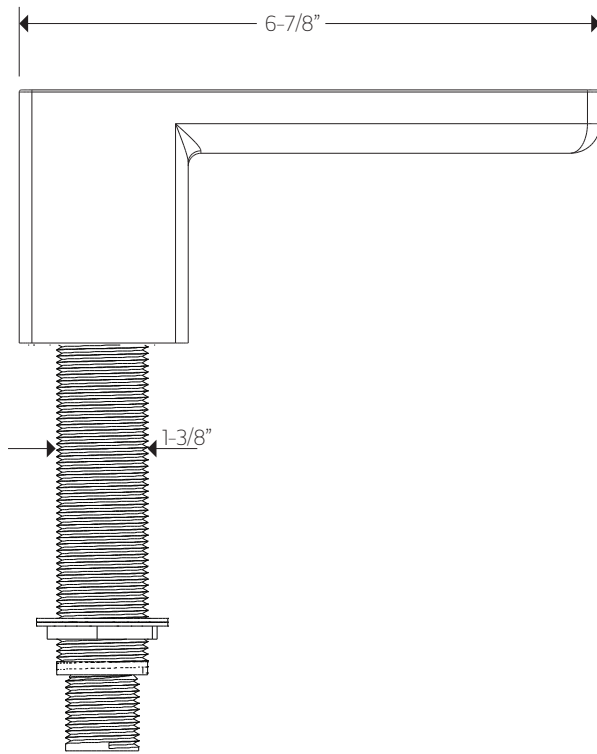
12.0 USGPM

# artos<sup>®</sup>

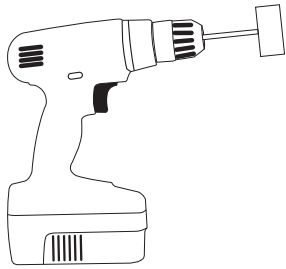
F402-2

## PRODUCT DIMENSIONS

deck mount tub filler squ



### STEP 1

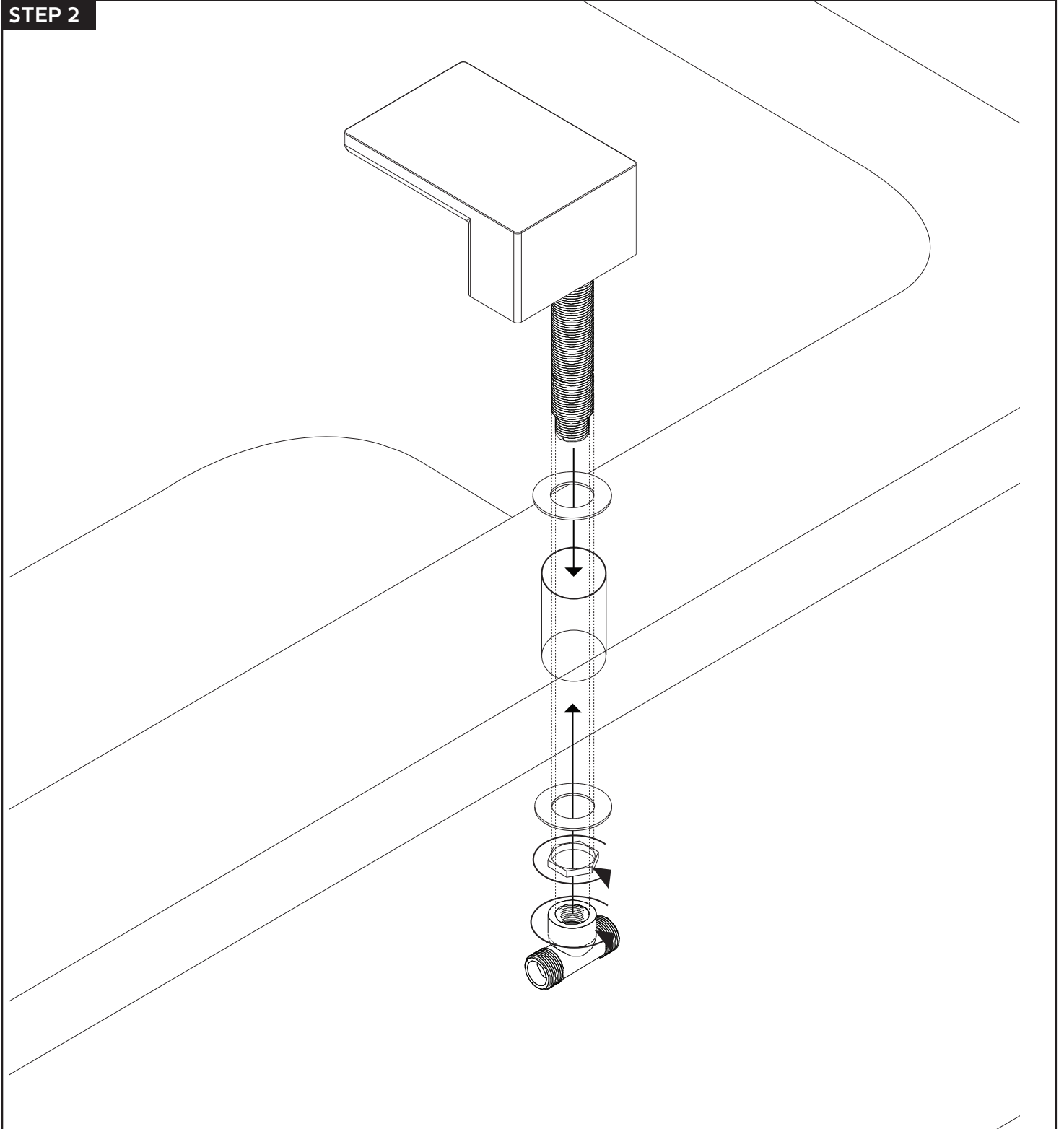


2" MAX  
TUB DECK  
THICKNESS

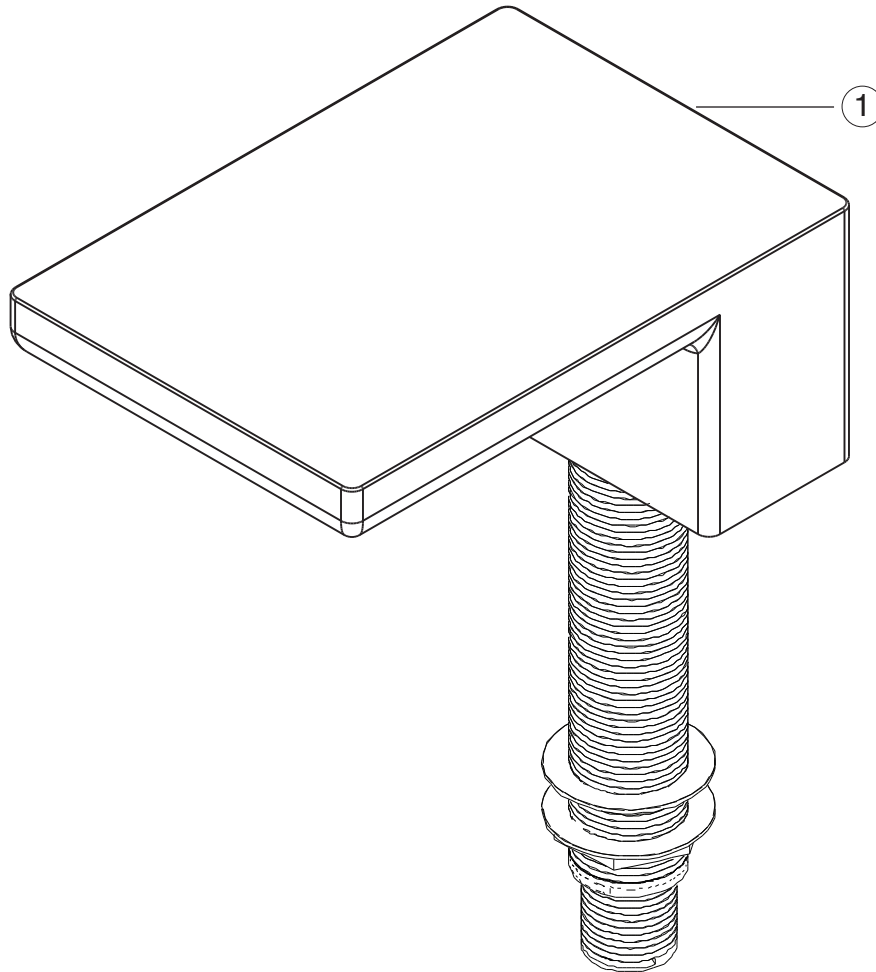
Ø1-5/8"  
TUB FILLER HOLE  
DIAMETER

# INSTALLATION STEPS

## STEP 2



deck mount tub filler squ



① TUB FILLER BODY