

artos[®]

F303-7

INSTALLATION GUIDE

body jet round+square

BRUSHED NICKEL(BN)



CHROME(CH)



BLACK (BK)



artos[®]

F303-7

OPERATING SPECIFICATIONS

body jet round+square



FEATURES

Easy Clean Nozzles
70 Degree Rotation

OPERATING PRESSURE

Minimum: 15 psi
Maximum: 75 psi
Above 90psi it may be necessary to install a pressure reducer

FLOW RATE

1.8 USGPM

INLET/OUTLET

1/2" Female

REQUIREMENTS

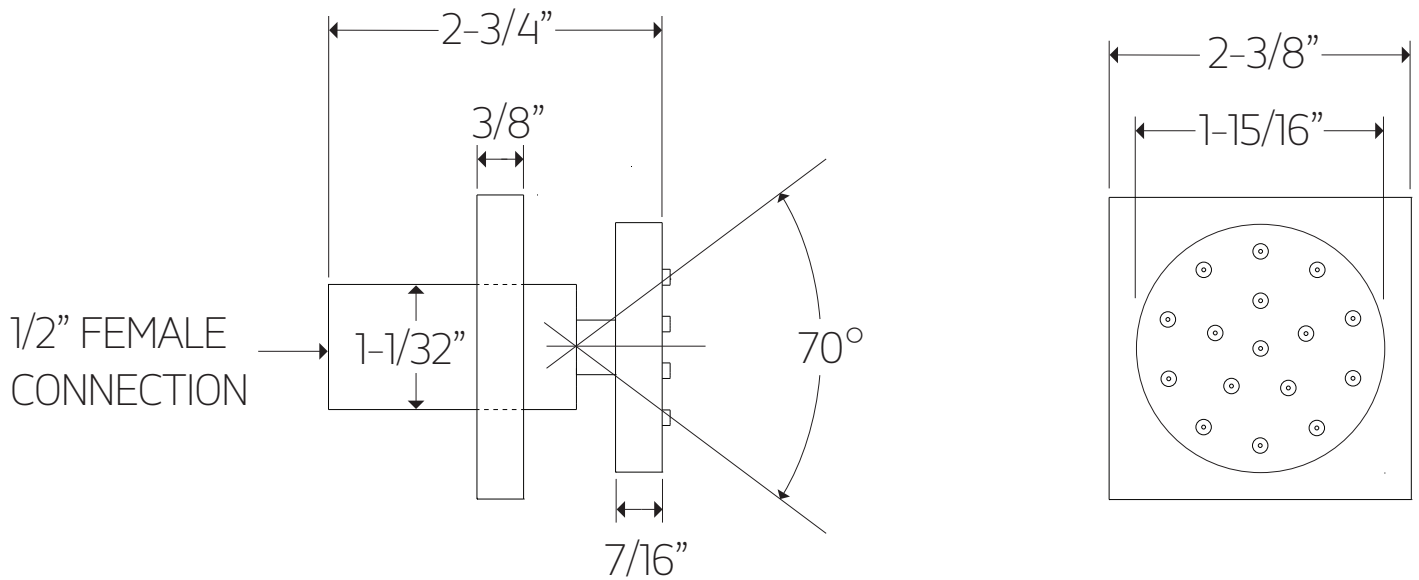
This unit requires a control

artos[®]

F303-7

PRODUCT DIMENSIONS

body jet round+square

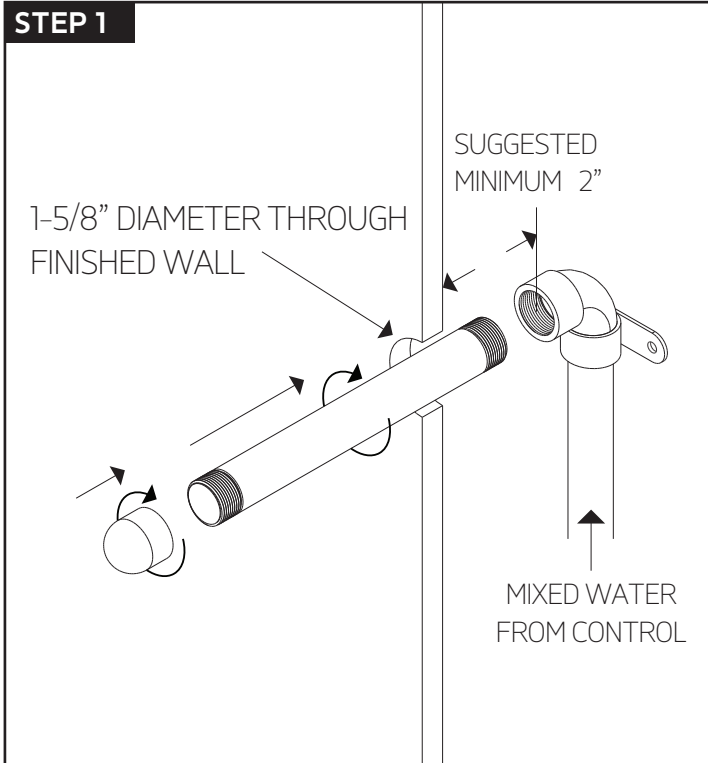


artos[®]

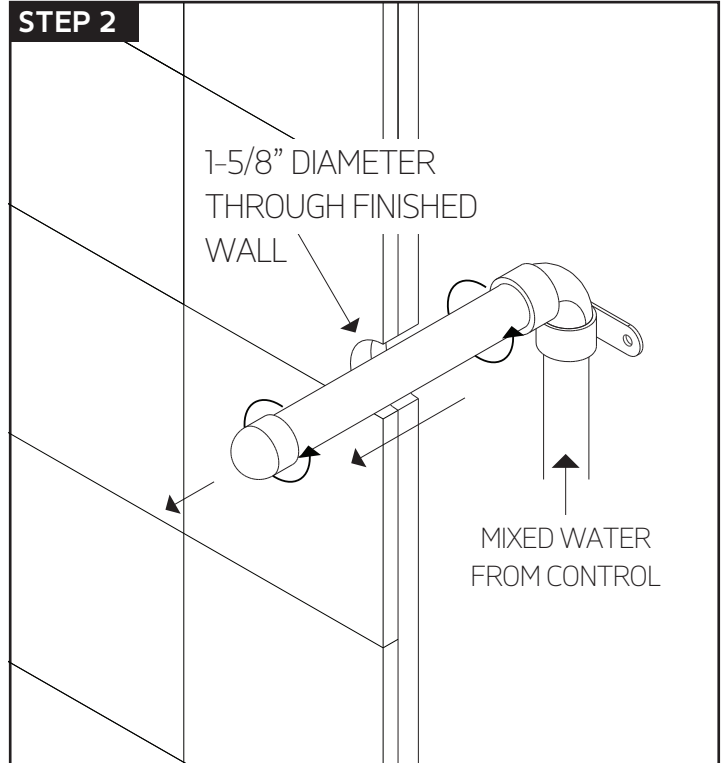
F303-7

body jet round+square

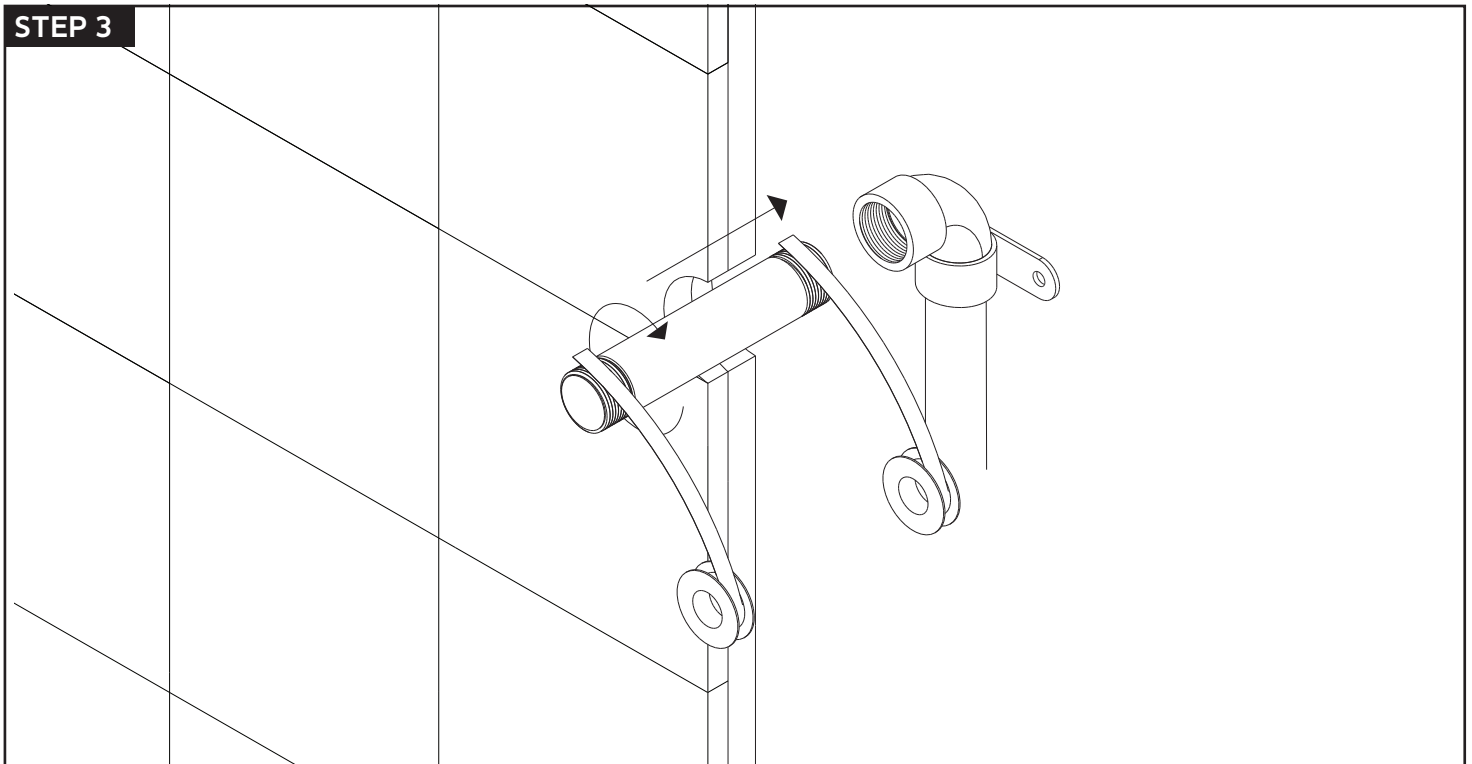
STEP 1



STEP 2

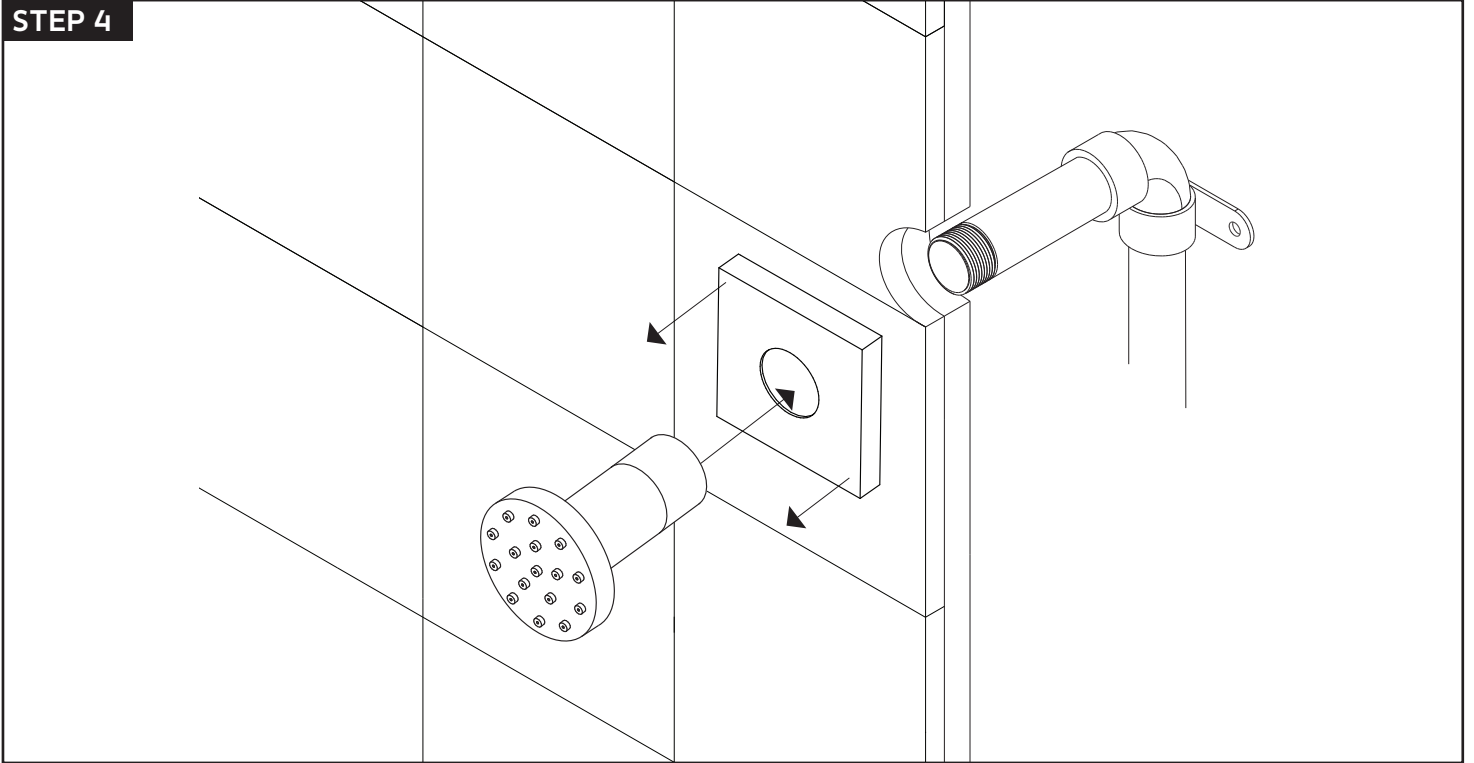


STEP 3

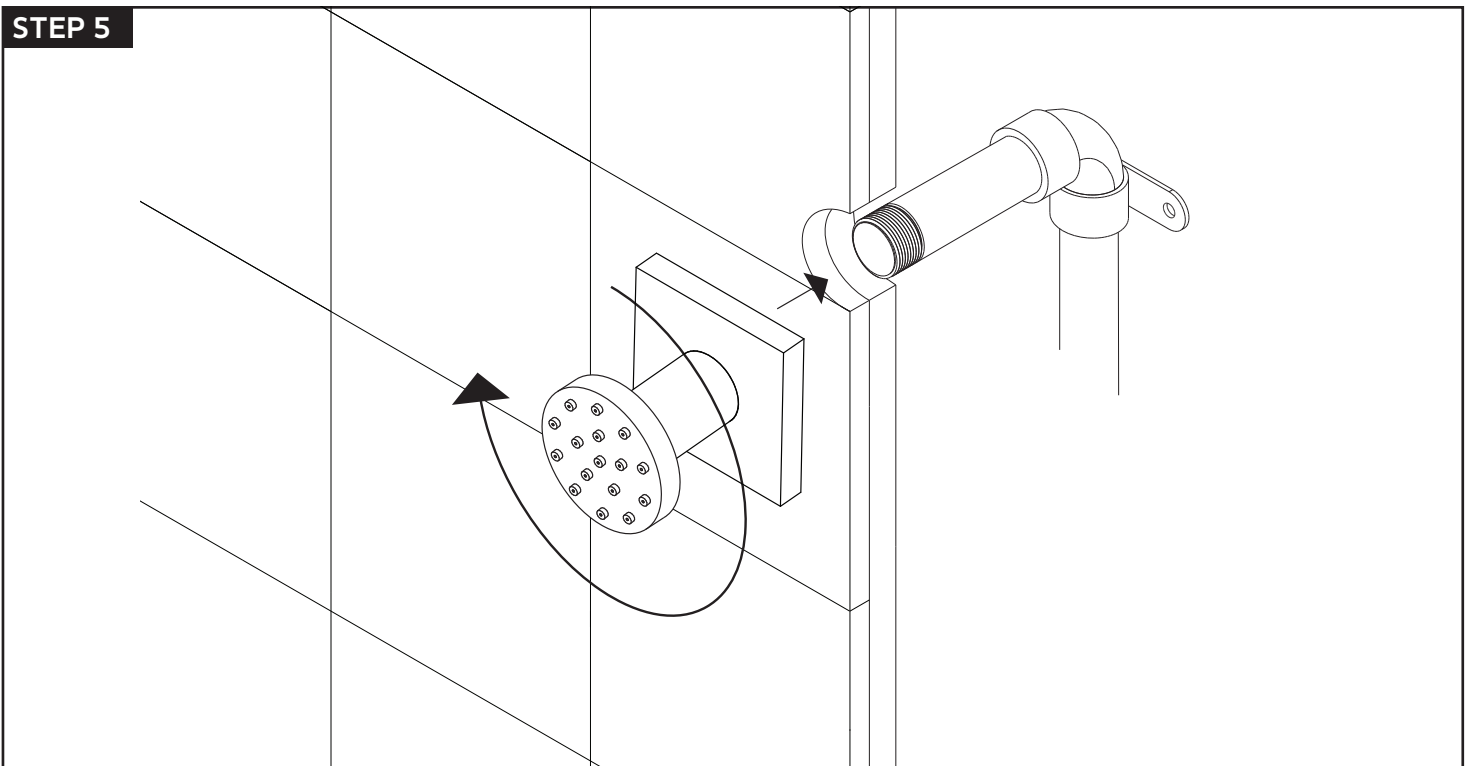


INSTALLATION STEPS

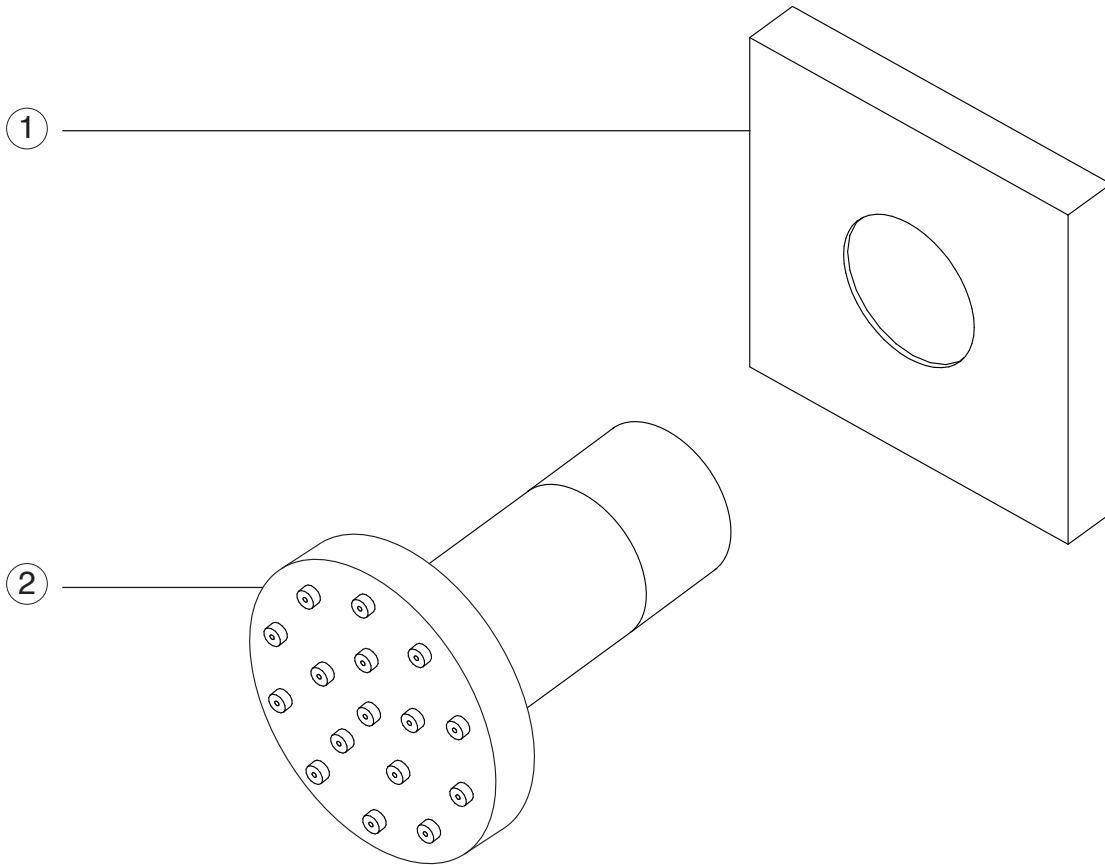
STEP 4



STEP 5



body jet round+square



① ESCUTCHEON

② BODY JET