

# artos®

## F302-3

## INSTALLATION GUIDE

5-hole deck mount tub filler

r+s

BRUSHED NICKEL(BN)



CHROME(CH)



CHROME+BLACK(CHB)



BLACK (BK)



# artos®

## F302-3

## OPERATING SPECIFICATIONS

5-hole deck mount tub filler

r+s



### FEATURES

Tub Filler with Two Controls

Hand Shower with Separate Control

### OPERATING PRESSURE

Minimum: 15 psi

Maximum: 75 psi

Above 90psi it may be necessary to install a pressure reducer

### OPERATING TEMPERATURE

Maximum: 176°

### FLOW RATE

12.0 USGPM

2.0 USGPM

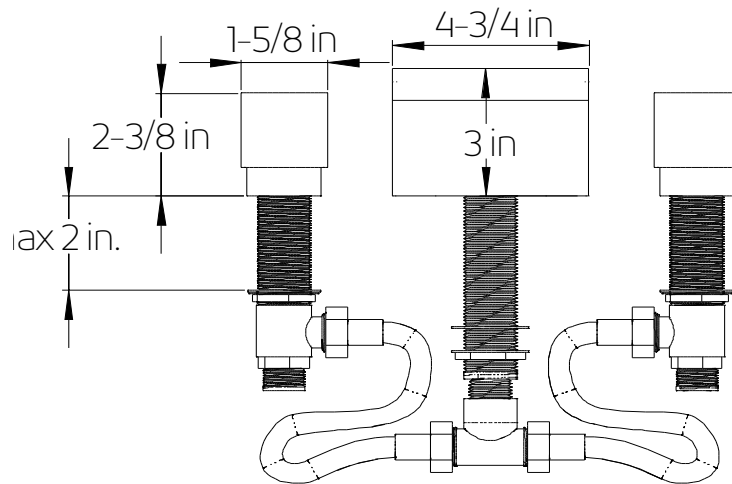
# artos®

## F302-3

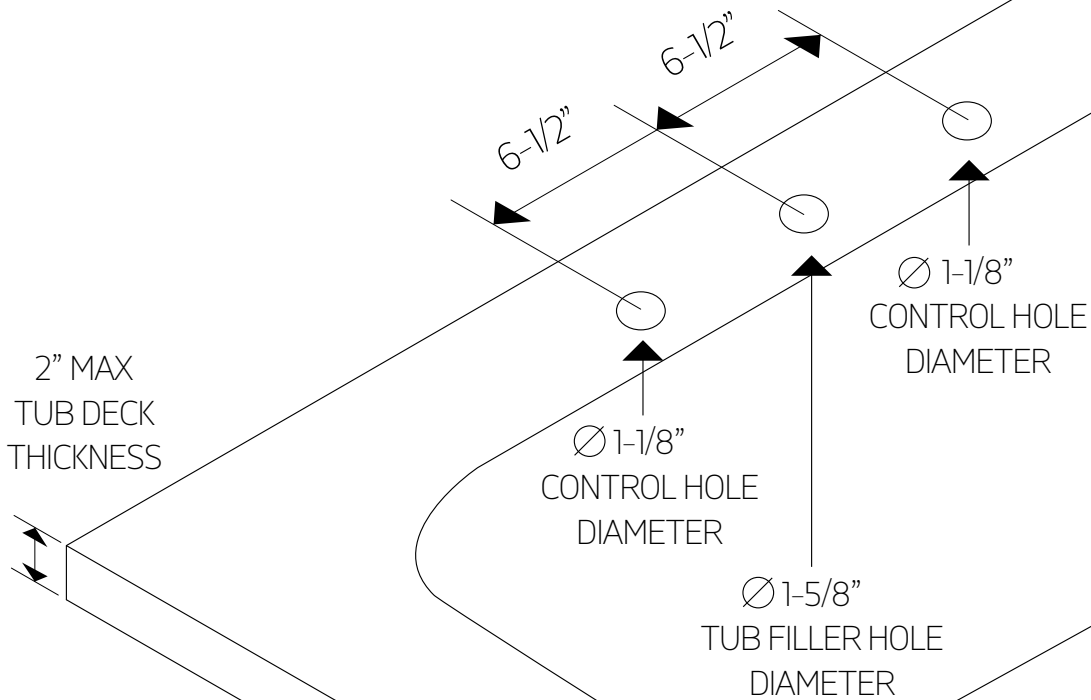
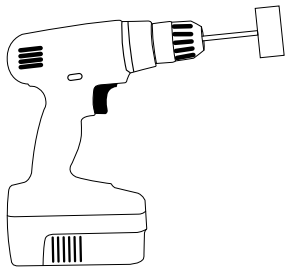
## PRODUCT DIMENSIONS

5-hole deck mount tub filler

r+s

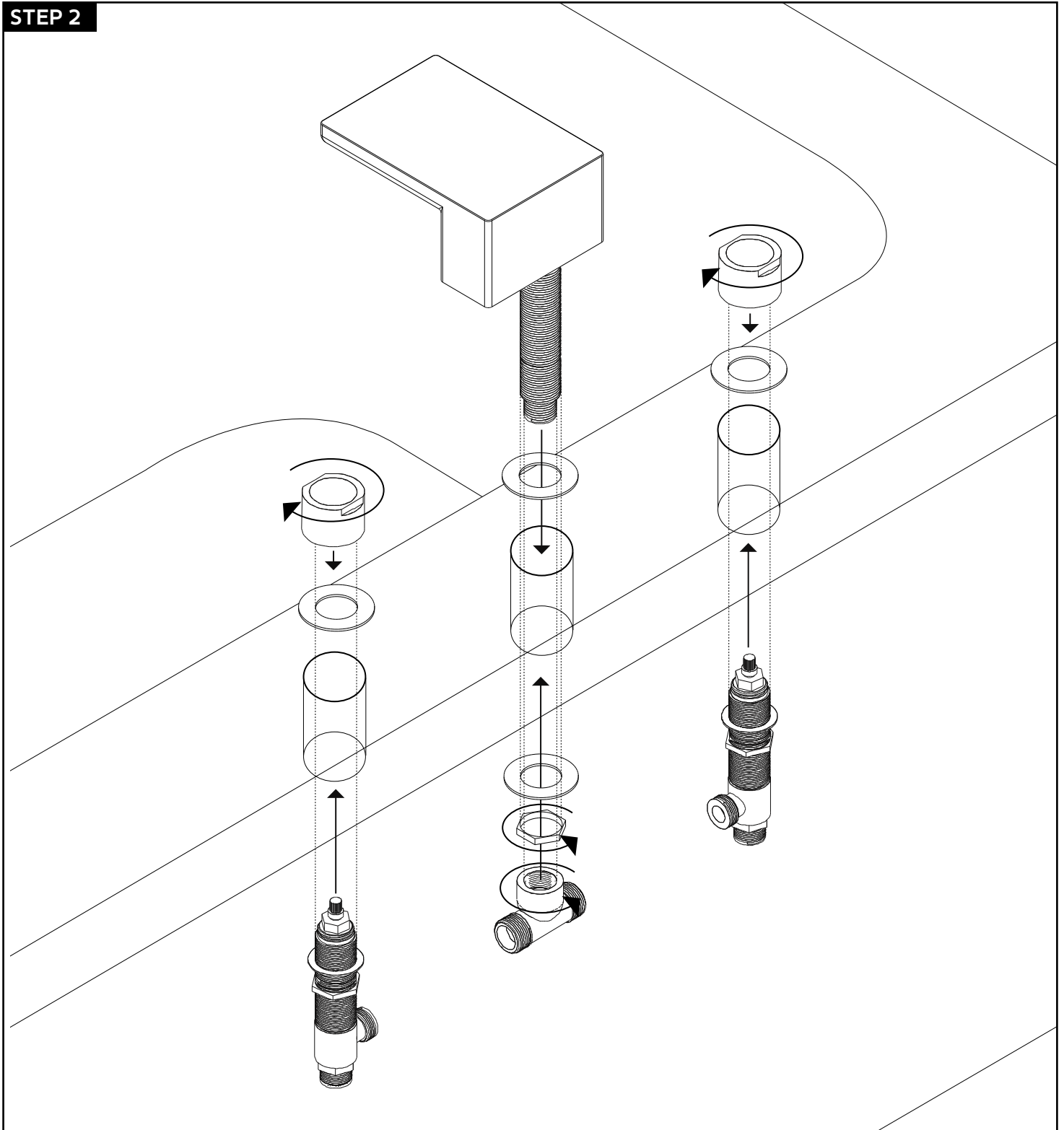


### STEP 1

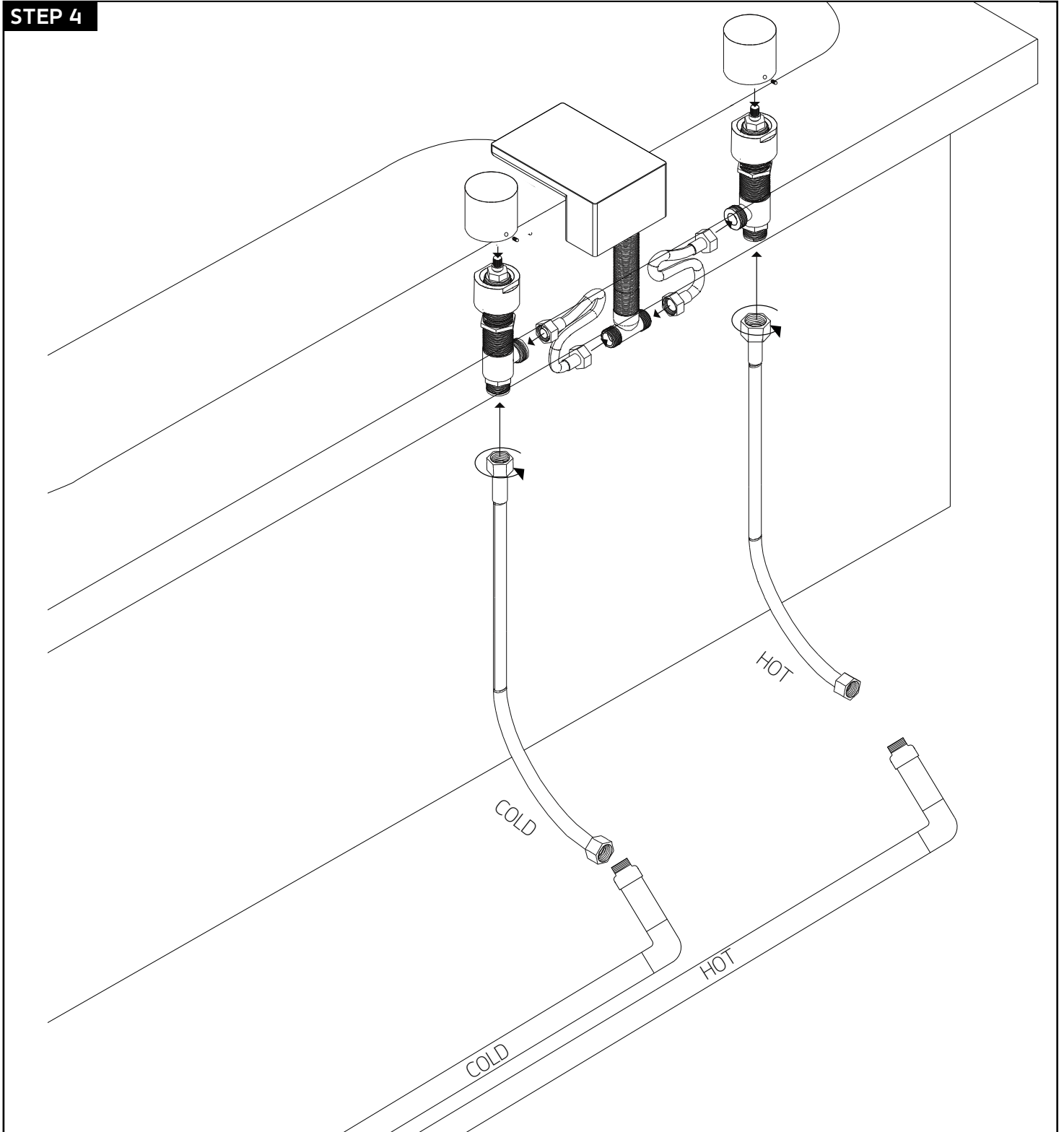


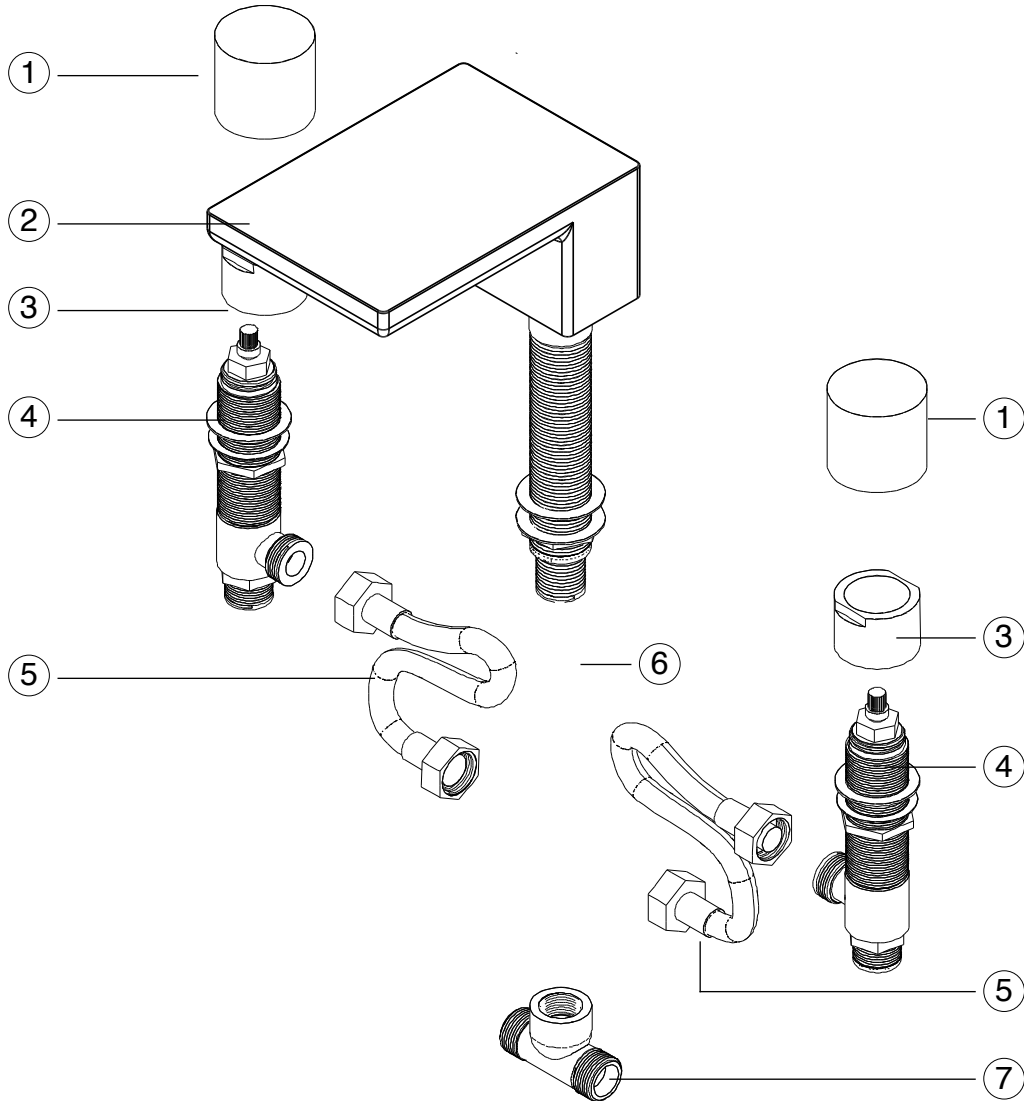
# INSTALLATION STEPS

## STEP 2



**STEP 4**





- ① CONTROL HANDLE
- ② TUB FILLER
- ③ TUB FILLER CONTROL DRESS RING
- ④ TUB FILLER VALVE
- ⑤ SUPPLY HOSE
- ⑥ SPOUT CONNECTOR
- ⑦ SPOUT SUPPLY CONNECTOR