

# artos

F203-6

**INSTALLATION GUIDE**

waterfall shower head

BRUSHED NICKEL(BN)



CHROME(CH)



BLACK (BK)



# artos

F203-6

## OPERATING SPECIFICATIONS

waterfall shower head

### OPERATING PRESSURE

Minimum: 15 psi

Maximum: 75 psi

Above 90psi it may be necessary to install a pressure reducer

### OPERATING TEMPERATURE

Maximum: 176°

### FLOW RATE

2.0 USGPM

### INLET/OUTLET

1/2" Male NPT- Wall Connections

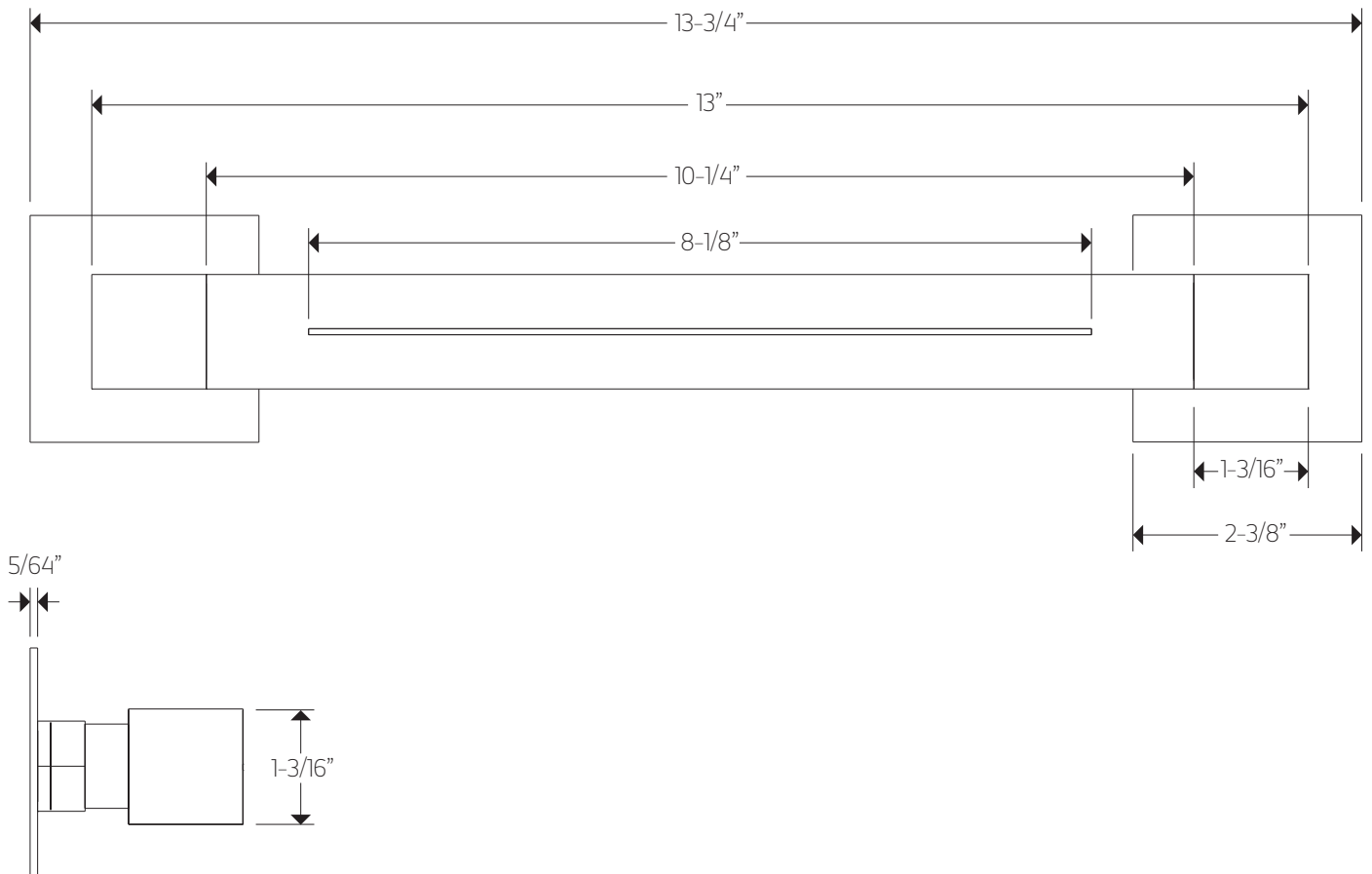


# artos

F203-6

**PRODUCT DIMENSIONS**

waterfall shower head

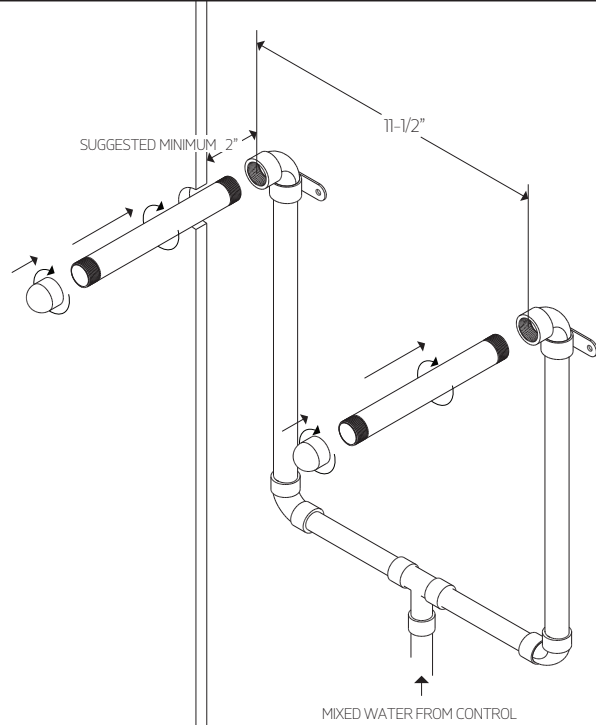


# artos

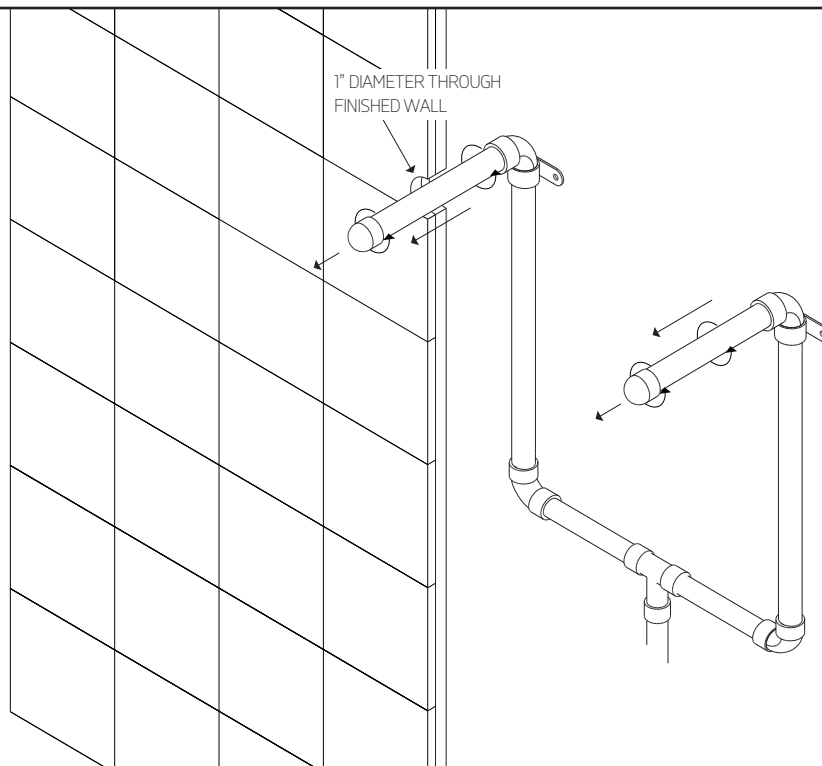
F203-6

waterfall shower head

## STEP 1

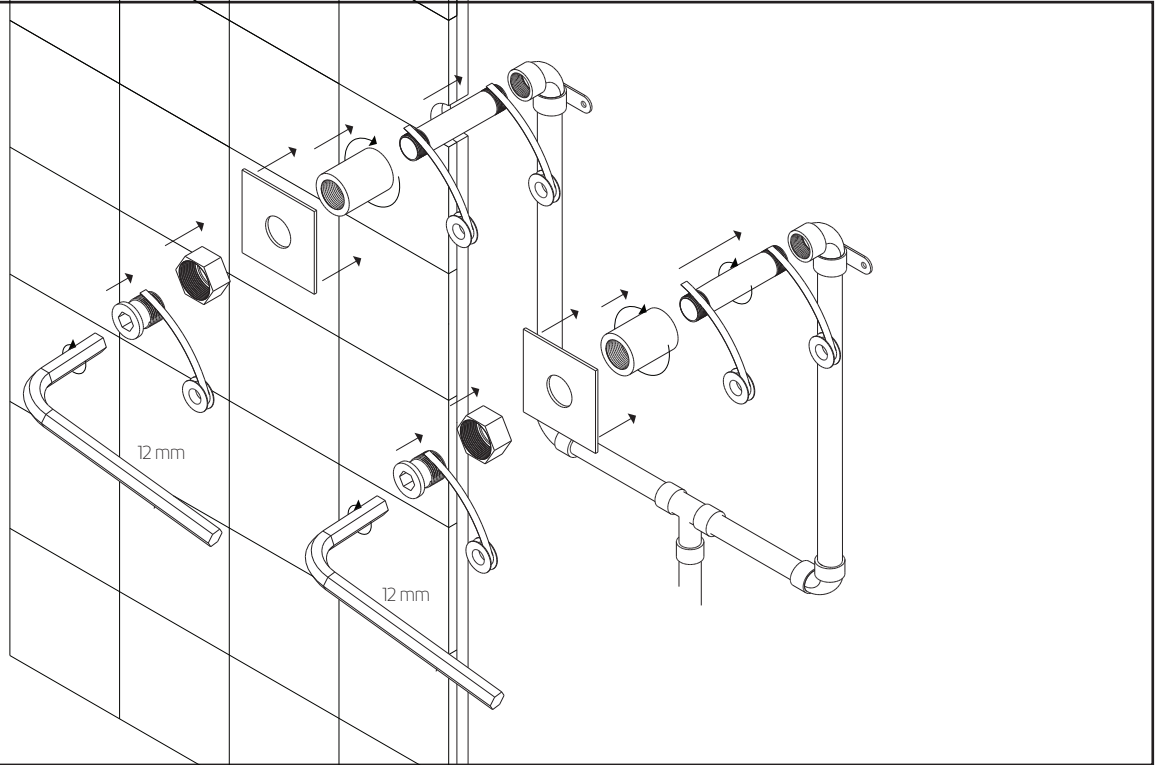


## STEP 2



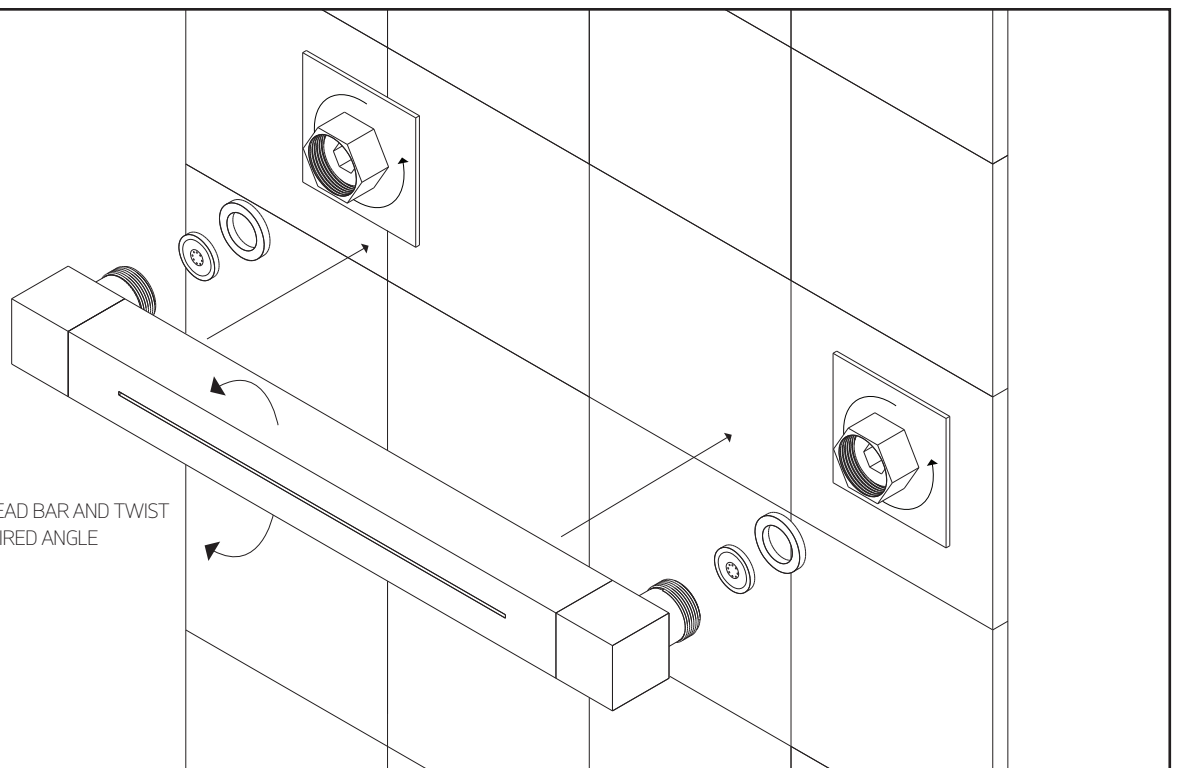
# INSTALLATION STEPS

## STEP 3



## STEP 4

GRASP SHOWER HEAD BAR AND TWIST TO ADJUST TO DESIRED ANGLE

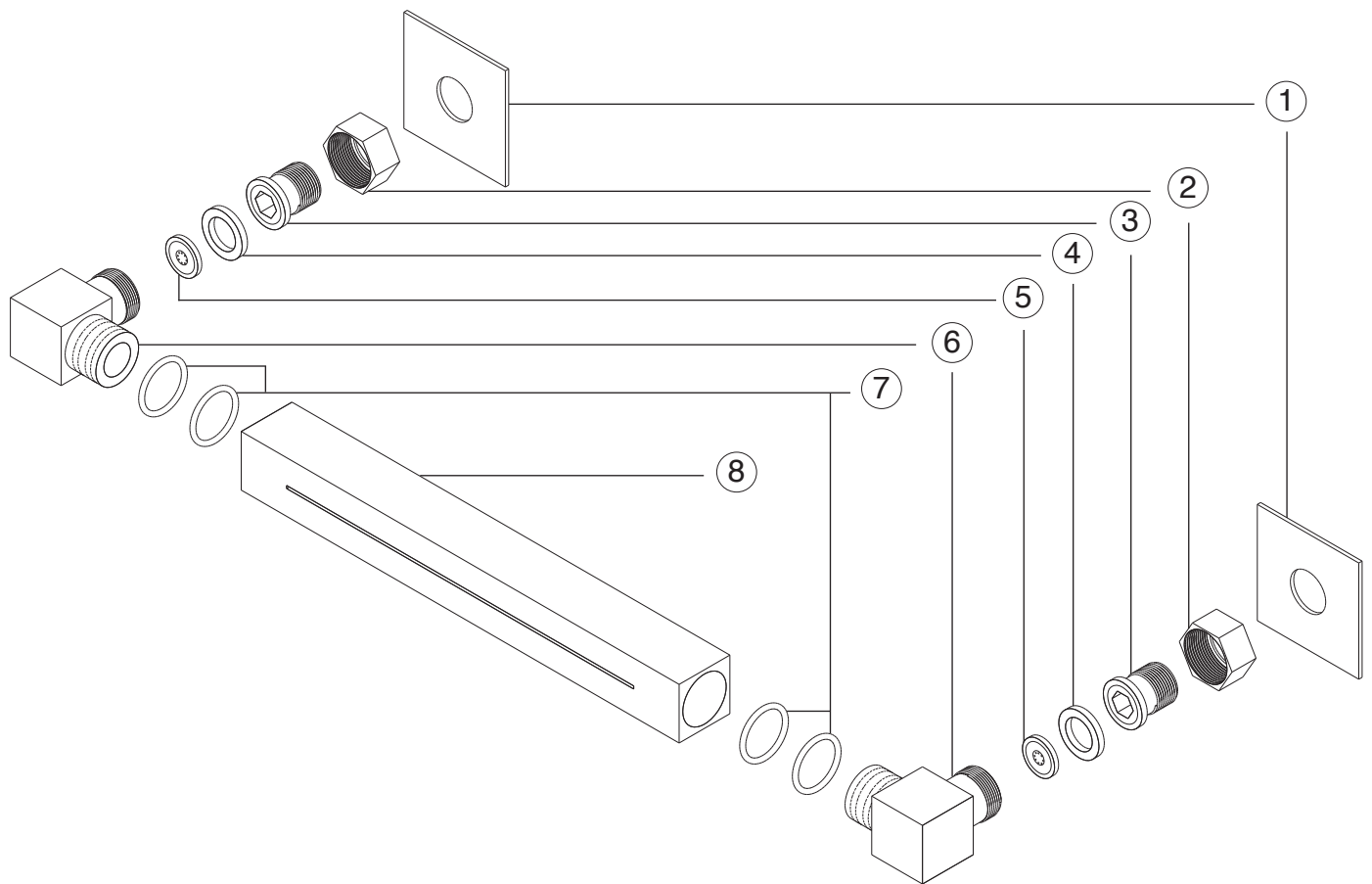


# artos

F203-6

## PARTS BREAKDOWN

waterfall shower head



- ① ESCUTCHEON
- ② CONNECTION NUT
- ③ CONNECTION TAIL PIECE
- ④ RUBBER WASHER
- ⑤ FLOW RESTRICTOR
- ⑥ CORNER BLOCK
- ⑦ O-RING
- ⑧ SHOWER HEAD BAR