

F100142

Spring Kitchen Faucet With Pulldown Spray

artos®

INSTALLATION GUIDE



F100142

Spring Kitchen Faucet With Pulldown Spray

artos®

OPERATING SPECIFICATIONS



HOT WATER SUPPLY TEMPERATURE

Maximum: 176°

Minimum difference between hot mixed temperature 50°

OPERATING PRESSURE

Minimum: 40psi

Maximum: 90psi

Recommended: 50psi-70psi

Operating pressures (on hot and cold lines) should be kept as balanced as possible, to assure the maximum efficiency.

CARTRIDGE

Ceramic Disk Cartridge

FLOW RATE

1.8 USGPM (6.8L/min) at 60psi

INSTALLATION DIMENSIONS

1-2/8" For Counter-Top

Maximum Surface Thickness: 1-1/2"

STANDARDS

Certified to CUPC

Certified to AB1953

Certified to NSF/ANSI 61

ADA For Lever handle



All technical specifications, product details, and pricing are subject to change without prior notice. Artos makes every effort to ensure accuracy; however, errors or omissions may occur. It is the responsibility of the installer, designer, or purchaser to verify all critical dimensions, installation requirements, and compliance with applicable codes prior to use.

Artos assumes no liability for damages, losses, or injuries resulting from the use of this documentation or from product installation, operation, or maintenance performed outside of Artos instructions and applicable codes. Product warranties are limited to those expressly stated by Artos. Please refer to official warranty documentation for complete terms and conditions.

All drawings, manuals, and specifications are the property of Artos and may not be reproduced, distributed, or altered without prior written permission.

F100142

Spring Kitchen Faucet With Pulldown Spray

artos®

INDEX

INDEX

Product Dimensions.....pg:4

Installation Preparation.....pg:5

Spring Kitchen Faucet With Pulldown Spray Installation F100142.....pg:6-10

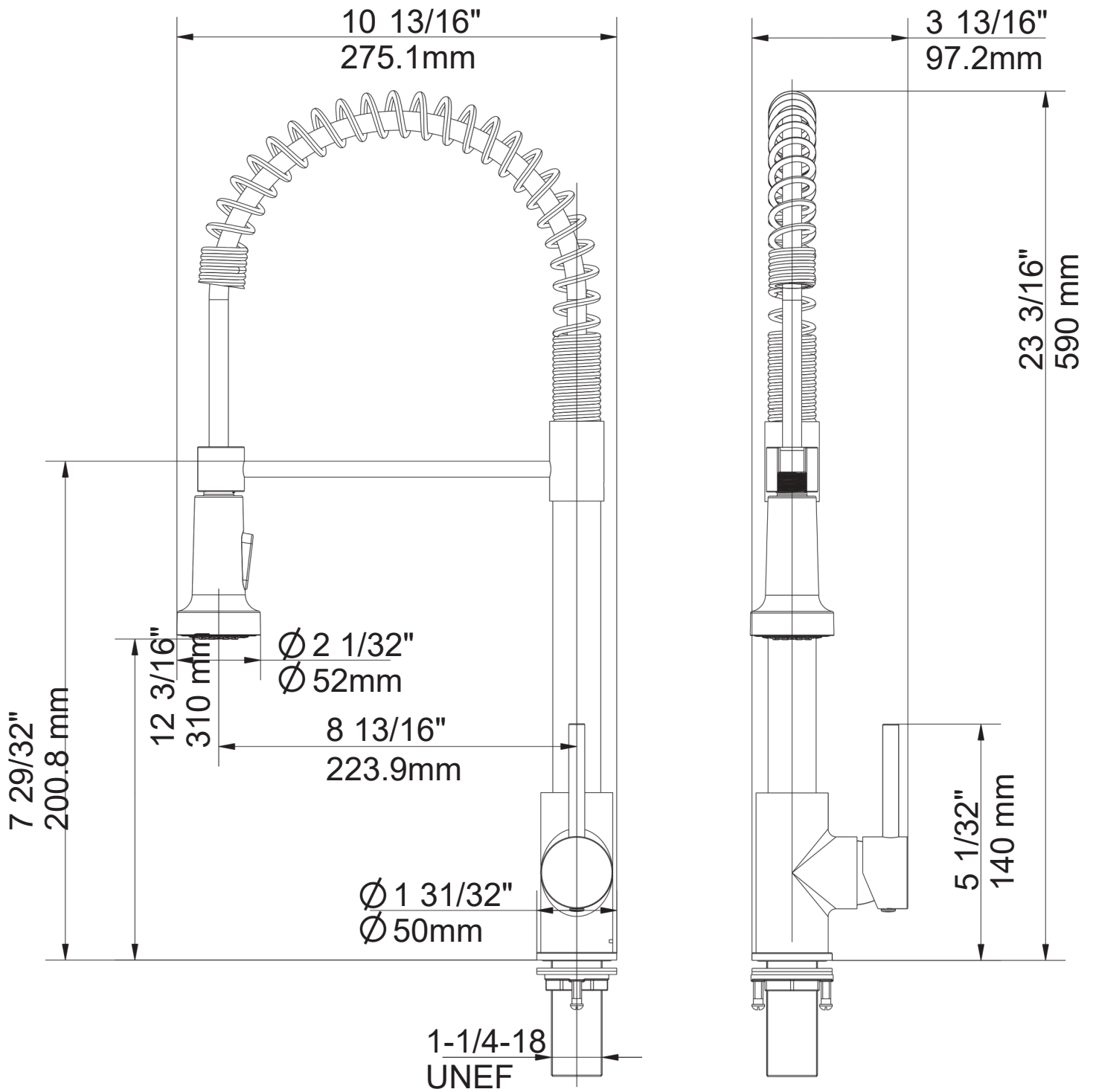
Parts Breakdown F100142.....pg11

F100142

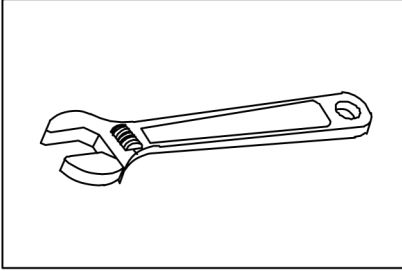
Spring Kitchen Faucet With Pulldown Spray

artos®

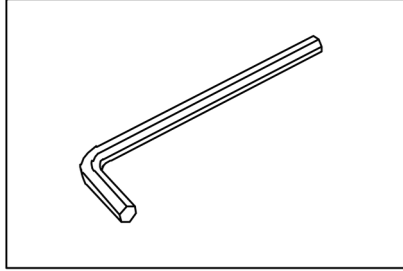
PRODUCT DIMENSIONS



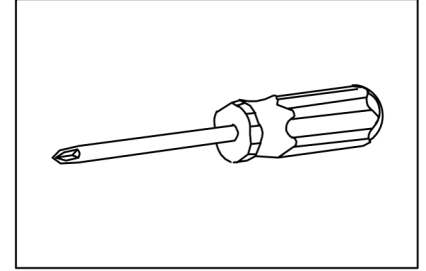
TOOLS FOR INSTALLATION



Adjustable wrench



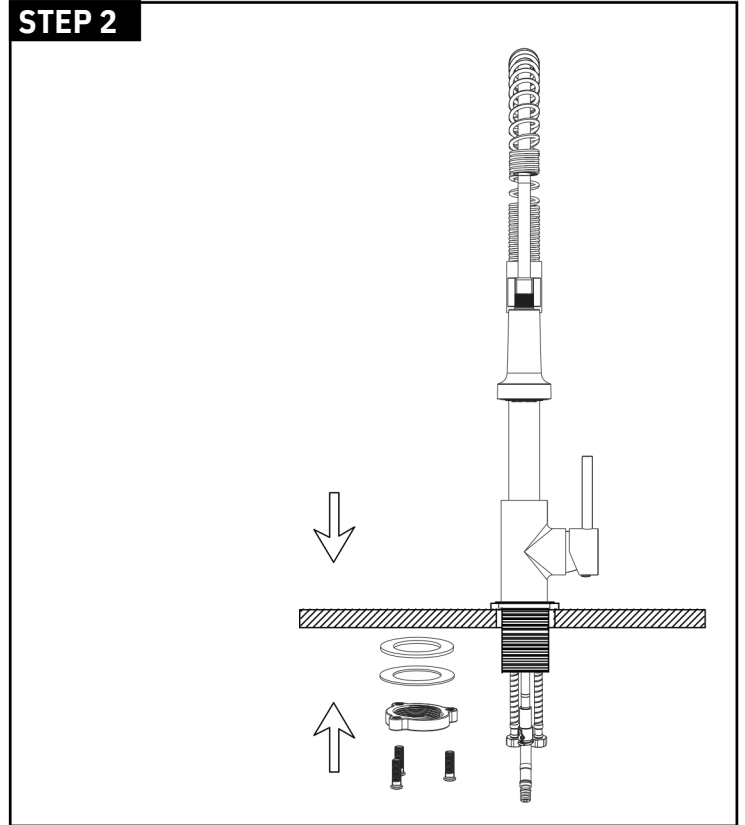
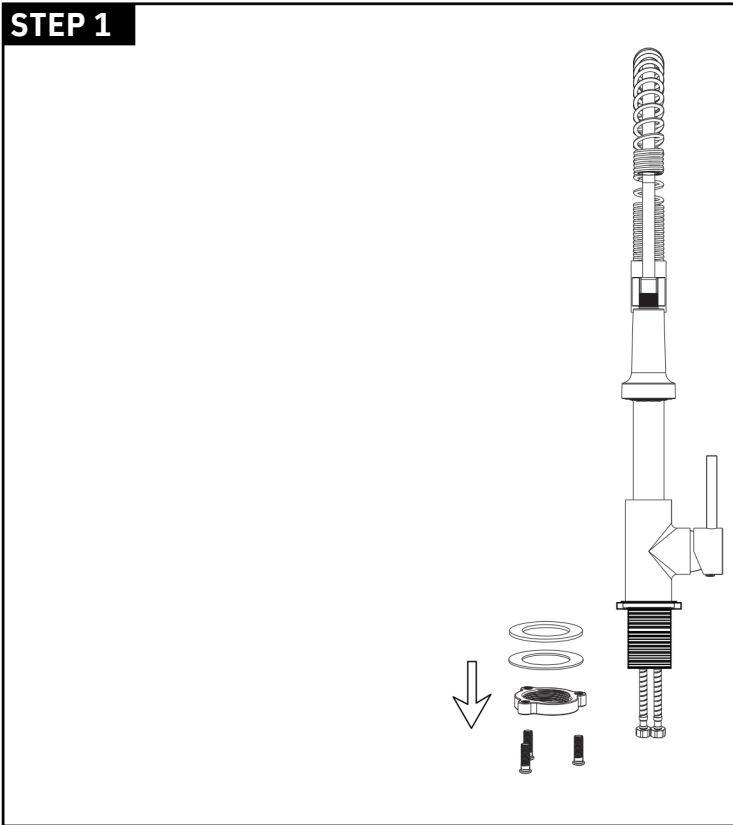
Hexagon wrench



Philips screwdriver

BEFORE INSTALLATION

1. Please check that all components are present. If not please contact Artos Customer Service
2. Before installation, ensure that all feed lines are clear of debris and on/off valve is present.
3. Ensure water pressure is between 20-125 PSI (includes combination of hot and cold feed lines).
4. Pictures in the manual are general in content and may not represent exactly your purchased faucet. If you are having difficulties please contact a professional plumber.
5. If you will be away from home for an extended period you should shut off the main water supply.

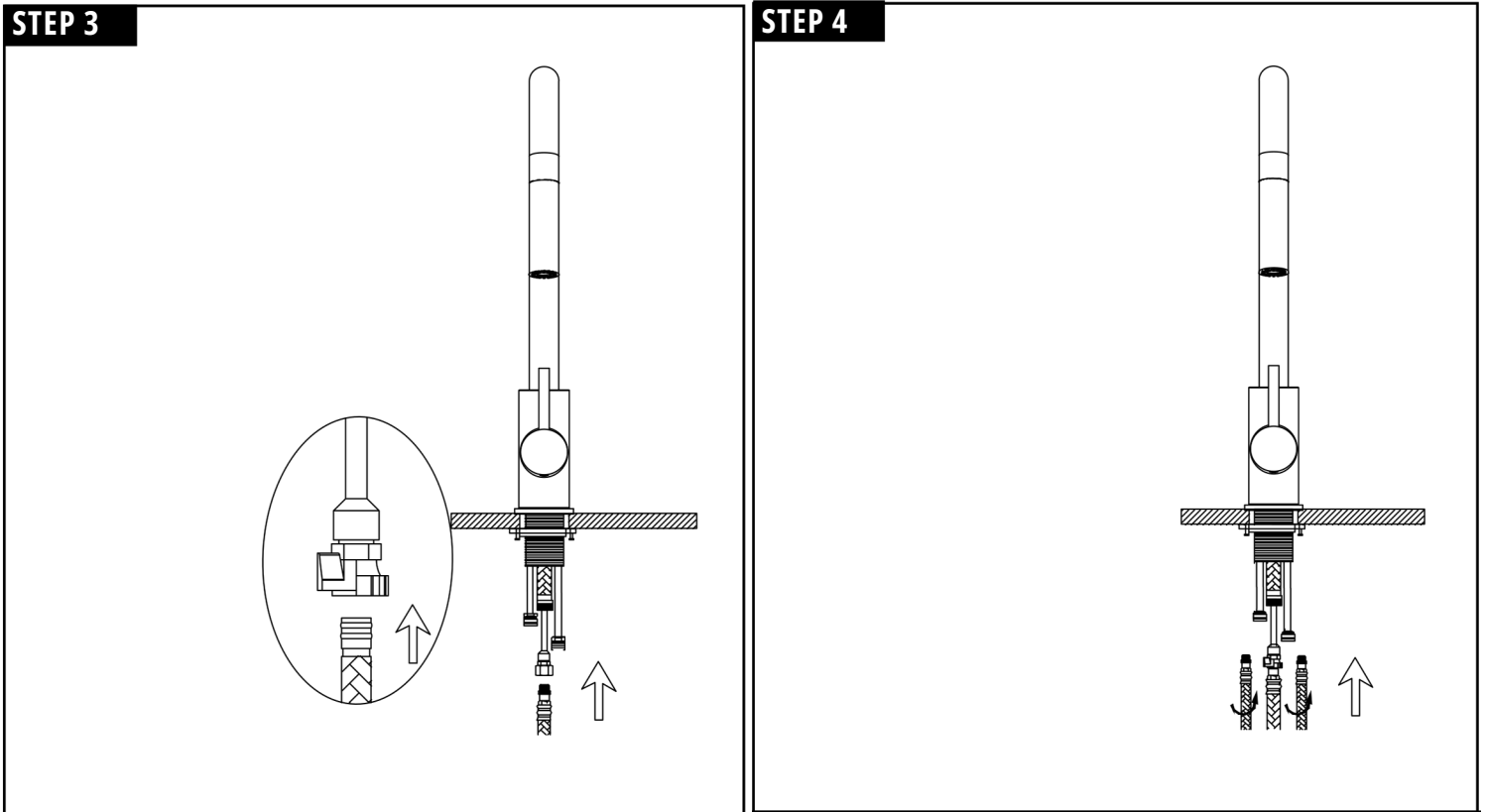


STEP 1

Remove the locking nut, metal washer, rubber washer, and hose connector (if pre-installed) from the faucet assembly. Set these components aside in the order removed for reinstallation.

STEP 2

Install faucet through the center hole, re-install rubber and metal washer followed by the lock nut. If applicable, reinstall the hose connector, ensuring that the small rubber sealing washer is seated properly inside the fitting. Using a screwdriver, evenly tighten the lock-nut screws until the faucet is firmly secured and does not rotate. Do not overtighten, as this may damage the mounting surface.



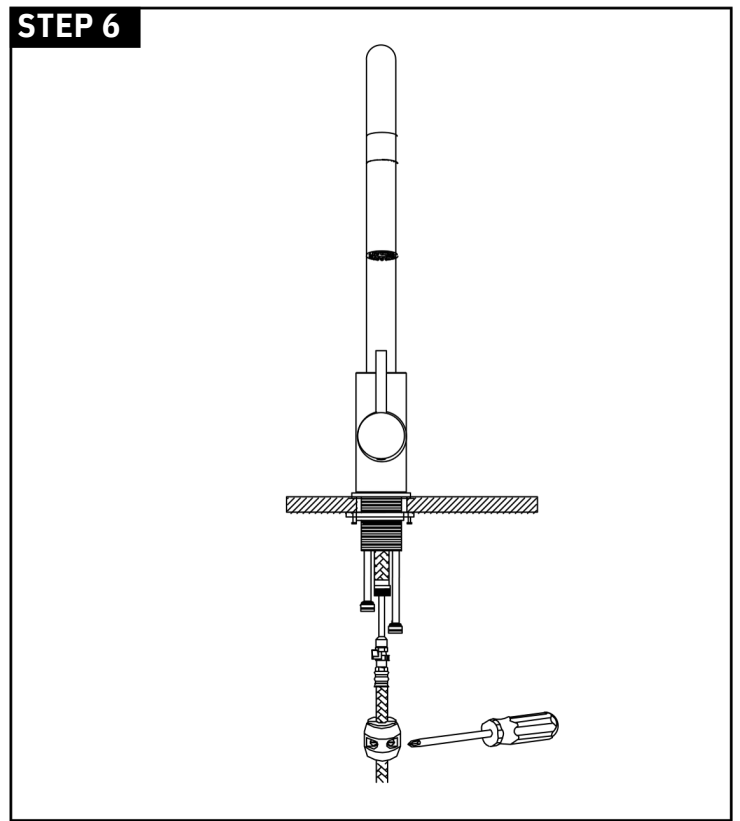
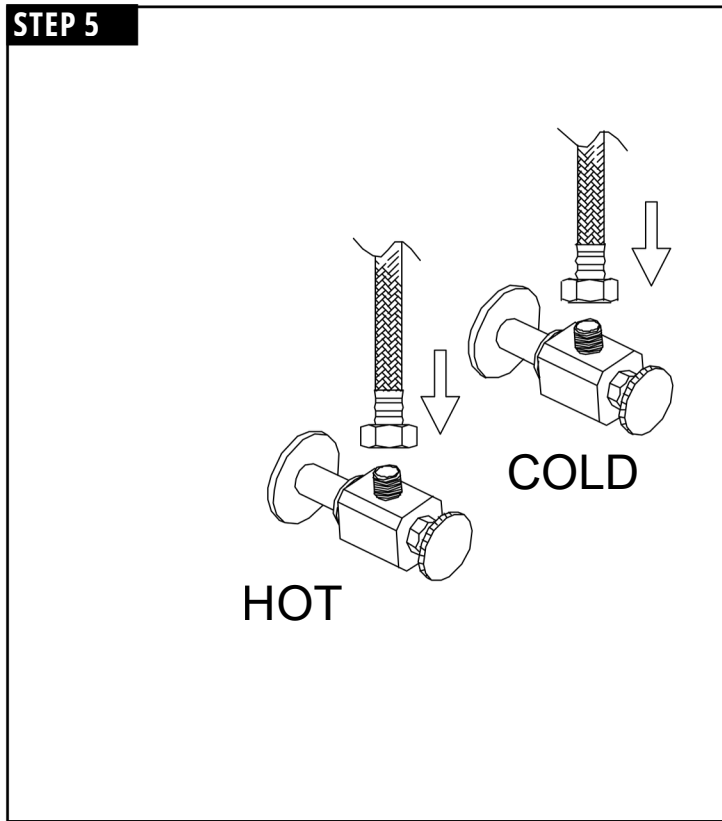
STEP 3

Insert the pull-out hose into the hose connector until an audible click is heard, indicating that the hose is properly engaged. Gently pull on the hose to confirm a secure connection.

STEP 4

Thread the hot and cold flexible lines onto their corresponding faucet connectors (typically hot on the left, cold on the right).

While tightening with a wrench, support the copper faucet lines to prevent twisting or damage. Ensure all connections are snug but not overtightened.



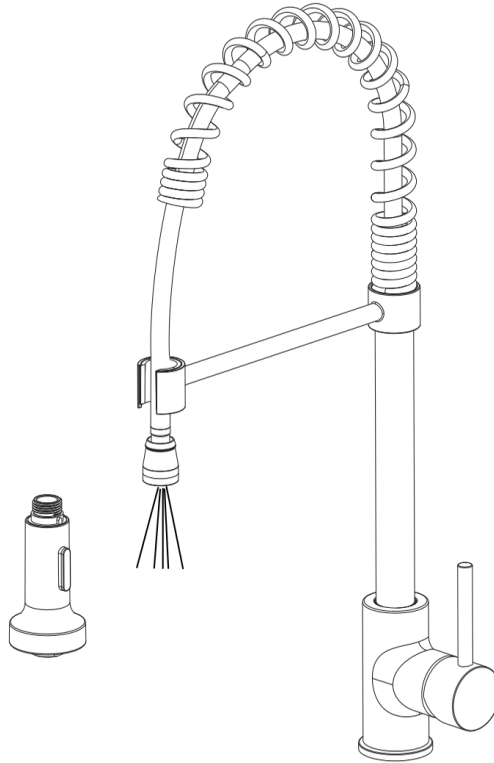
STEP 5

Attach the flexible supply hoses to the respective shut-off valves under the sink. Tighten securely with an adjustable wrench. Check that all connections are properly aligned and free of kinks.

STEP 6

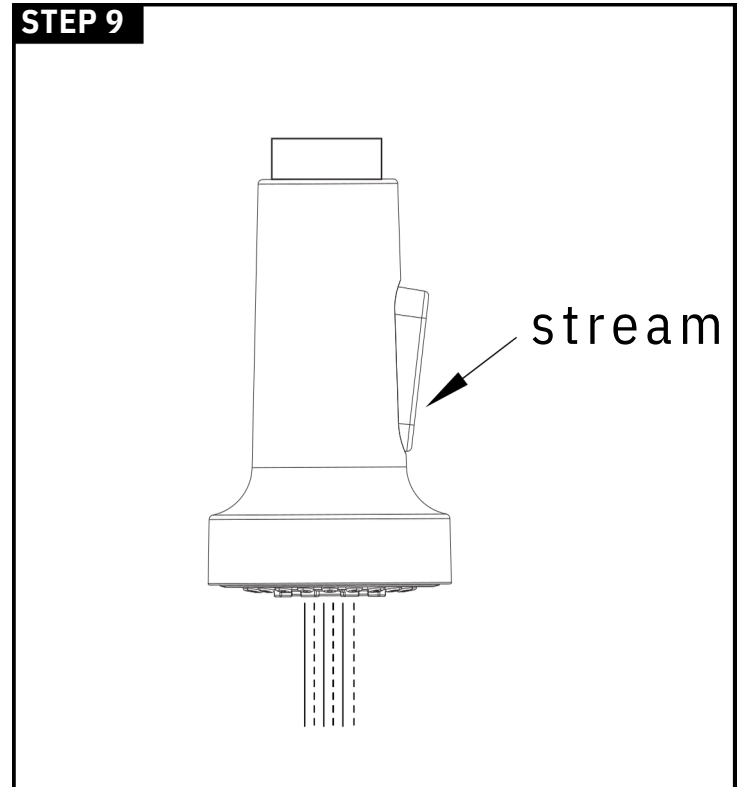
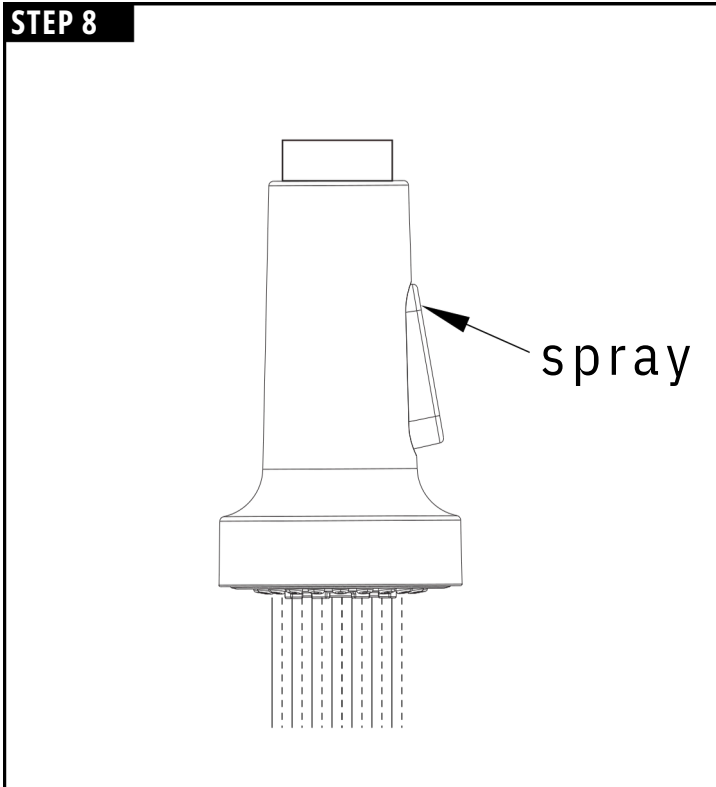
Proper installation of the hose weight kit will ensure that the spray head retracts smoothly. On the spray side of the hose, measure 15" down from the body of the faucet. Install the hose weight kit at this point. Pull out on the spray head. It should move easily and retract smoothly. Reposition the hose weight kit as necessary.

STEP 7



STEP 7

Hold onto the spray-head hose, unscrew spray head and remove it along with the rubber washer. Turn on the faucet to flush the hose and feed line for 1-minute to flush debris. After flushing, turn off the water, reinstall the rubber washer and spray head, and ensure it is securely tightened.



STEP 8

Turn on the faucet and press the upper button on the spray head to activate the spray mode. Check for proper flow and ensure there are no clogs in silicone jet nozzles.

STEP 9

Press the lower button on the spray head to return to stream mode. Verify smooth operation between spray and stream settings and inspect all joints for leaks.

F100142

Spring Kitchen Faucet With Pulldown Spray

artos®

PARTS BREAKDOWN

- ① Hose Spray
- ② Check Valve
- ③ Sleeve
- ④ Holder
- ⑤ Hose
- ⑥ Spring Spout
- ⑦ Hex Screw
- ⑧ RETAINER
- ⑨ ORING
- ⑩ RETAINER
- ⑪ SPOUT
- ⑫ ORING
- ⑬ BODY
- ⑭ CARTRIDGE
- ⑮ CARTRIDGE SECURING NUT
- ⑯ DRESS RING
- ⑰ HANDLE
- ⑱ HANDLE
- ⑲ CARTRIDGE SECURING NUT
- ⑳ DRESS RING
- ㉑ HANDLE
- ㉒ HEX SCREW
- ㉓ SCREW COVER
- ㉔ ALLEN KEY
- ㉕ HUB BASE
- ㉖ O-RING
- ㉗ SHANK
- ㉘ LOCK NUT
- ㉙ SCREW
- ㉚ SUPPLY HOSE

