

F100139

Transitional Kitchen Faucet with Pulldown Spray

artos®

INSTALLATION GUIDE



F100139

Transitional Kitchen Faucet with Pulldown Spray

artos®

OPERATING SPECIFICATIONS



OPERATING TEMPERATURE

Maximum: 176°

OPERATING PRESSURE

Minimum: 20psi

Maximum: 125psi

Recommended: 25psi-70psi

FLOW RATE

1.8 USGPM @ 60psi

INSTALLATION DIMENSIONS

Max Countertop Thickness: 1 1/2"

Countertop Hole Dimension: 1-3/8"

Countertop Hole Stainless Steel Dimension: 1-3/4"

FEATURES

1-Hole Installation

Ceramic Disc Cartridge

Magnetic Docking Spray Head

STANDARDS

Certified to CUPC

Certified to AB1953

Certified to NSF/ANSI 61

ADA for lever handle

To view all standards, please visit product approvals in our learning hub at artos.us.com



2

WESTOVER, INC

4011 S 60TH ST, OMAHA, NE 68117

WWW.ARTOS.US.COM

T: 402-397-3344

All technical specifications, product details, and pricing are subject to change without prior notice. Artos makes every effort to ensure accuracy; however, errors or omissions may occur. It is the responsibility of the installer, designer, or purchaser to verify all critical dimensions, installation requirements, and compliance with applicable codes prior to use.

Artos assumes no liability for damages, losses, or injuries resulting from the use of this documentation or from product installation, operation, or maintenance performed outside of Artos instructions and applicable codes. Product warranties are limited to those expressly stated by Artos. Please refer to official warranty documentation for complete terms and conditions.

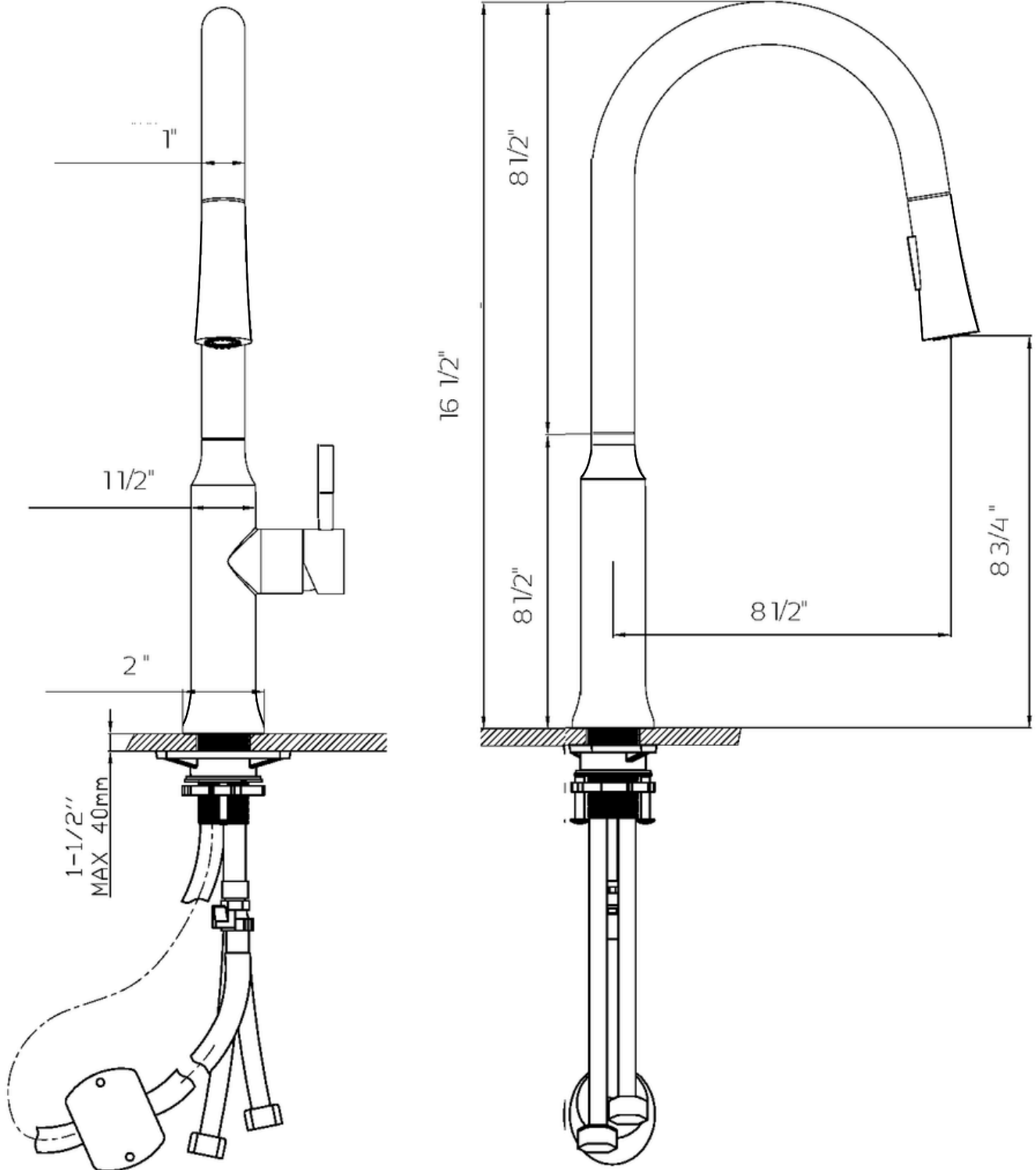
All drawings, manuals, and specifications are the property of Artos and may not be reproduced, distributed, or altered without prior written permission.

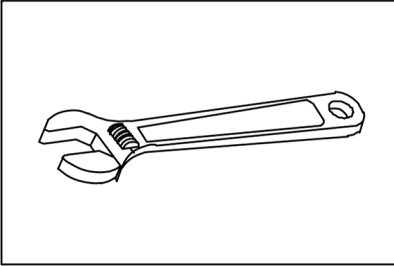
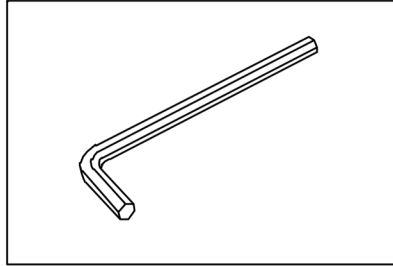
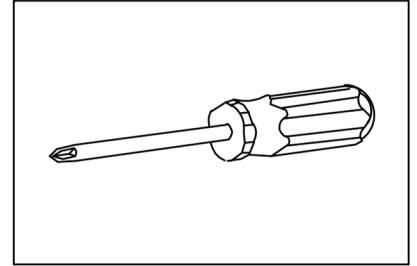
F100139

Transitional Kitchen Faucet with Pulldown Spray

artos®

PRODUCT DIMENSIONS

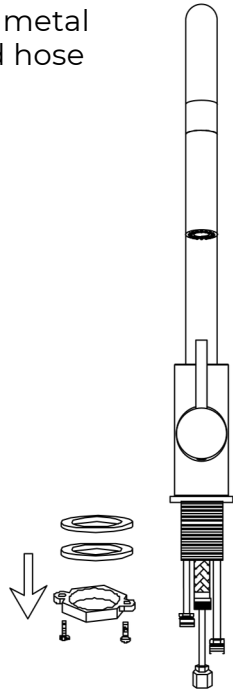


TOOLS FOR INSTALLATION**Adjustable wrench****Hexagon wrench****Philips screwdriver****INSTALLATION STEPS**

1. Please check that all components are present.
2. Before installation, ensure that all feed lines are clear of debris and on/off valve is present.
3. Ensure water pressure is between 20-125 PSI (includes combination of hot and cold feed lines).
4. Pictures in the manual are general in content and may not represent exactly your purchased faucet. If you are having difficulties, please contact a professional plumber.
5. If you will be away from home for an extended period, you should shut off the main water supply

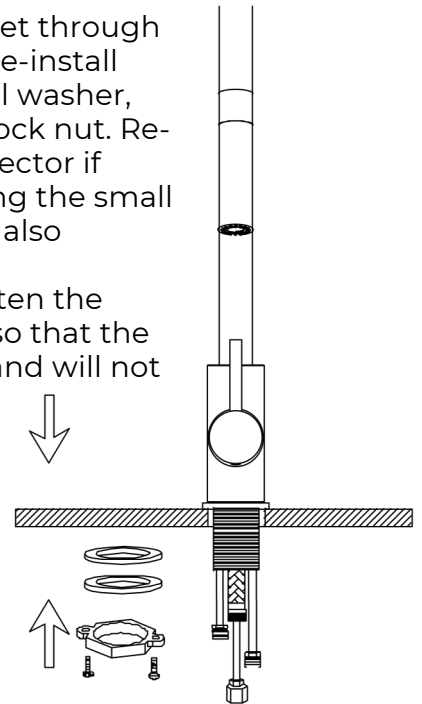
STEP 1

1. Remove locking-nut, metal and rubber washer and hose connector if installed.



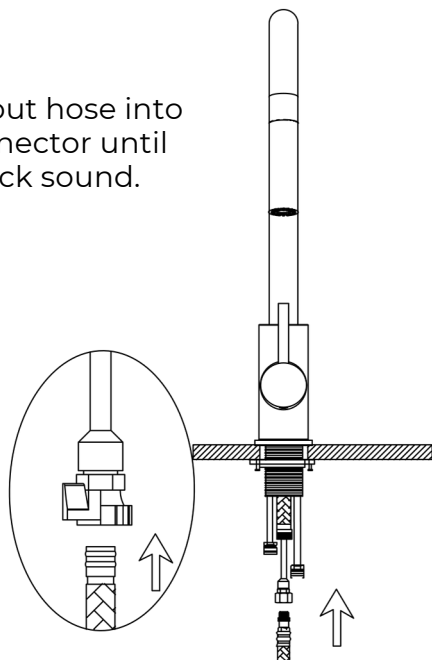
STEP 2

2. Install the faucet through the center hole, re-install rubber and metal washer, followed by the lock nut. Re-install hose connector if removed, ensuring the small rubber washer is also installed. Using a screwdriver, tighten the lock-nut screws so that the faucet is secure and will not twist.



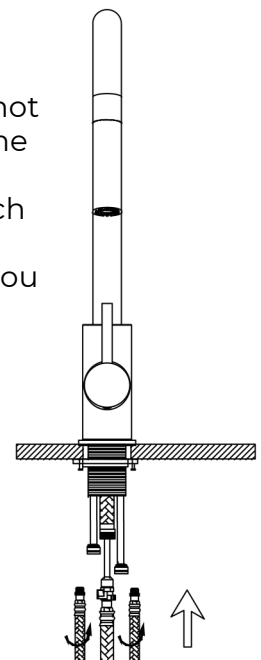
STEP 3

3. Push pull-out hose into the hose connector until you hear a click sound.



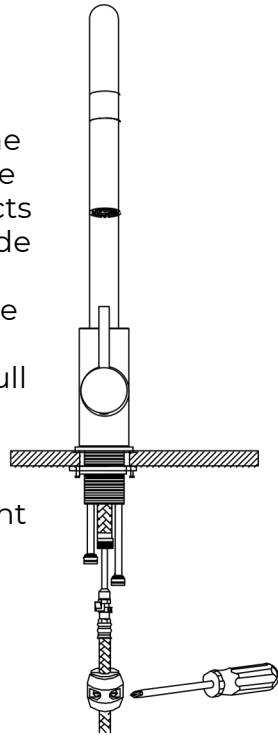
STEP 4

4. Screw and tighten the hot and cold flexible lines to the corresponding faucet connectors. Using a wrench ensure that the copper faucet lines are stable as you tighten the braided feed lines.



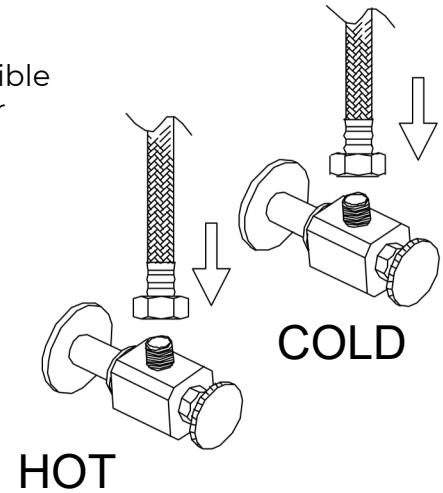
STEP 5

5. Proper installation of the hose weight kit will ensure that the spray head retracts smoothly. On the spray side of the hose, measure 15" down from the body of the faucet. Install the hose weight kit at this point. Pull out on the spray head. It should move easily and retract smoothly. Reposition the hose weight kit as necessary.



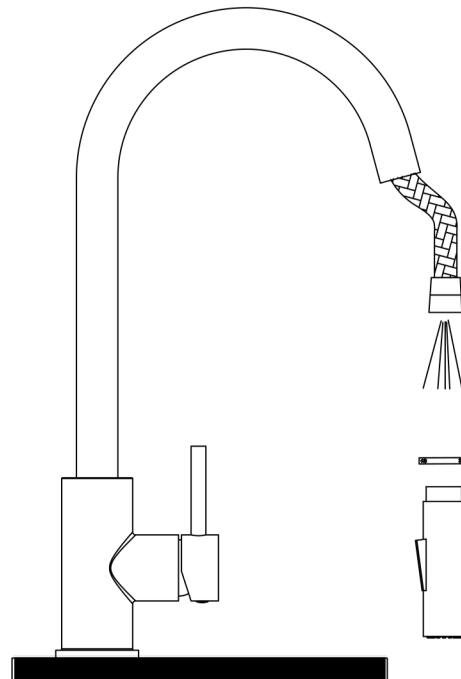
STEP 6

6. Attach flexible hose to water supply.



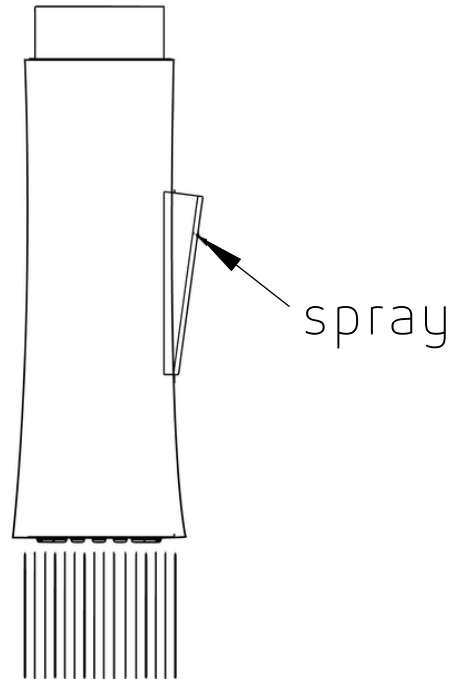
STEP 7

7. Hold onto the spray-head hose, unscrew the spray head, and remove it along with the rubber washer. Turn on the faucet to flush the hose and feed line for 1-minute to flush debris. Turn off the faucet and re-install the rubber washer and spray head.



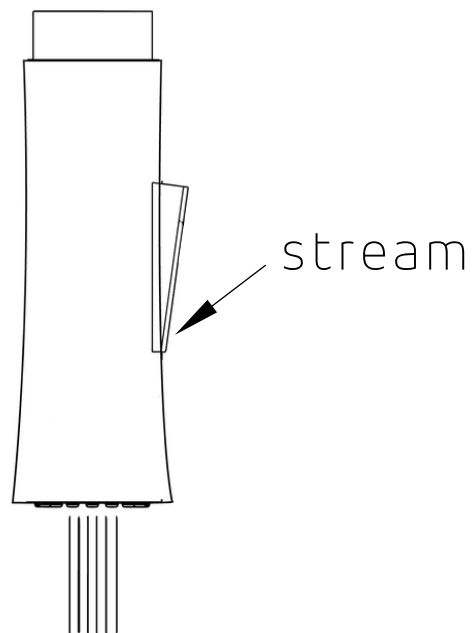
STEP 8

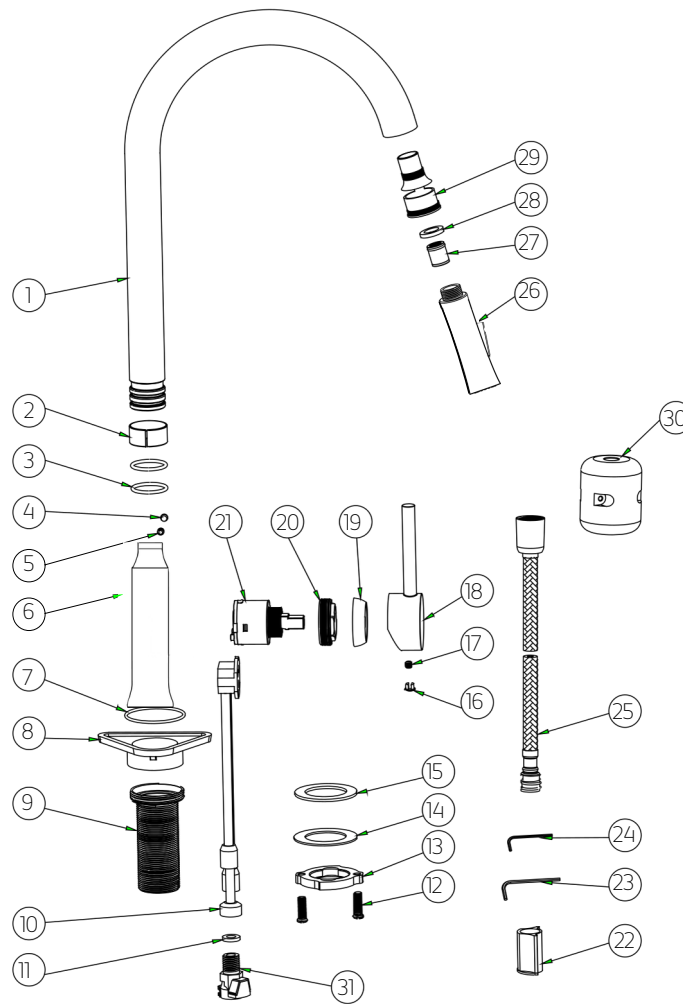
8. Turn the faucet on and press the top of the spray head button to change to the spray.



STEP 9

9. Turn the faucet on and press the bottom of the spray head button to change to stream.





- | | |
|------------------------------|--------------------------|
| ① SPOUT | ⑱ HEX SCREW |
| ② O-RING | ⑲ HANDLE |
| ③ O-RING | ⑲ DRESS RING |
| ④ SILICON NUT | ⑲ CARTRIDGE SECURING NUT |
| ⑤ HEX SCREW | ⑲ CARTRIDGE |
| ⑥ BODY | ⑲ PROTECTIVE TUBE |
| ⑦ O-RING | ⑲ ALLEN KEY |
| ⑧ PLASTIC HOLDER | ⑲ ALLEN KEY |
| ⑨ SHANK | ⑲ PULL OUT HOSE |
| ⑩ CARTRIDGE SEAT & CONNECTOR | ⑲ HOSE SPRAY |
| ⑪ SEAT O-RING | ⑲ CHECK VALVE |
| ⑫ SCREW | ⑲ VALVE O-RING |
| ⑬ LOCK NUT | ⑲ BUSH |
| ⑭ SUS WASHER | ⑲ WEIGHT |
| ⑮ WASHER | ⑳ QUICK KIT CONNECTOR |
| ⑯ SCREW COVER | |