

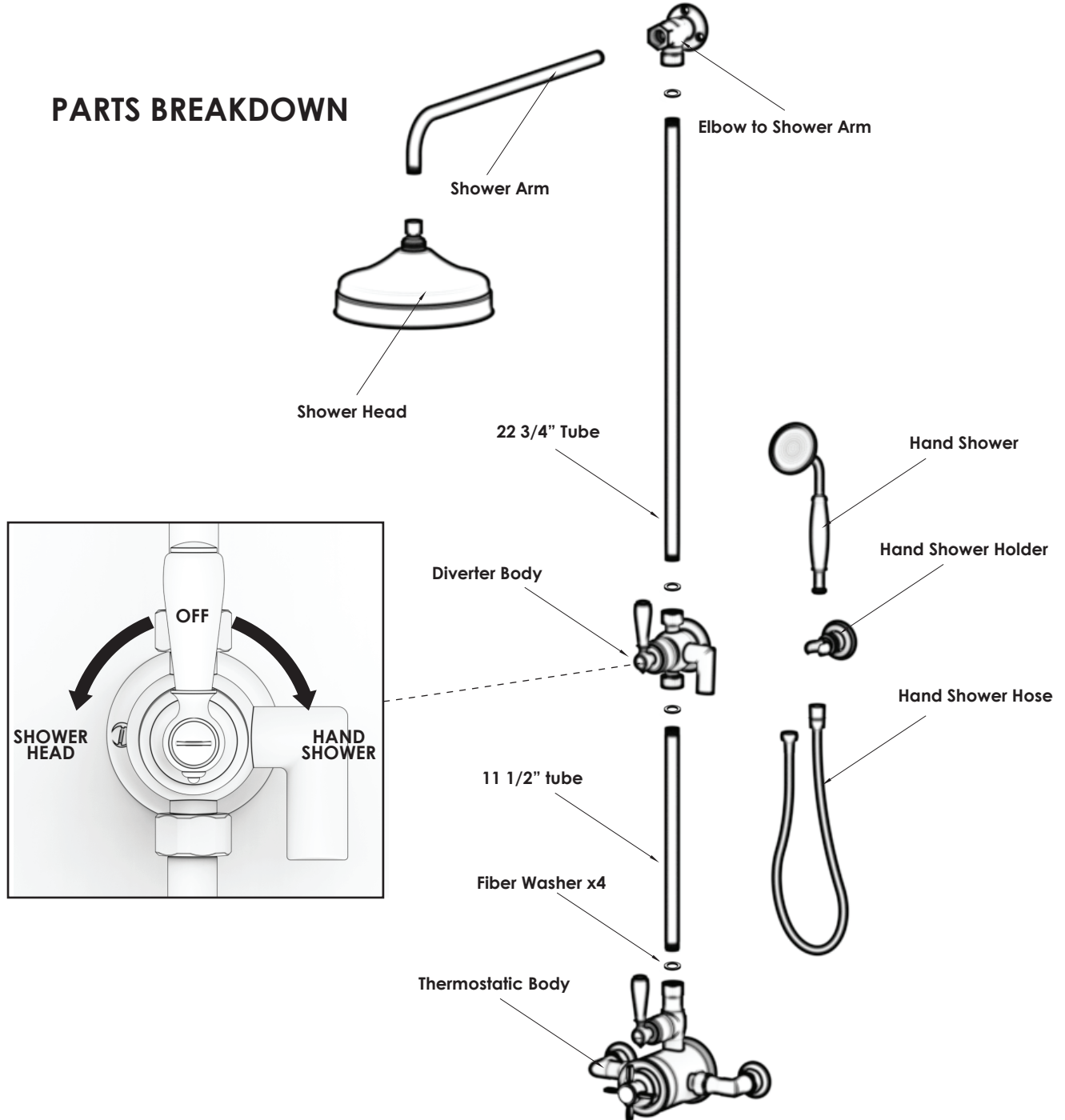
# INSTALL INSTRUCTIONS FOR: Exposed Shower w/ Hand Shower

- WE RECOMMEND THAT ALL PLUMBING PRODUCTS BE INSTALLED BY A LICENSED PROFESSIONAL

**IMPORTANT:** Thoroughly read instructions before installation.

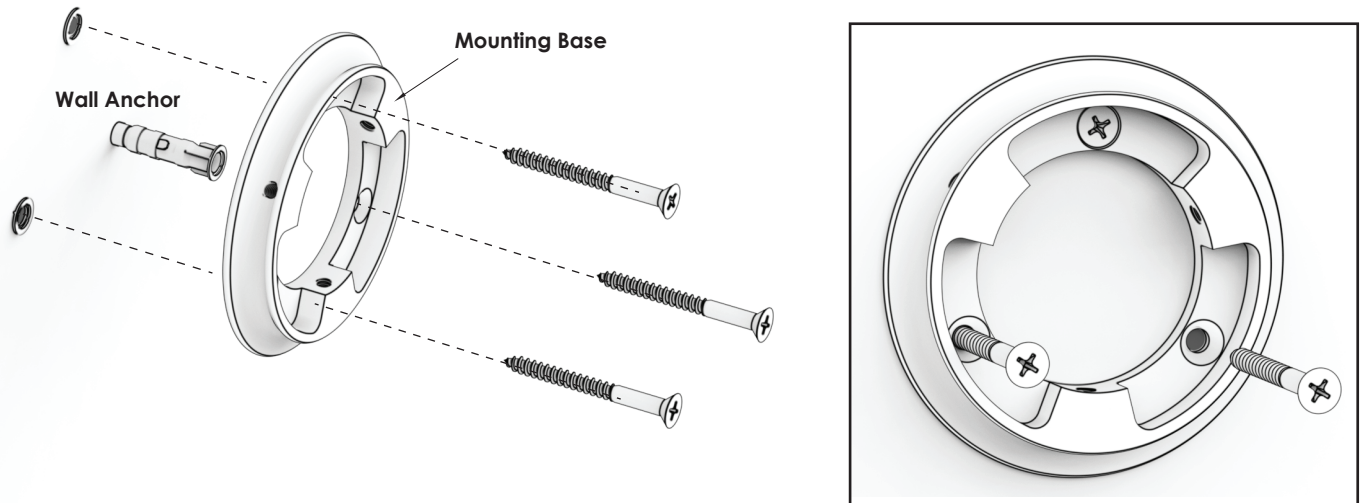
**BEFORE STARTING THE INSTALLATION** - Use the *mounting template provided* to determine thermostatic body placement. **When you are done marking, proceed to page 2 , Therm Body Installation**

## PARTS BREAKDOWN

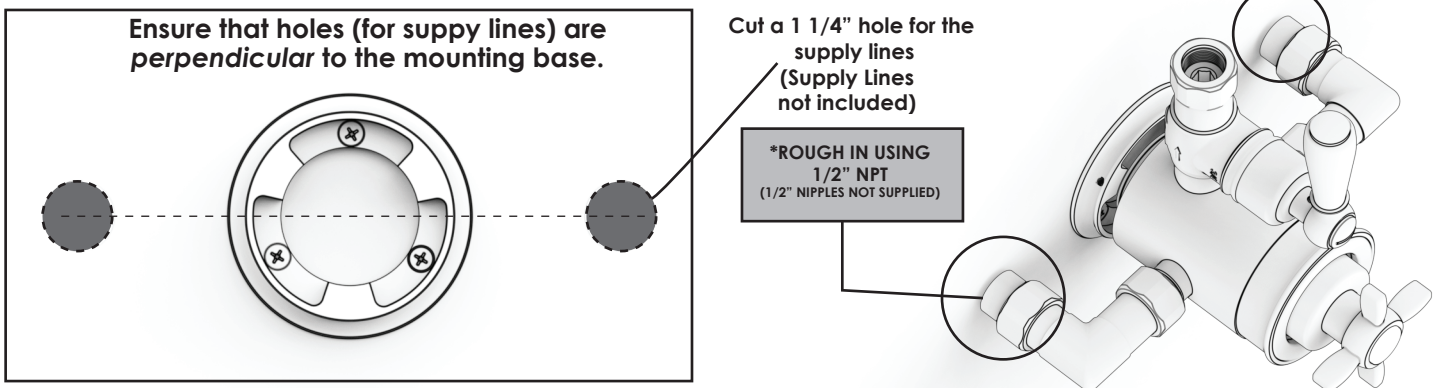


## ■ THERMOSTATIC BODY INSTALLATION

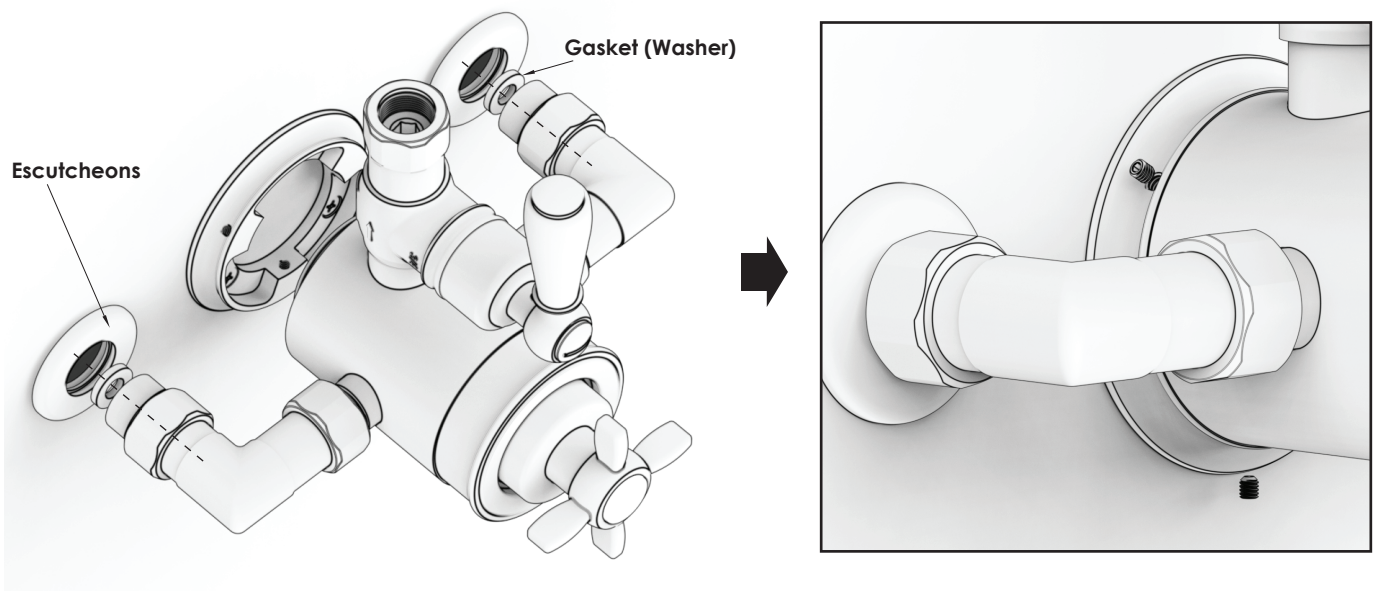
Once the markings are set, install anchors, then use the screws to mount the **mounting base** unto the wall. ( As seen below)



After mounting the base, it is time to mark the positioning of the holes for the supply lines. Use the **Thermostatic body as a guide**, place the body into the mounting base to determine the hole placements.



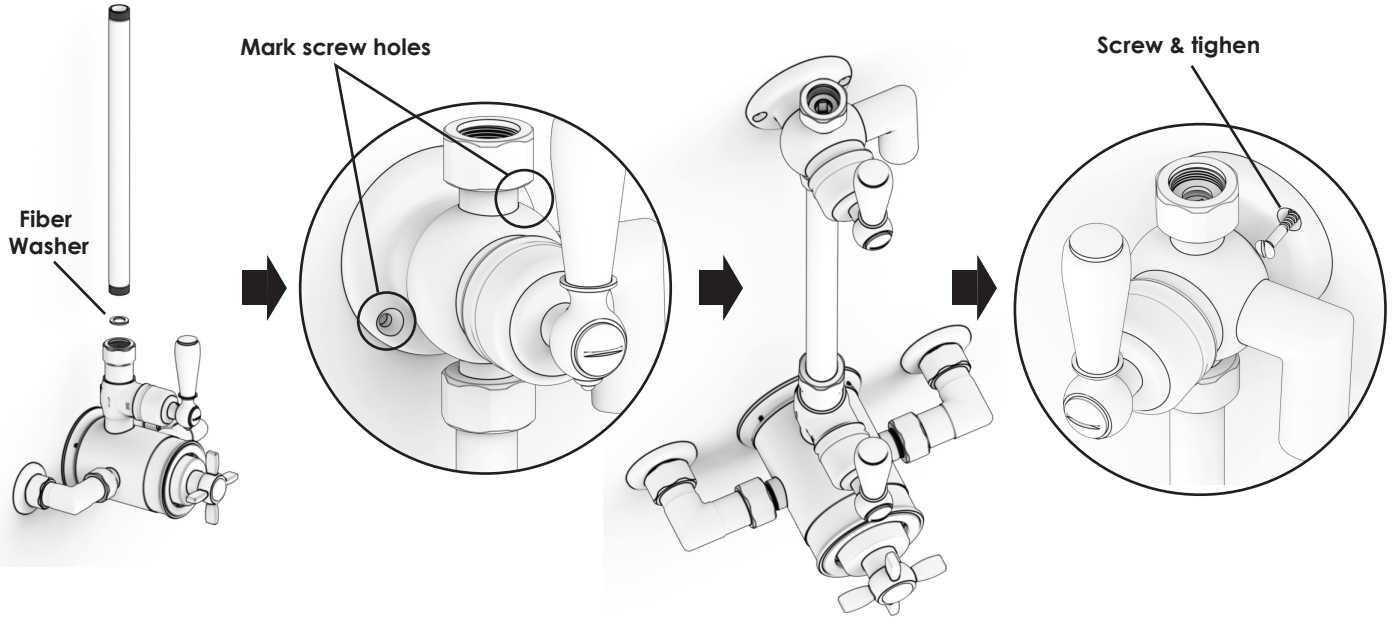
And now you are ready to install the Thermostatic Body completely. Ensure the **escutcheons** are inserted before tightening the **set screws** that mounts the thermostatic body.



## ■ TUBES AND DIVERTER BODY INSTALLATION

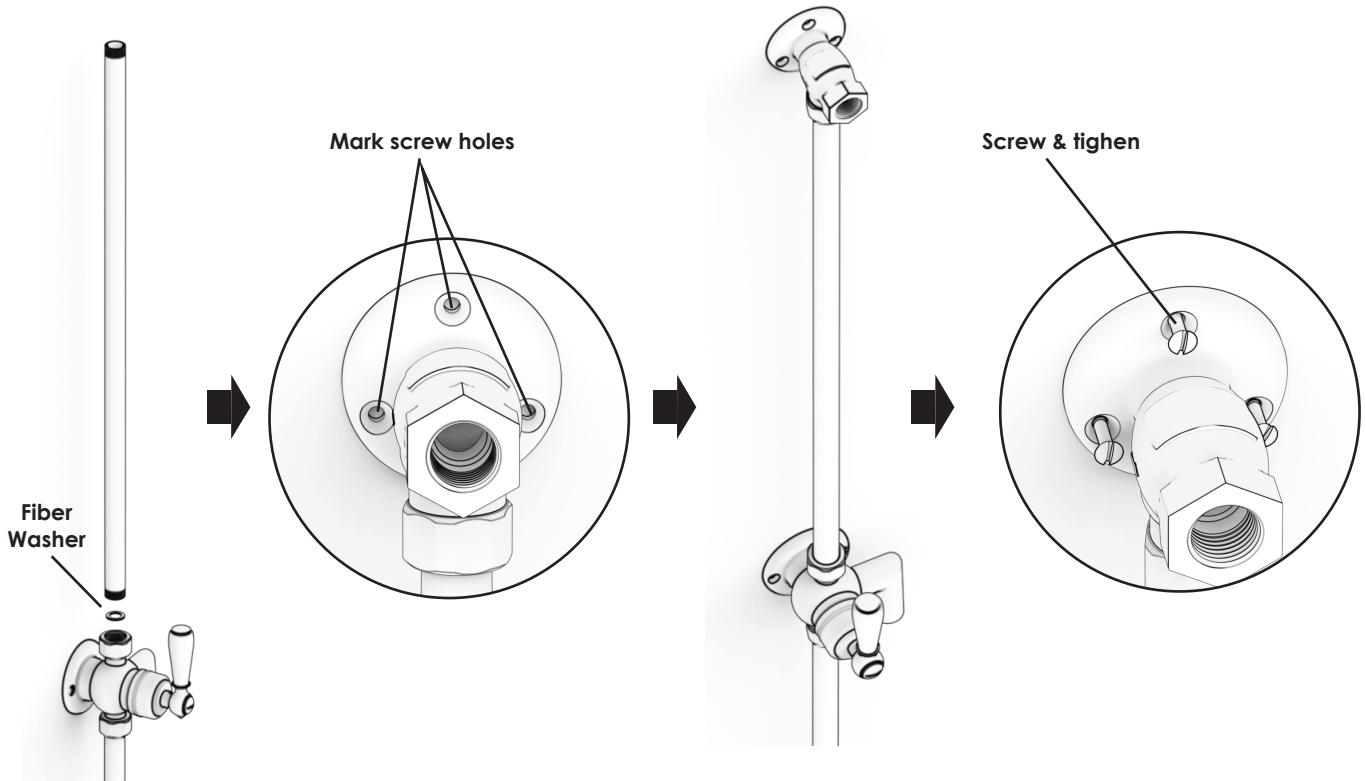
The same installation will be applied in the next steps. **Install the 11 1/2" tube unto the Therm Body, then screw in the diverter body so that you can determine the screw holes that will tighten the body unto the wall. ( Do not screw yet).** Install the Wall anchors then screw in once the mark has been located.

**NOTE: Fiber Washer are needed at all water connections. Ensure Fiber washer is inserted before the tube are installed.**



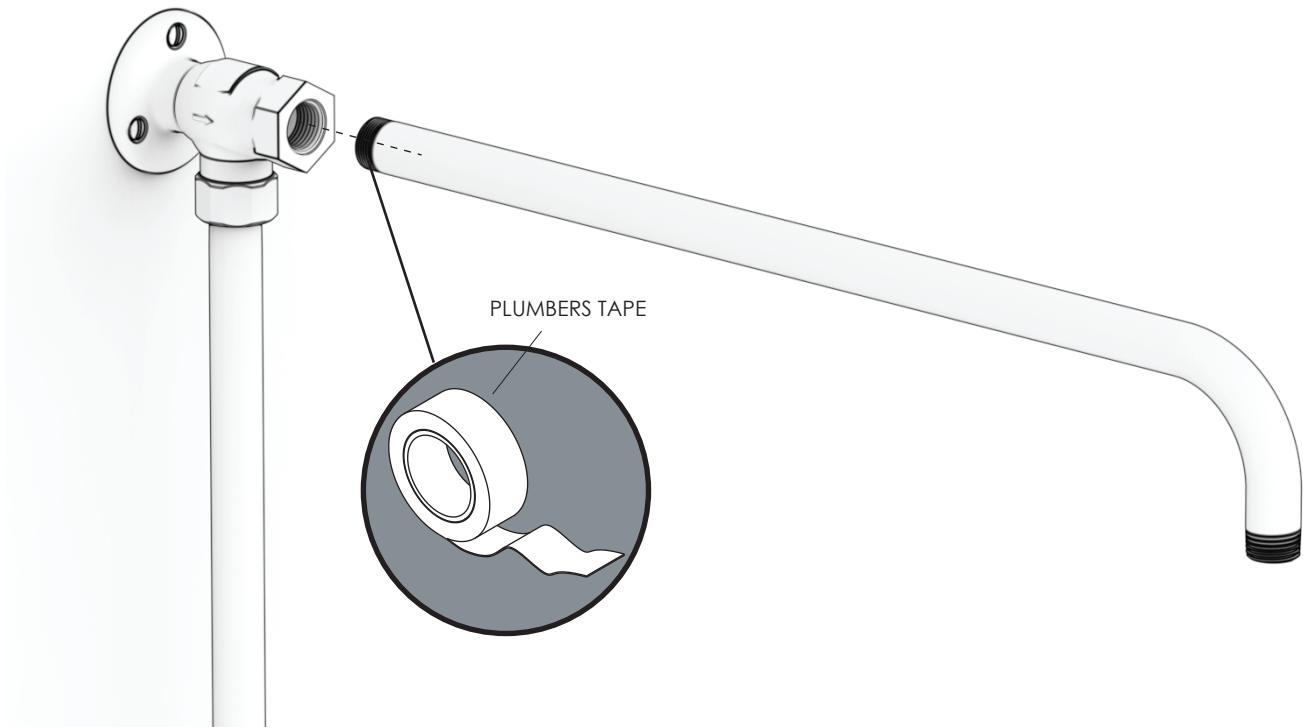
The same process will be used for the **installation of the upper tube ( 22 3/4" size) and the Elbow to Shower Arm body.**

**NOTE: Fiber Washer are needed at all water connections. Ensure Fiber washer is inserted before the tube are installed.**

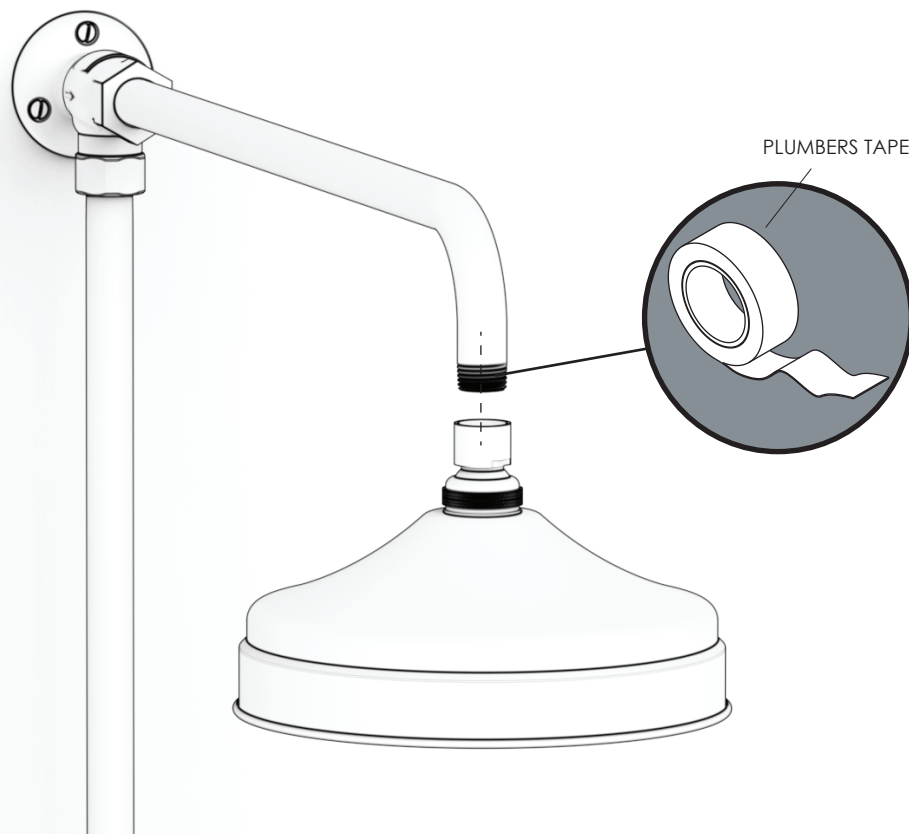


## ■ SHOWER ARM & SHOWER HEAD INSTALLATION

After installing **the body and the shower tubes**, install / insert shower arm (**use plumber's tape to NPT Thread**) unto the *shower arm body*.

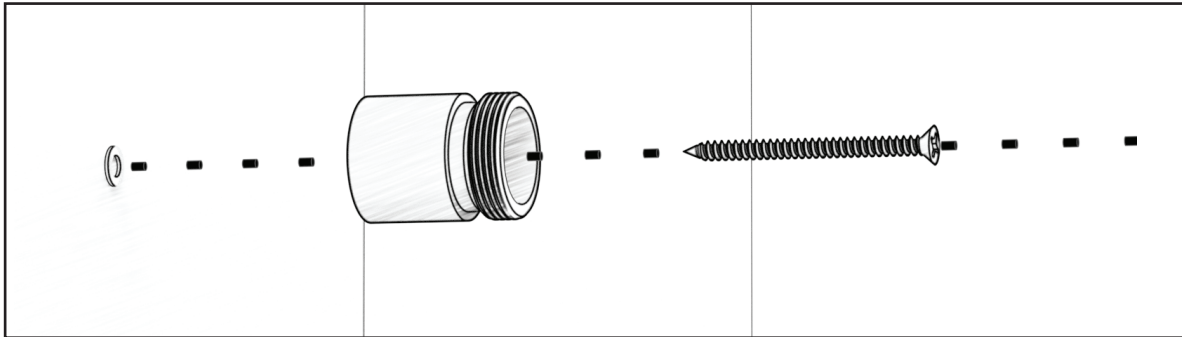


And now install the shower head. (**use plumber's tape to NPT Thread**)

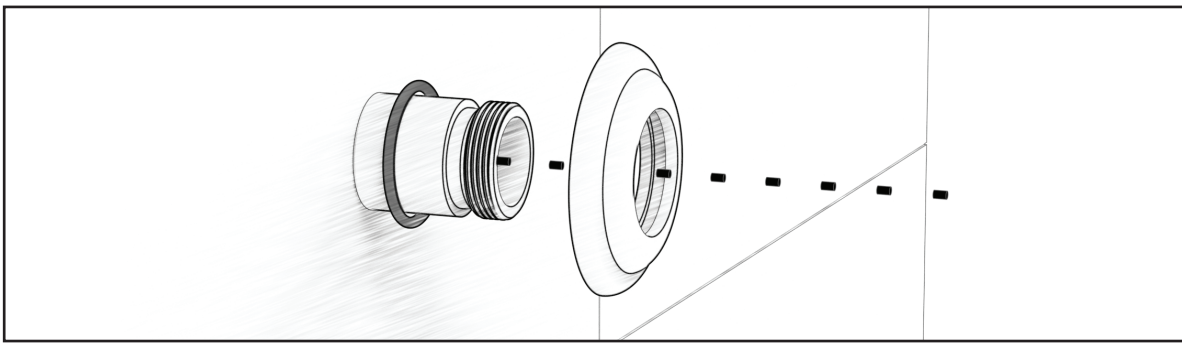


## ■ HAND HELD SHOWER WALL BRACKET INSTALLATION

Determine the location of the **wall bracket as desired**. Drill a pilot hole for dry wall screw anchor. Install anchor into finished wall. Install wall bracket body using dry wall screw.

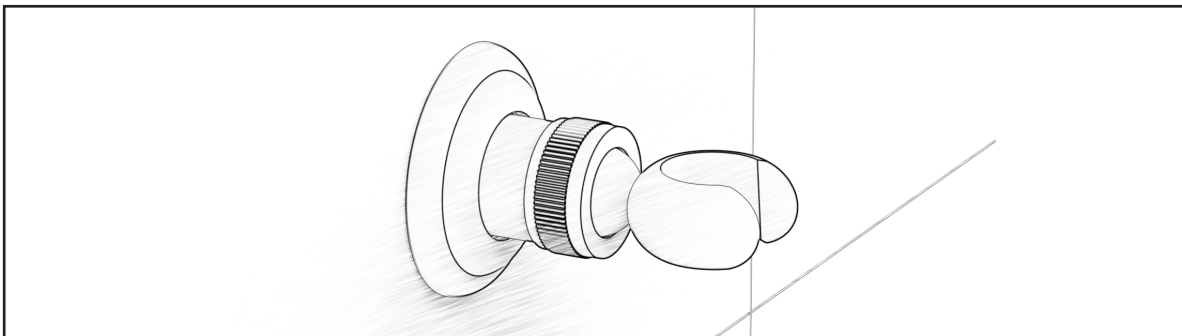
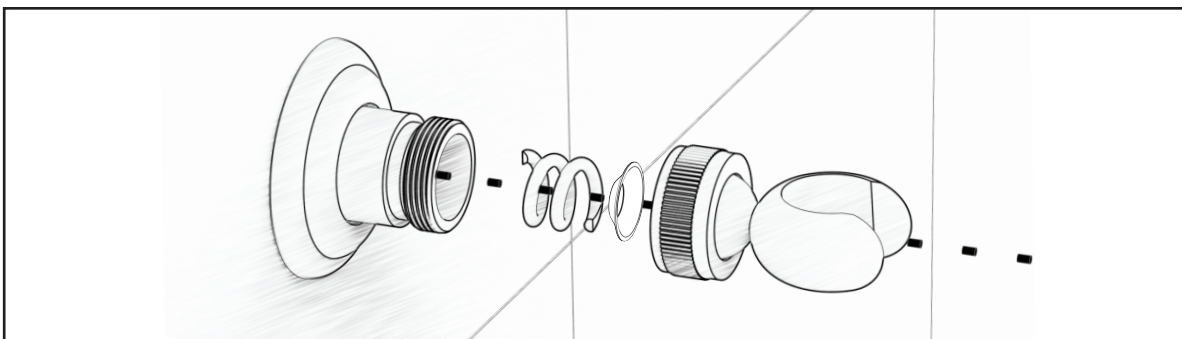


Slide **flange and o-ring** onto the bracket body.



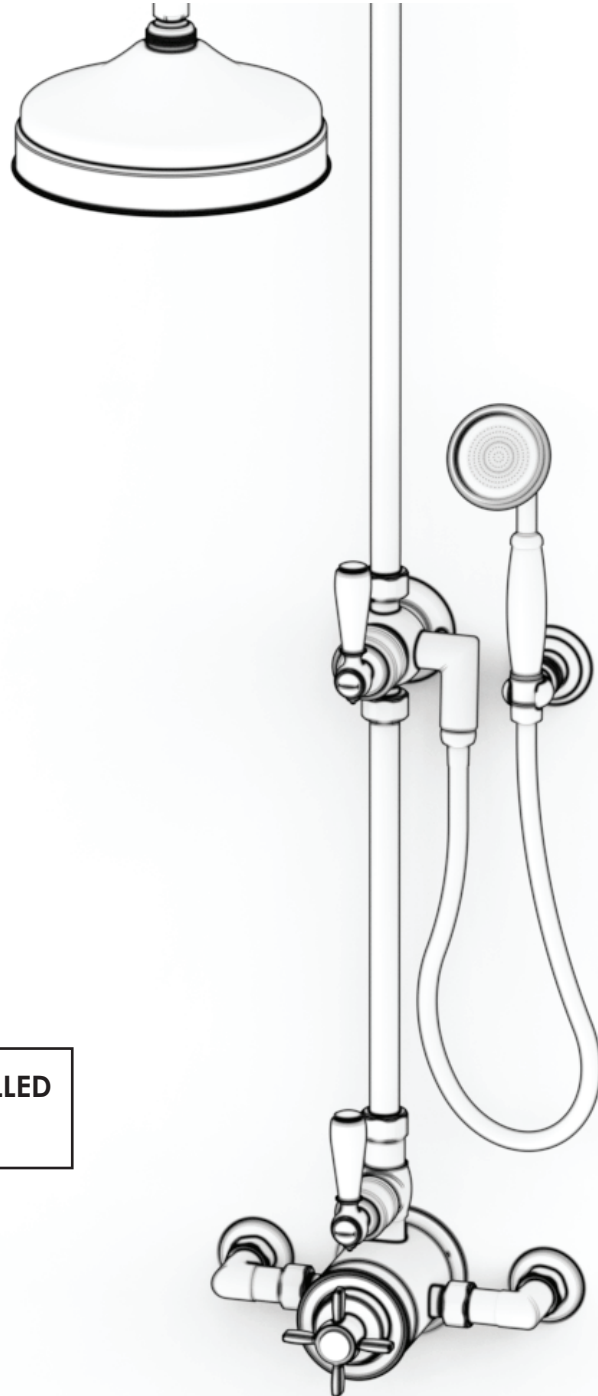
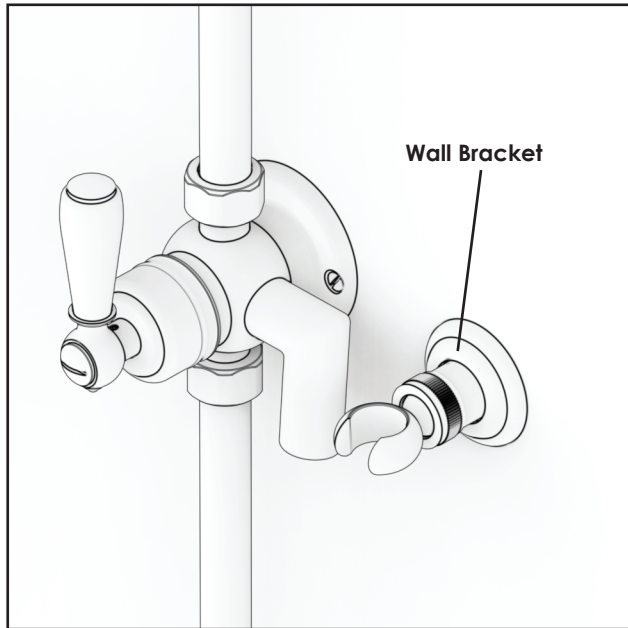
Insert **spring and washer** into bracket body then followed by the **hook assembly**.

**NOTE:** the hook is tapered to accept the cone fitting of hand shower hose. If the hose will not slide into the hook, rotate the hook assembly 180°



## ■ HOSE & HAND SHOWER INSTALLATION

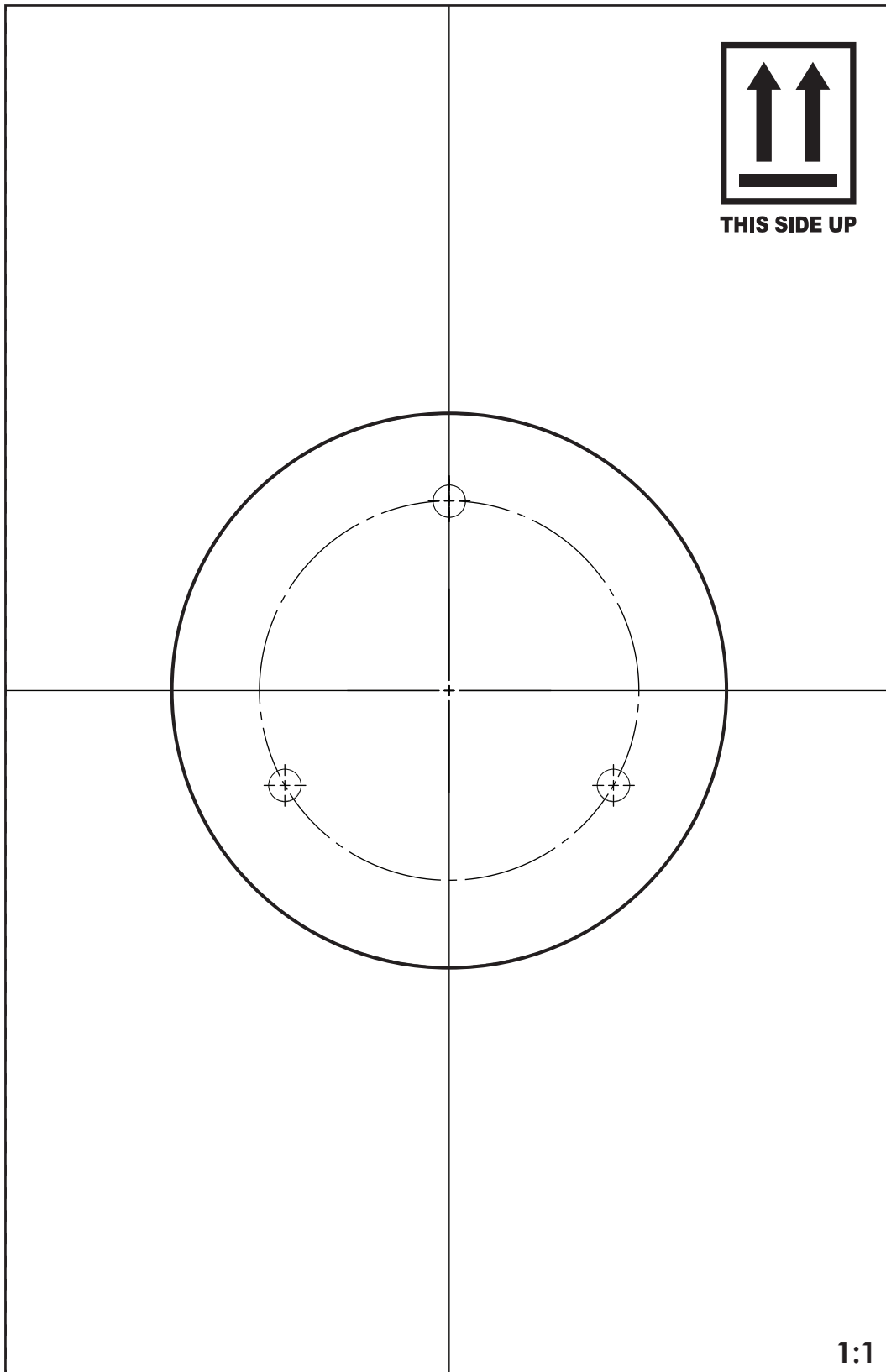
After the installation of the **Wall Bracket**, connect the hose onto the diverter body and then connect the other end to the **hand shower**.



**CONGRATULATIONS, YOU HAVE INSTALLED  
THE EXPOSED SHOWER SET!**

# MOUNTING TEMPLATE FOR THERMOSTATIC BODY PLACEMENT

After deciding on the placement of the exposed shower and hand shower, use this guide to carefully mark the screw hole locations. ***This step is crucial, as it ensures the proper alignment of the entire shower assembly.***



When you are done marking, proceed to page 2 , Therm Body Installation