

# artos<sup>®</sup>

## C06090W

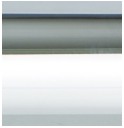
## INSTALLATION GUIDE

cadiz towel warmer,  
hardwired

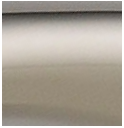
BRUSHED NICKEL(BN)



CHROME(CH)



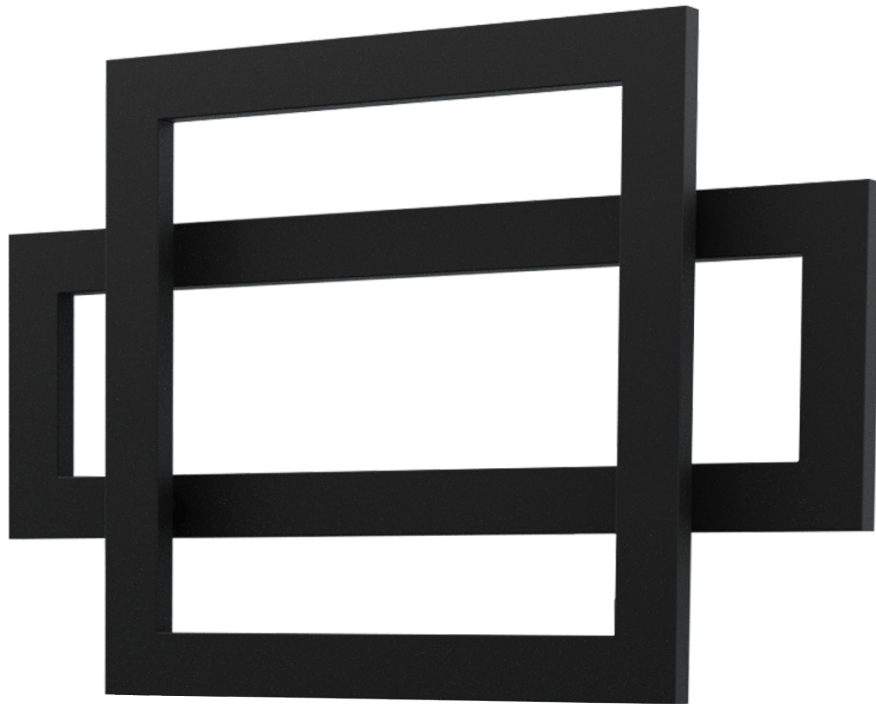
POLISHED NICKEL(PN)



BLACK(BK)



WHITE(WH)

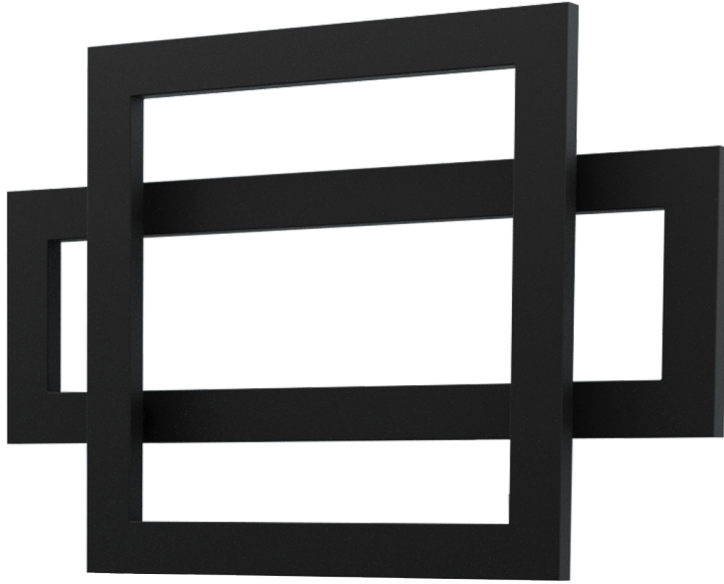


# artos<sup>®</sup>

C06090W

cadiz towel warmer,  
hardwired

## OPERATING SPECIFICATIONS



### FEATURES

Towel warming, drying and auxiliary heating.

### ELEMENT

300W, 110V

### CODES

UL Approved  
CSA-US Approved

### REQUIREMENTS

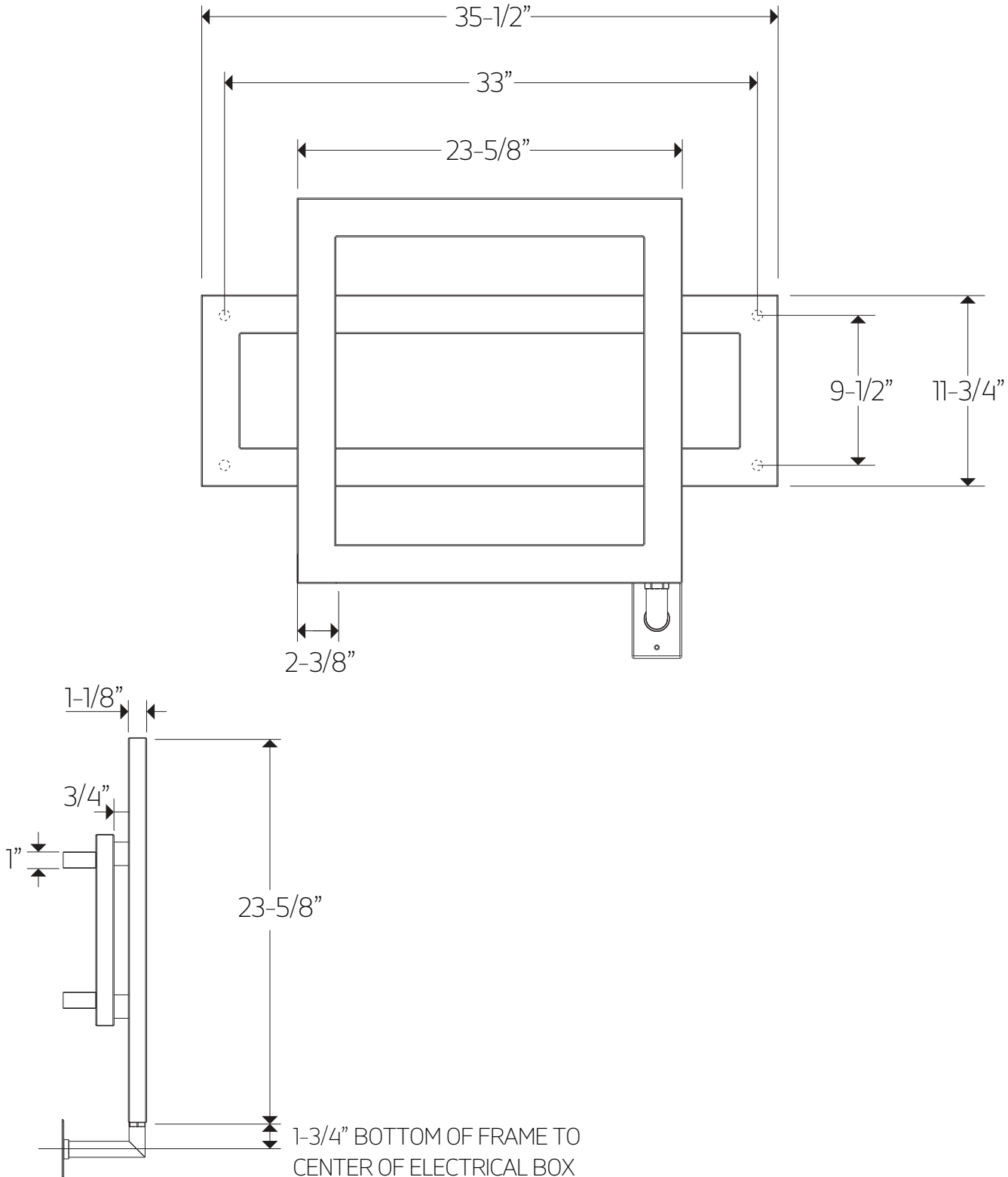
The towel warmer must be installed so that the Element is at the bottom.

# artos<sup>®</sup>

C06090W

## PRODUCT DIMENSIONS

cadiz towel warmer,  
hardwired



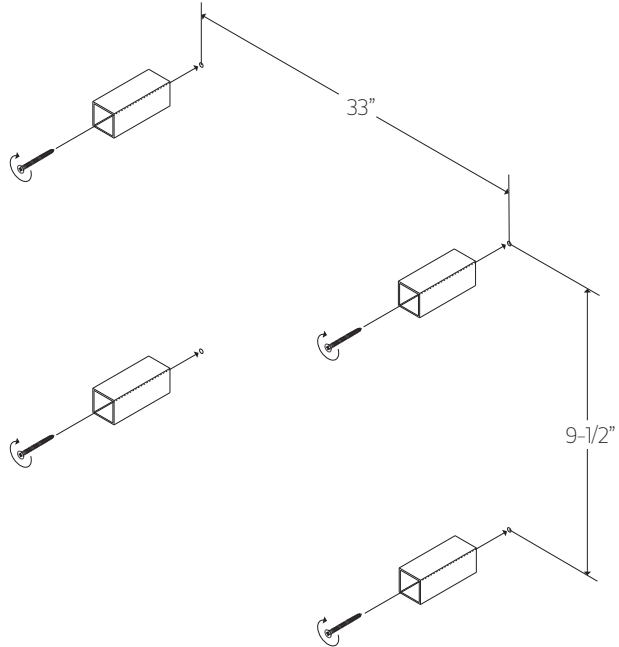
# artos<sup>®</sup>

## C06090W

cadiz towel warmer,  
hardwired

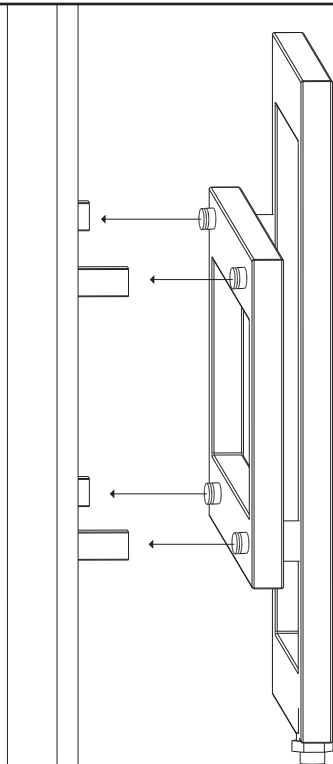
### STEP 1

**\*ALL DIMENSIONS ARE APPROXIMATE. PLEASE MEASURE UNIT BEFORE INSTALLATION**



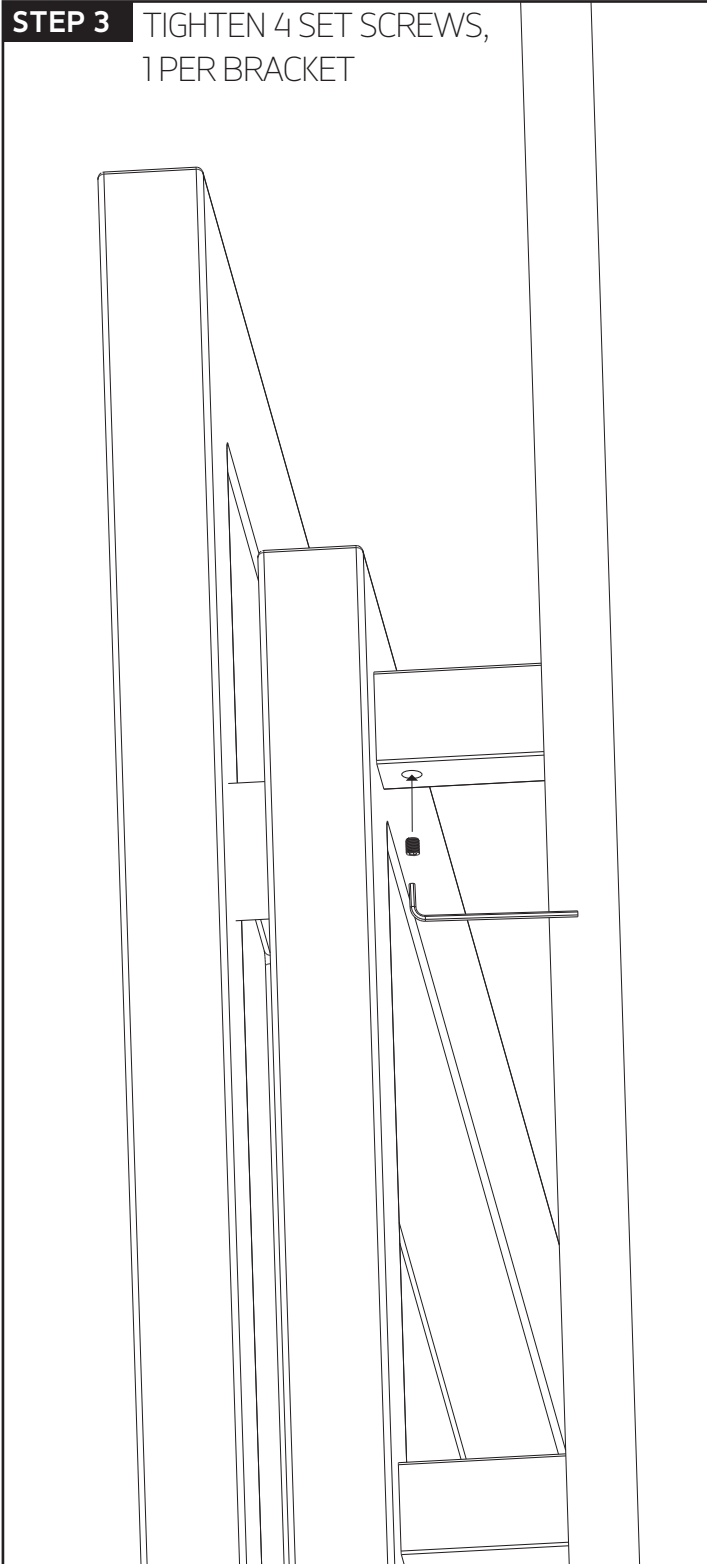
WE RECOMMEND THAT  
AT LEAST 2 OF THE  
WALL BRACKETS ARE  
SECURED INTO A STUD  
OR BACKER

### STEP 2

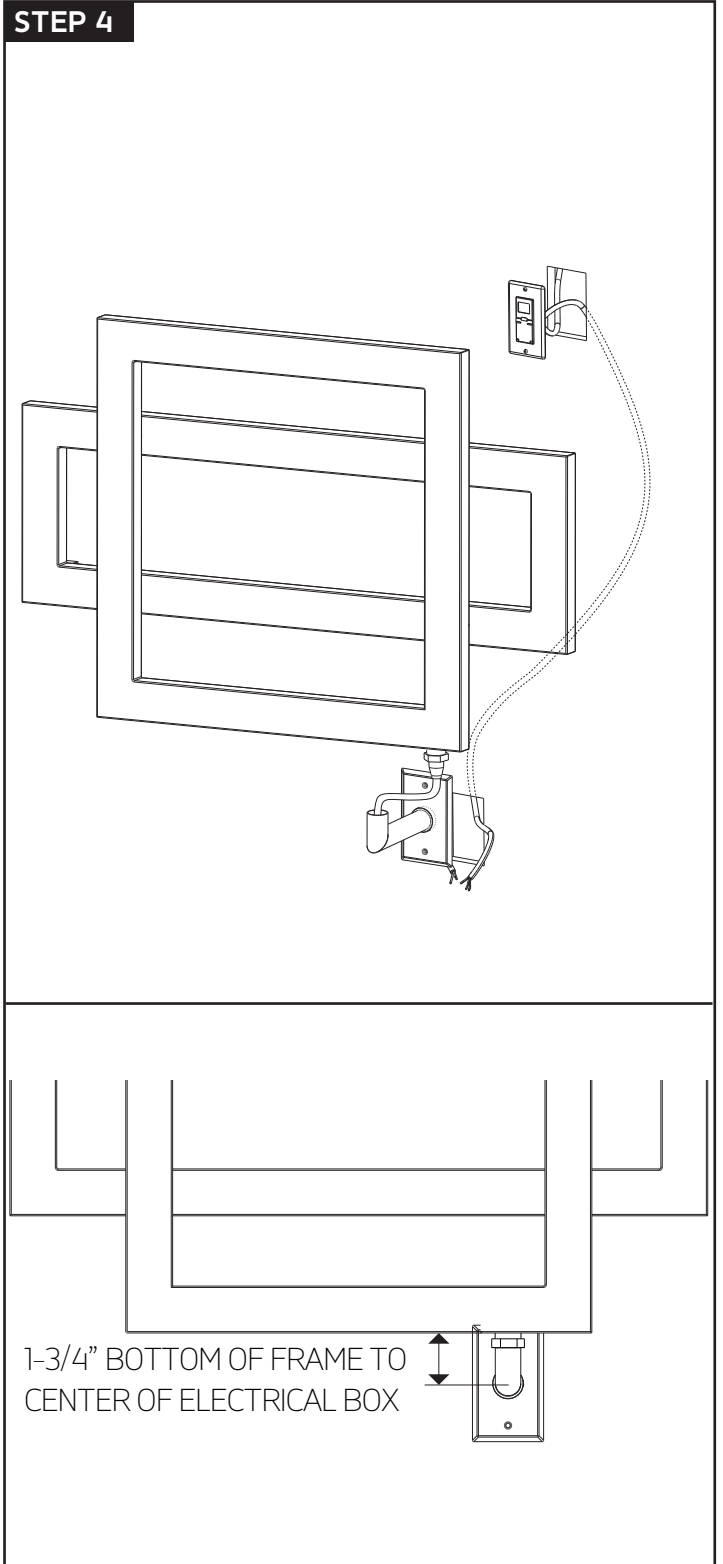


# INSTALLATION STEPS

**STEP 3** TIGHTEN 4 SET SCREWS,  
1 PER BRACKET



**STEP 4**



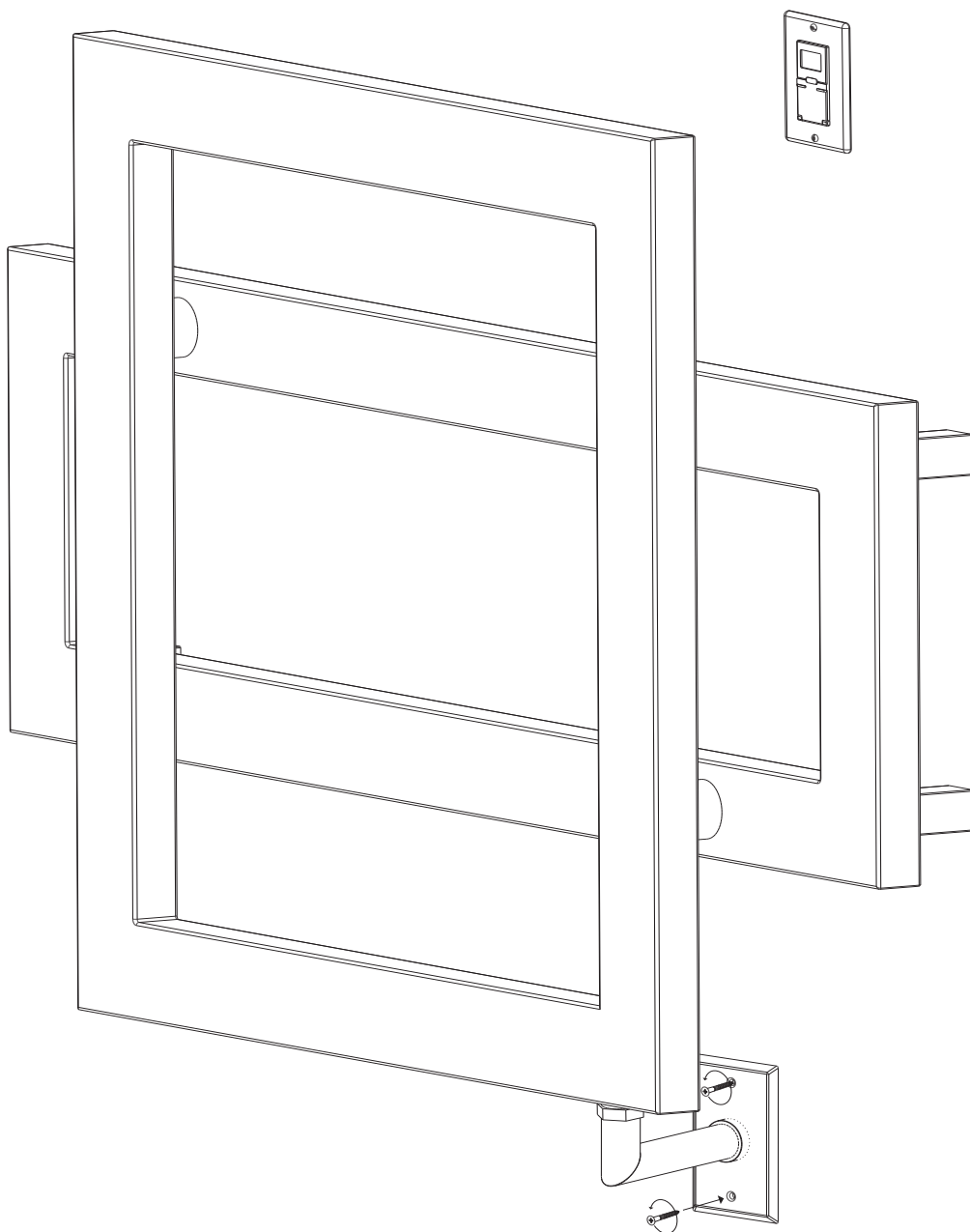
# artos<sup>®</sup>

## C06090W

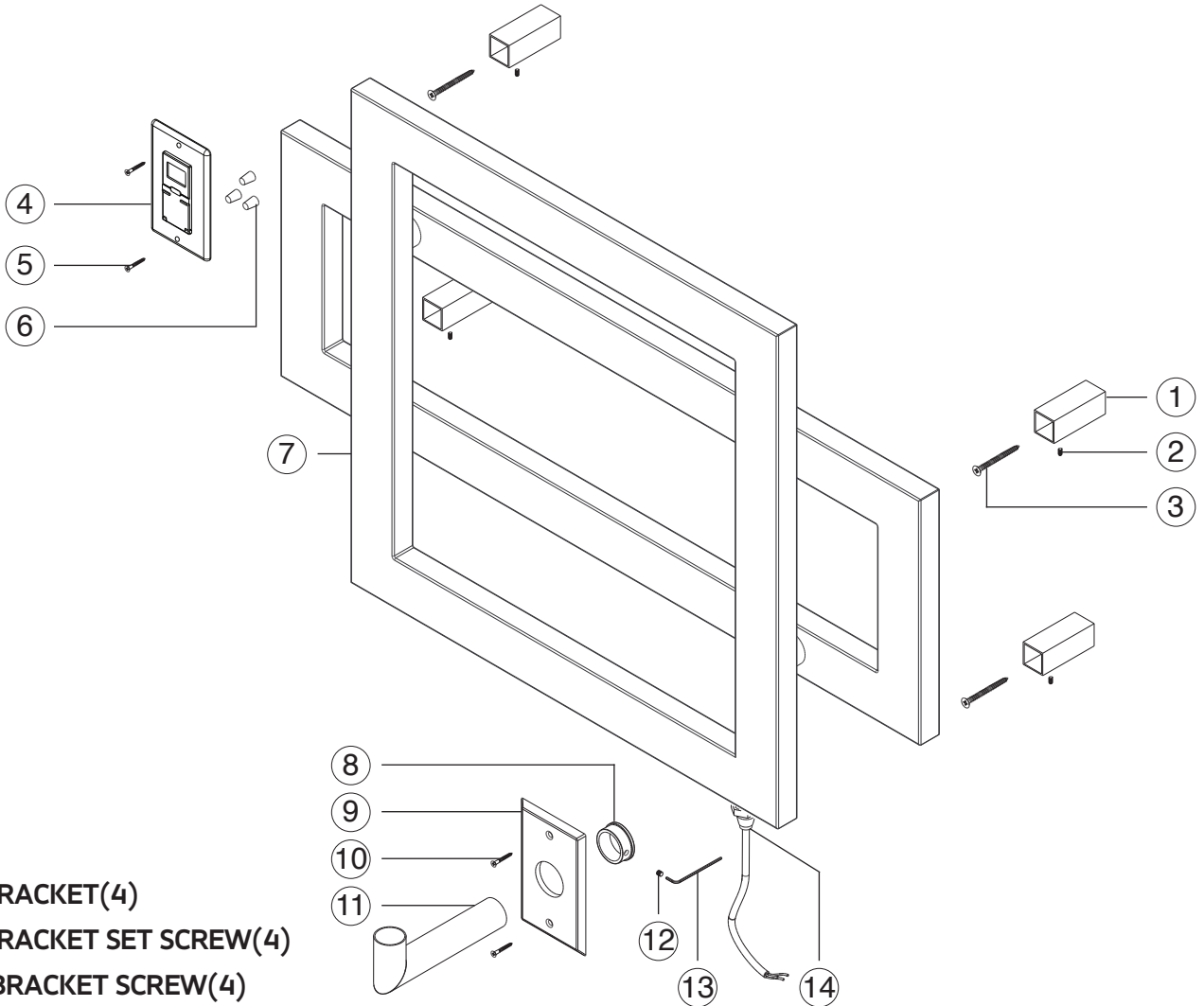
cadiz towel warmer,  
hardwired

### INSTALLATION STEPS

#### STEP 5



cadiz towel warmer,  
hardwired



- ① WALL BRACKET(4)
- ② WALL BRACKET SET SCREW(4)
- ③ WALL BRACKET SCREW(4)
- ④ TIMER
- ⑤ TIMER SCREWS(2)
- ⑥ WIRE NUTS(3)
- ⑦ TOWEL WARMER
- ⑧ ELBOW SECURING SLEEVE
- ⑨ BACKPLATE
- ⑩ BACKPLATE SCREWS(2)
- ⑪ ELBOW
- ⑫ ELBOW SET SCREW
- ⑬ ALLEN WRENCH
- ⑭ ELEMENT