

SAMUEL HEATH

Product Data Sheet

N6767, N7767, N9767 Towel Rail



N6767



N7767K



N7767F



N9767

SAMUEL HEATH

Product Data Sheet

N6767, N7767, N9767 Towel Rail



N6767



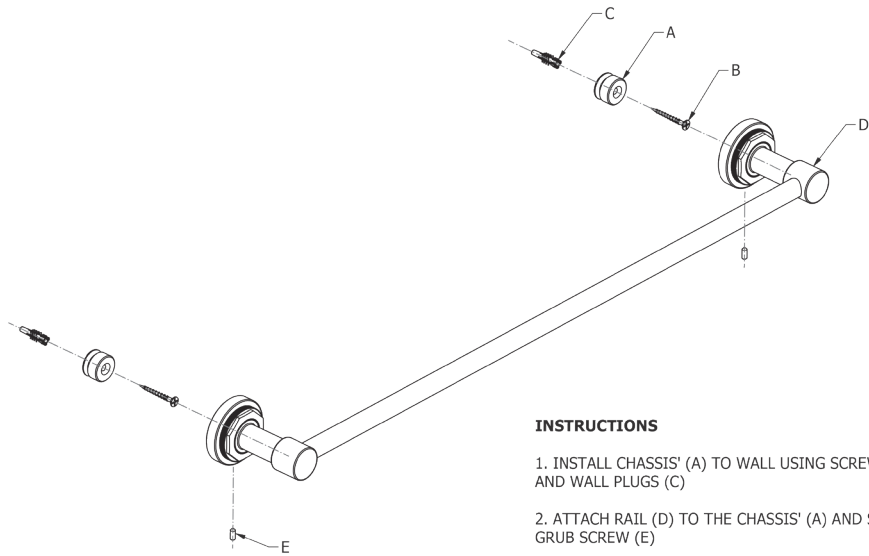
N7767K



N7767F



N9767



INSTRUCTIONS

1. INSTALL CHASSIS' (A) TO WALL USING SCREWS (B) AND WALL PLUGS (C)
2. ATTACH RAIL (D) TO THE CHASSIS' (A) AND SECURE USING GRUB SCREW (E)

SAFETY NOTE

Prior to drilling into walls:
Check there are no hidden electrical wires, cables or water supply pipes with the aid of an electronic detector.

Note: Wall plugs supplied are only suitable for solid stone / brick walls. For plasterboard walls use specialist wall plugs. *Seek advice from a specialist about the suitability of fixings to be used.*

SAMUEL HEATH
Head Office and Customer Service

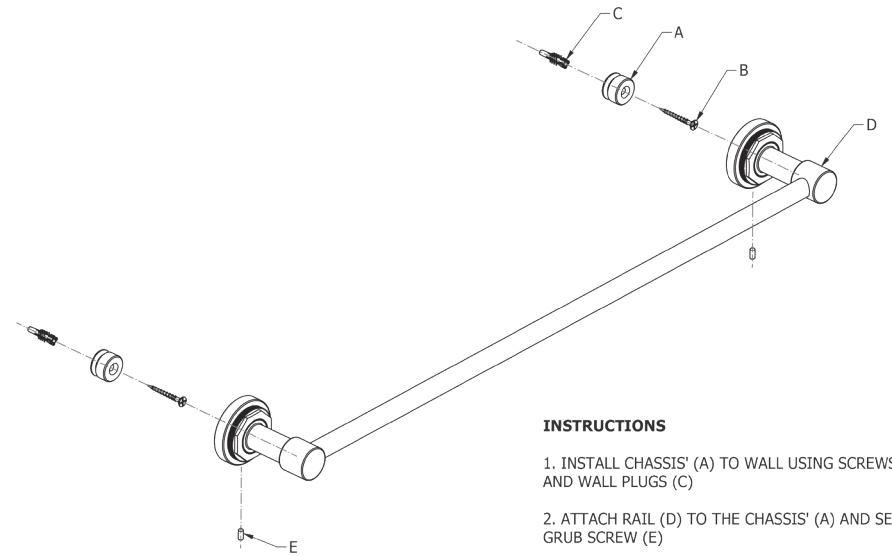
Leopold Street
Birmingham
England
B12 0UJ

T: +44 (0)121 766 4200
F: +44 (0)121 772 3334

Info@samuel-heath.com
www.samuel-heath.com

US Customer Service
Federal I.D. No. 58-1504682
www.samuel-heath.com/us

9-3117



INSTRUCTIONS

1. INSTALL CHASSIS' (A) TO WALL USING SCREWS (B) AND WALL PLUGS (C)
2. ATTACH RAIL (D) TO THE CHASSIS' (A) AND SECURE USING GRUB SCREW (E)

SAFETY NOTE

Prior to drilling into walls:
Check there are no hidden electrical wires, cables or water supply pipes with the aid of an electronic detector.

Note: Wall plugs supplied are only suitable for solid stone / brick walls. For plasterboard walls use specialist wall plugs. *Seek advice from a specialist about the suitability of fixings to be used.*

SAMUEL HEATH
Head Office and Customer Service

Leopold Street
Birmingham
England
B12 0UJ

T: +44 (0)121 766 4200
F: +44 (0)121 772 3334

Info@samuel-heath.com
www.samuel-heath.com

US Customer Service
Federal I.D. No. 58-1504682
www.samuel-heath.com/us

9-3117