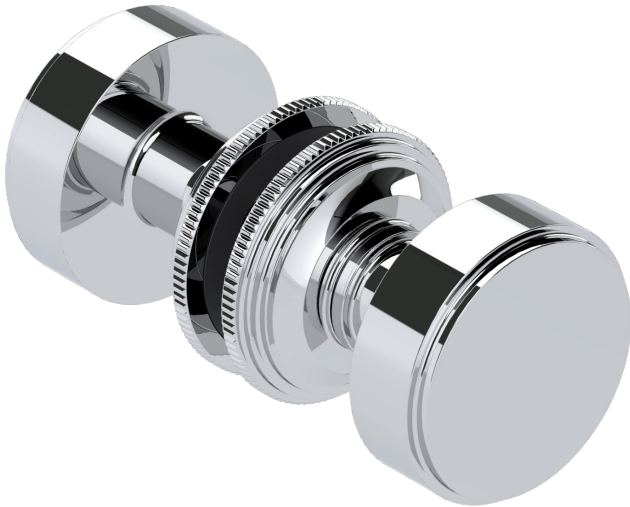


# Product Data Sheet

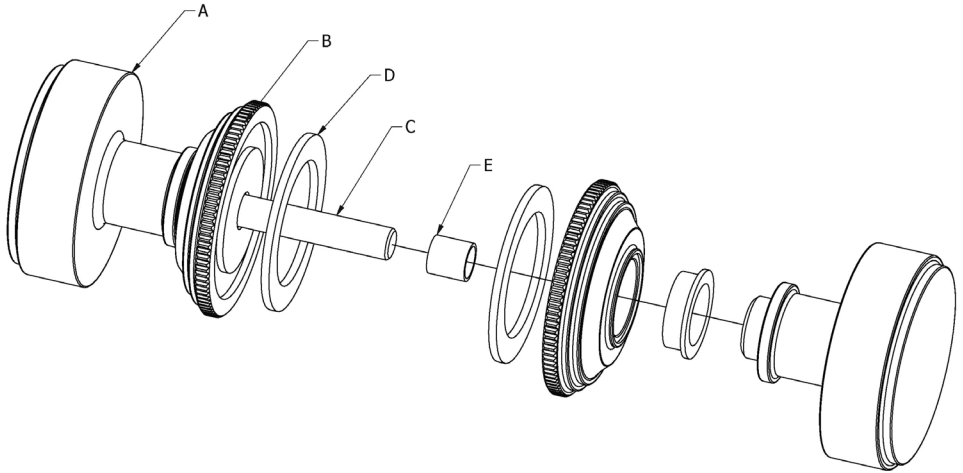
## N6763 Back to Back Shower Door Knobs

---



# Installation

## N6763



1. Assemble knob (A), rose (B), allthread (C) through the pre-drilled hole in the glass. Ensure that rubber washer (D) and protective sleeve (E) are used to protect the glass.

2. Assemble the second set of components to the other side of the glass.

**Note:** It is recommended that a suitable thread lock is applied to the allthread during fitting