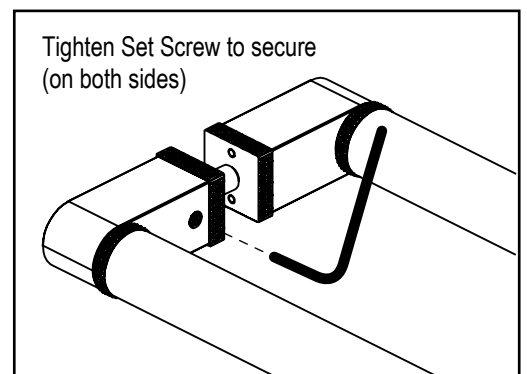


* **Plastic Sleeve** can be cut to suit according to the thickness of the glass.



Features:

- Brass Construction with choice of 25 finishes
- Glass Thickness Range: 1/4" (6 mm) to 1/2" (12 mm)
- Hole Diameter Required: 1/4" (6 mm)

