



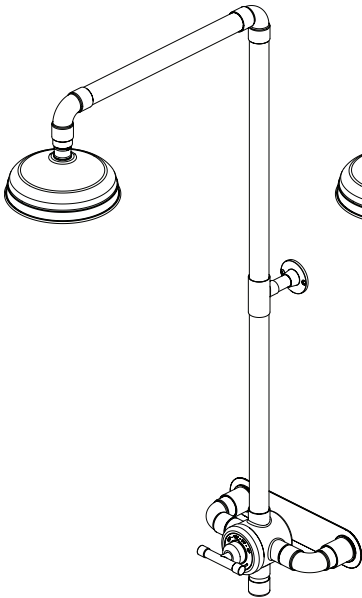
August 2022

WaterBridge Exposed Showers are available in four standard wall-mounted configurations:

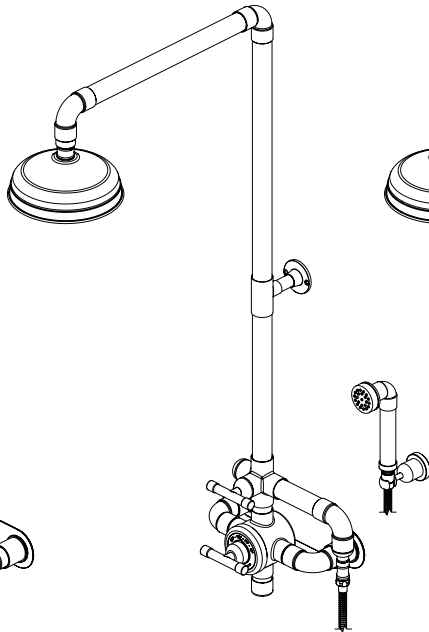
WB SHW 640	Rain head only
WB SHW 650	Rain head and hand shower
WB SHW 670	Rain head and tub filler / foot wash
WB SHW 680	Rain head, hand shower, and tub filler / foot wash

Custom showers are available by special order. Please contact Sonoma Forge for more info.

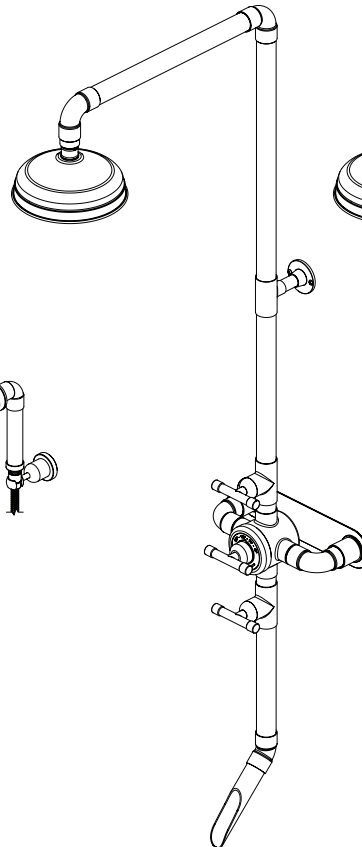
Model 640



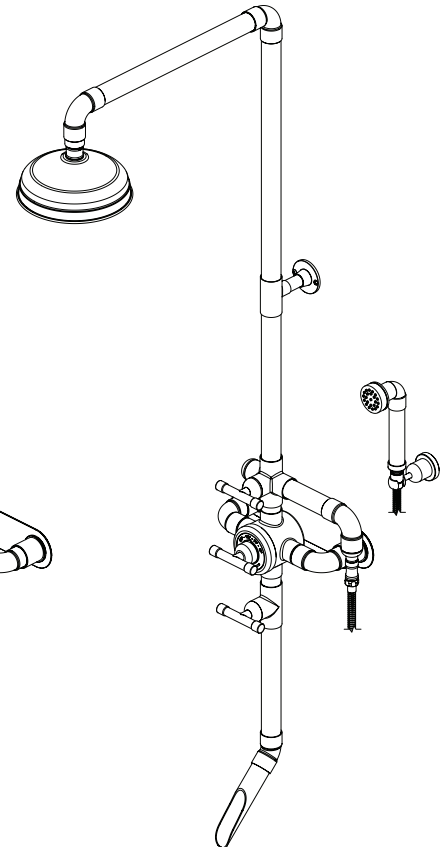
Model 650



Model 670



Model 680



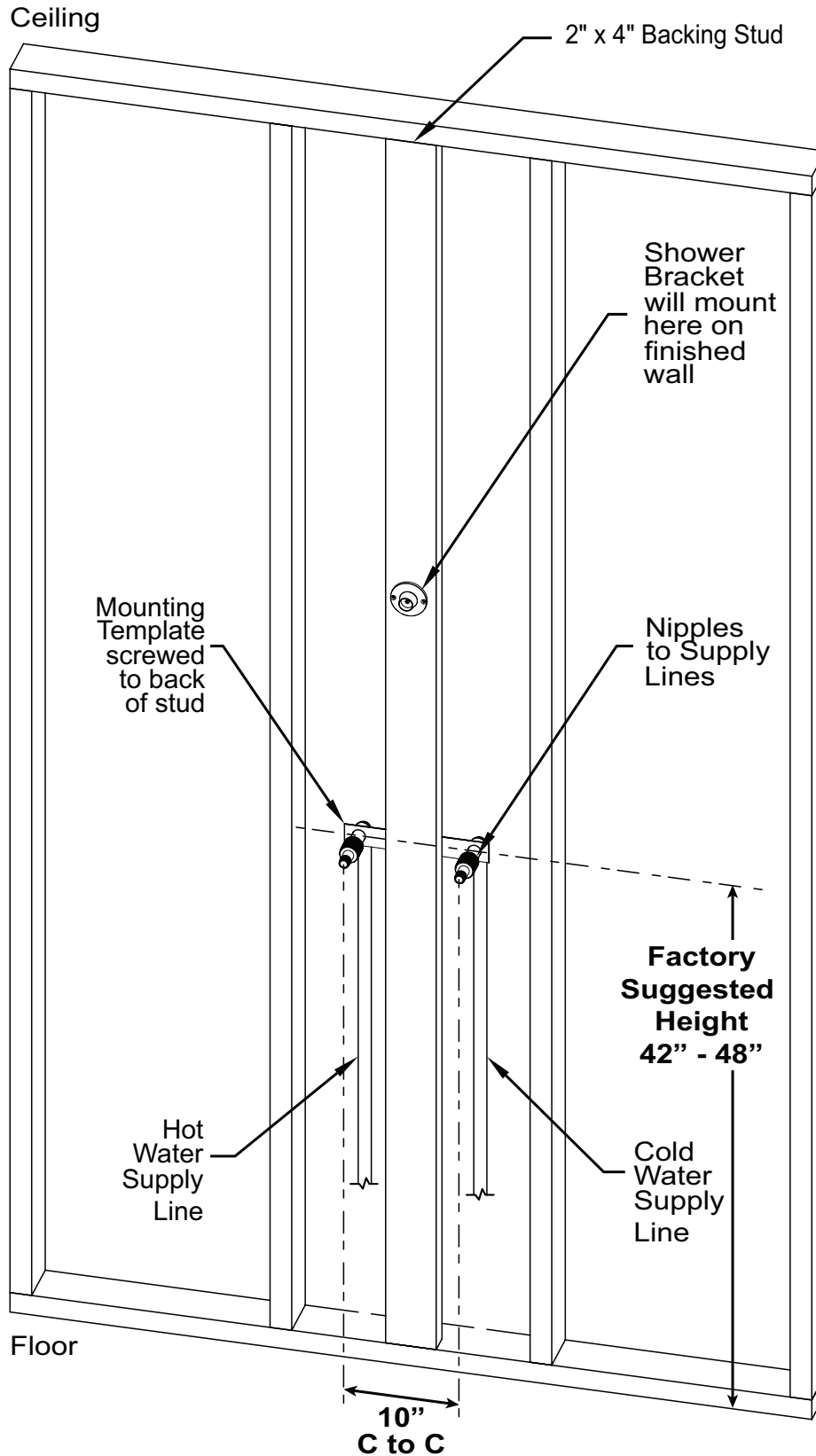
**It is strongly recommended that this, and all fixtures,
be installed by a licensed professional plumber.**



INSTALLATION GUIDE

WaterBridge Wall-Mounted Exposed Thermostatic Showers

August 2022



Rough-in Installation

- 1) Determine a comfortable height for the rain head and shower controls.
- 2) Install **Mounting Template** onto **Backing Stud** using provide screws.
(See Fig. A)

Note: It is critical to install **Mounting Template** level. Additional blocking should be installed into the wall for support for the supply lines and **Mounting Template**.

- 3) Using Joint Compound or Teflon Tape, connect the **Mounting Nipples** to **Supply Lines** leaving enough excess line to run into wall and cut to size.
(See Fig. B)

Note: Mounting Nipples can be connected to either 1/2" or 3/4" lines however it is suggested to use 3/4" lines for additional stability of the system.

- 4) Run 1/2" or 3/4" Supply Lines previously connected onto **Mounting Nipples** through **Mounting Template** and complete the installation of your supply lines.
(See Fig. C & D)

Note: For 1/2" Line Installation **Spacer Rings** have been provided that can be installed after soldering.

IMPORTANT: Nipples must be installed so that the finished wall lies in-between the 1/2" area of the flats on the threads of the **Mounting Nipples**. This includes the thickness of the optional back plate. Finished wall holes for **Mounting Nipples** 1-3/8" Ø 1-1/2" Ø Maximum.
(See Fig. D)

- 5) Add any additional blocking and/or straps to make sure supply lines are rigid and stable. These lines will support much of the systems weight.
- 6) Use supplied threaded **Nipple Caps** and **Washers** to cap off supply lines and turn on water supply to both lines to check for leaks.
(See Fig. D)

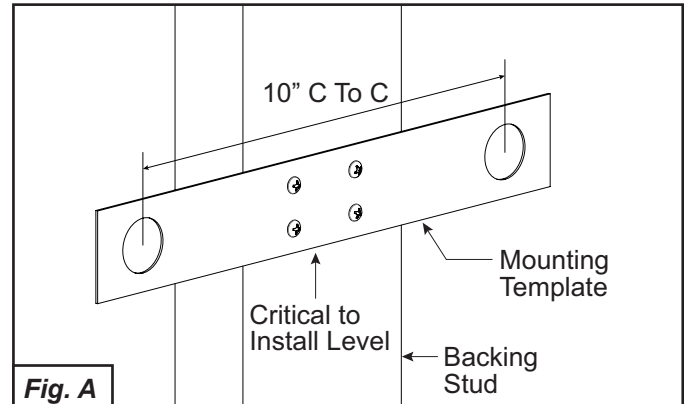


Fig. A

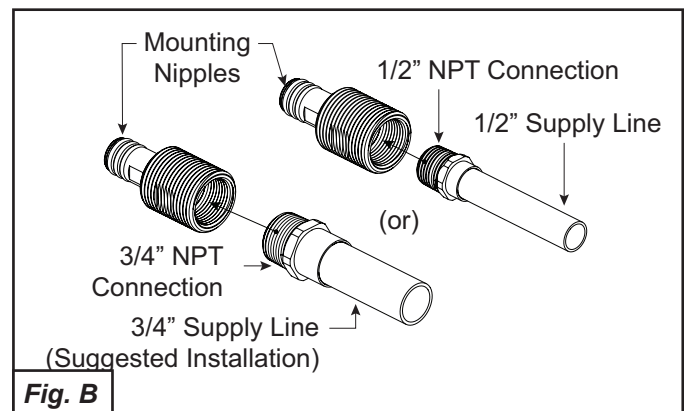


Fig. B

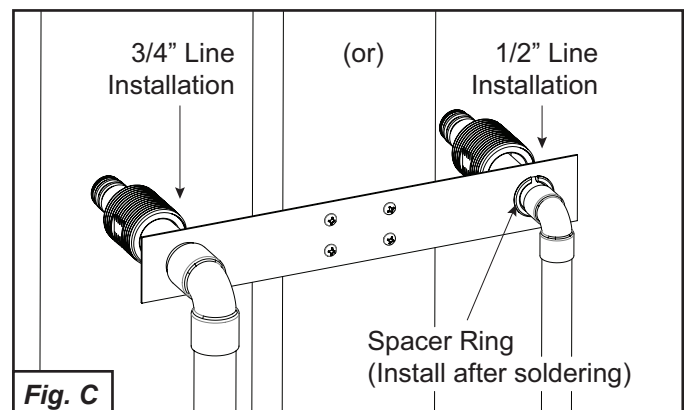


Fig. C

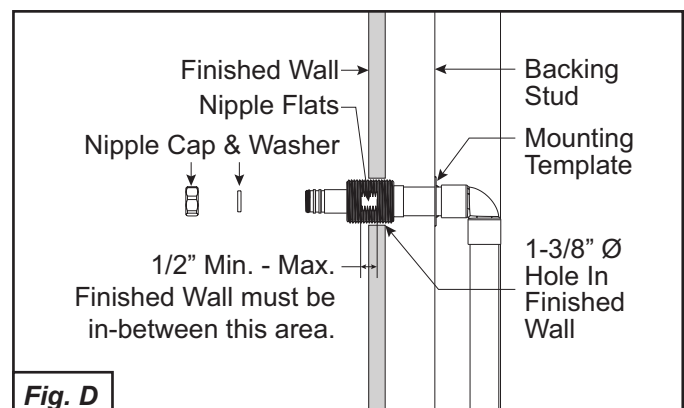


Fig. D

Shower Body Installation

1) For Models 670 and 680, it is necessary to install the **Foot Wash**; Install the **Foot Wash** by applying the provided glue and threading the male pipe into the bottom of the **Cross Body**. Prior to installation of the shower on the wall.

(See Fig. E)

Note: Make sure glue dries so the **Foot Wash** is oriented in the correct position. The threads should be pre-clocked from the factory so this orientation is correct when fully threaded into the body. The Pipe is sealed with 2 internal o-rings. Be careful not to damage when installing the foot wash. Lubricate the inside of the pipe to help.

2) This shower is provided with adjustable wall brackets for uneven walls. These consist of an **Inner All-thread** and a loose **Outer Tube**. These Brackets can be adjusted to different heights by sliding the bracket up or down the pipe and locked into place using the **Pipe Stop** and **Locking Bushing**.

Use 7mm Hex Wrench to tighten **Locking Bushing**.

THE FOOT WASH AND BRACKETS MUST BE INSTALLED AND ADJUSTED BEFORE INSTALLING THE SHOWER ONTO THE WALL

(See Fig. F)

3) With water supply turned off, remove the **Caps and Washers** and install provided O-rings (3 per nipple) onto the **Mounting Nipples**. Place the **Shower Body** onto the **Mounting Nipples** at the same time while threading the **Swivel Escutcheons** onto the **Mounting Nipples** by hand. Be careful not to damage the o-rings. Use a **Strap Wrench** to tighten the **Swivel Escutcheons** to secure against the wall or **Optional Back Plate**.

(See Fig. G)

4) Screw in the provided **Mounting Screws** through the **Mounting Bracket** so Body is aligned vertically.

(See Fig. G)

5) Use **Thread Compound** or **Tape** threads for the **Shower Arm** and fully thread **Shower Arm** Into the **Elbow**.

(See Fig. G)

Note: Make sure the **Shower Arm** is oriented in the correct position. The threads should be pre-clocked from the factory so this orientation is correct when fully threaded into the **Elbow**.

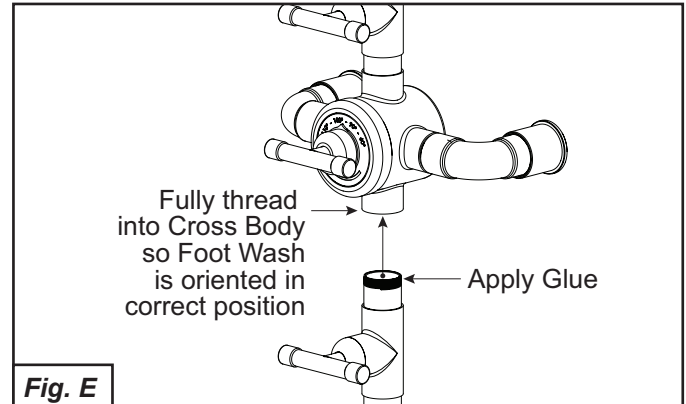


Fig. E

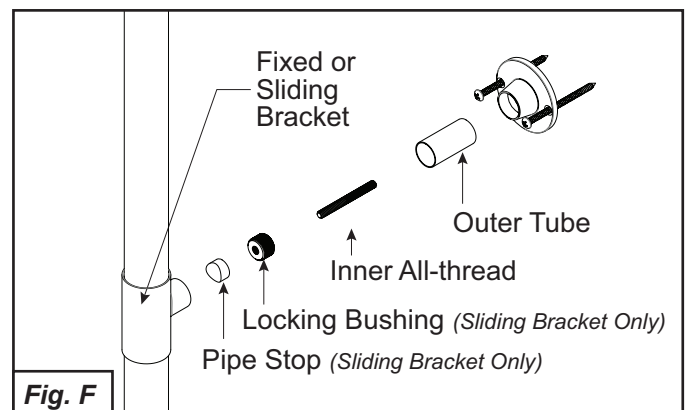


Fig. F

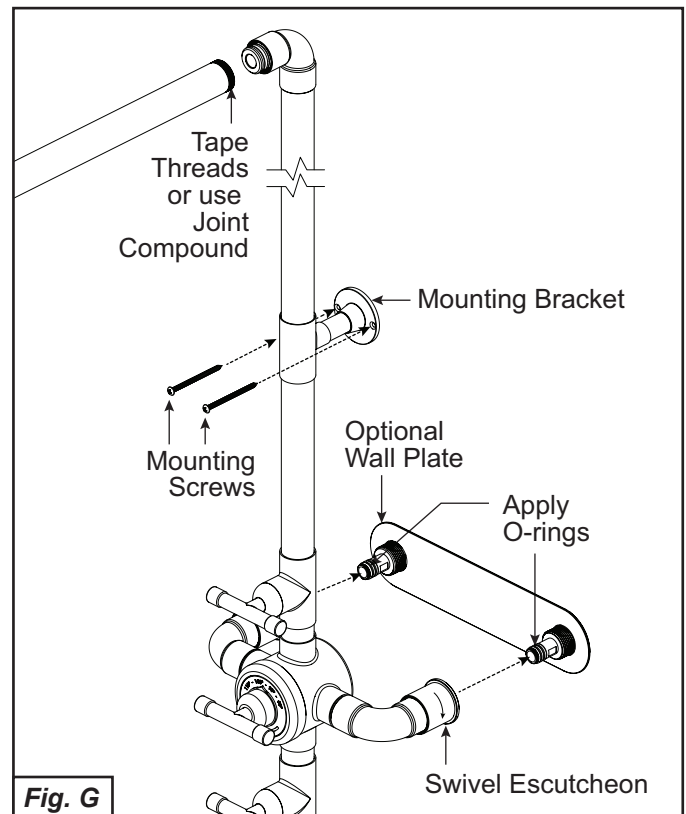


Fig. G

- 6) Install the Rain Head:
- Unscrew the **Collar** from the top of the **Rain Head**.
 - Thread the **Ball Joint** into the **Shower Arm** using a 8mm Hex Wrench.
 - Tighten the **Collar** back onto the top of the **Head**.

Note: The **Shower Head** is shipped with a **Flow Restrictor** installed into the **Ball Joint**. This can be removed for replacement.
(See Fig. H)

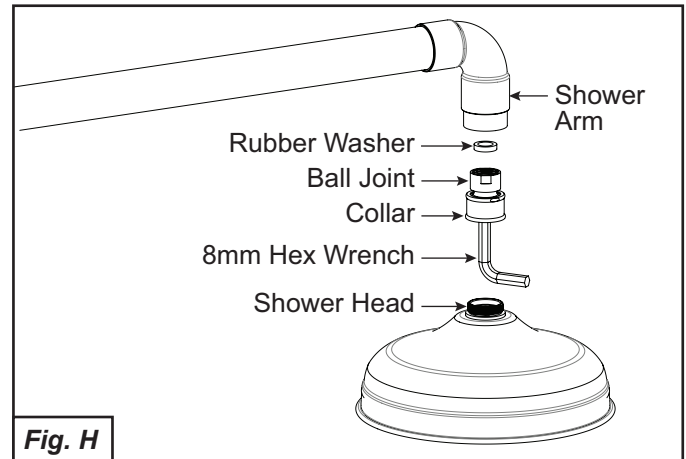


Fig. H

Hand Shower Bracket Installation

- For Shower Models (650 & 680) with **Hand Shower**;
 - For Drywall installation, drill holes for the **Dry Wall Anchors** and install. For Stud Installation, Drive in the screws through the round holes in the **Mounting Bracket**. Make sure the **Mounting Bracket** is level and 1" center to center.
 - Using **Mounting Screws**, screw **Mounting Bracket** to the wall and into the **Anchors**.
 - Thread the **Swivel Escutcheon** onto the **Mounting Bracket** until tight. It is factory suggested to use a Belt Wrench to tighten completely.
(See Fig. I)

Note: For added stability, it is factory recommended to install **Wall Bracket** into a stud.

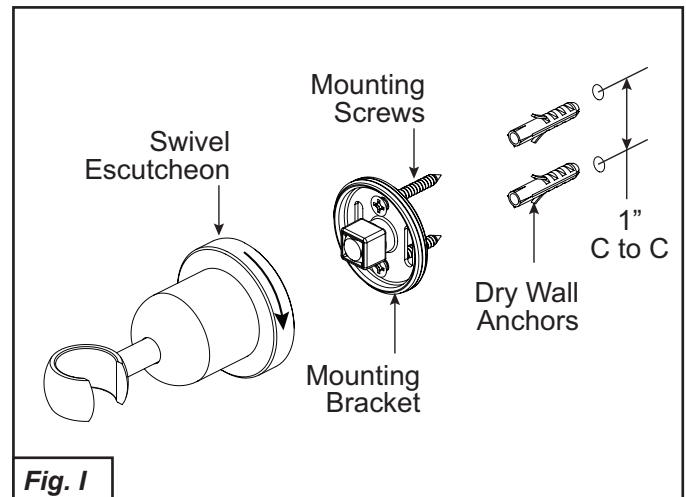


Fig. I

Final Check

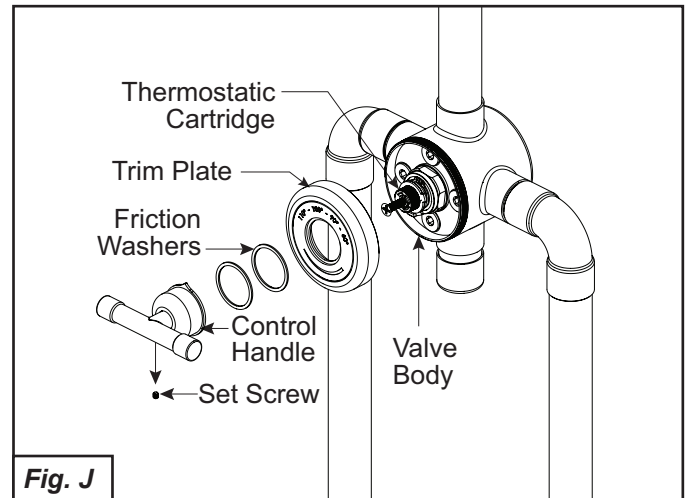
- Turn on Water Supply at source and check for leaks.
- Check Volume Controls, Shut-offs and/or Diverter for proper function.

Cartridge Calibration

Due to differences in Pressures and Temperatures in your system the Thermostatic Cartridge will need to be Calibrated in accordance with your Local Plumbing Codes and Standards.

1) Removing Trim

- a) Remove the **Control Handle** by un-threading the **Set Screw**. Remove the 2 **Friction Washers**.
- b) Remove the **Trim Plate** by un-threading it from the **Valve Body**.
(See Fig. J)



2) Setting Temperature Limit Stops:

There are two Limit Stops included with the cartridge. The **Shut-off Limit Stop** does not need to be removed and should remain in the position supplied from the factory. The cartridge should not supply any water when in this position.

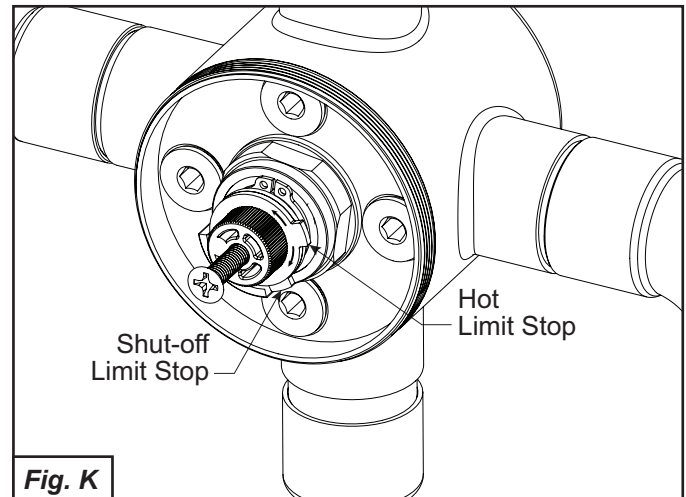
The **Hot Limit Stop** will need to be adjusted so the maximum temperature of the mixed water is in accordance with your local plumbing codes and standards.

- a) Using a thermometer to measure the mixed water temperature, adjust the **Hot Limit Stop** to desired maximum hot water temperature.

Increase water temperature: Rotate **Hot Limit Stop** clockwise on the stem.

Decrease water temperature: Rotate **Hot Limit Stop** counter-clockwise on the stem.

(See Fig. K)



WARNING: Temperatures exceeding 110 degrees are dangerous and may cause scalding, server injury or death. This valve is NOT factory preset. Installer must make the proper adjustments.

Care & Maintenance

No abrasives should be used to clean Sonoma Forge products. Mild soap and water can be used, and 100% carnauba wax can be applied to protect the finish. All exterior plumbing should be winterized if freezing temperatures are expected..

1) Replacing Check Valves:

Do not remove Check Valves unless you have replacements. Any Check Valves Removed from the Valve Body must be replaced.

The water supply to the Shower must be turned off before replacing Check Valves or Cartridge.

- a) Using a 1/4" Hex Wrench, Remove the **Valve Plugs**.
- b) Remove **Check Valve Stops** and **Screen Filters**.
Note: Do not Remove the Valve Plugs Above and Below the Cartridge. These are permanent Plugs.
- c) Using a hook or pick remove **Check Valves** and discard.
- d) Replace Check Valves orienting them so water flows in the direction as shown in **Fig. L**
- e) Reassemble **Plugs** and **Trim** in reverse order.
- f) Turn on water supply and check for leaks and ensure valve is functioning correctly.

Note: The Shower Systems can be drained, above the **Valve Body**, using the **Removable Cap** for models 640 & 650 or opening the Shut-offs on the Foot Wash for models 670 & 680.

Note: Water Supply to the Shower must be turned off before draining.

(See Fig. L)

2) Replacing Cartridge:

- a) Un-thread the **Cartridge** counter clockwise from the Body Using the flats on the Cartridge.
- b) Replace the **Cartridge and Trim**
- c) Turn on water supply and check for leaks and ensure valve is functioning correctly.

(See Fig. M)

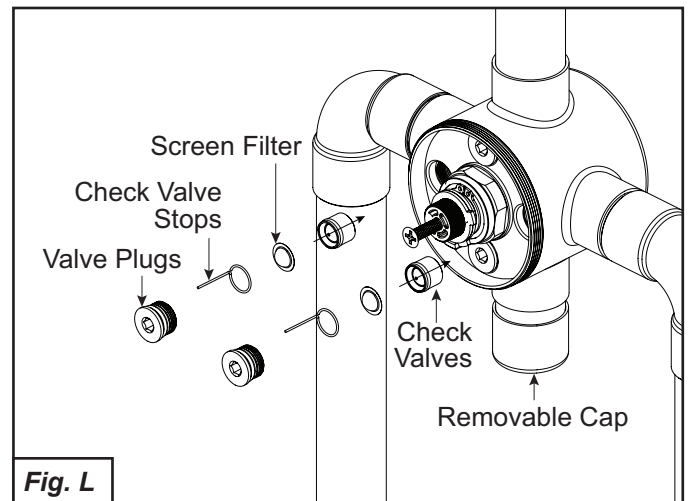


Fig. L

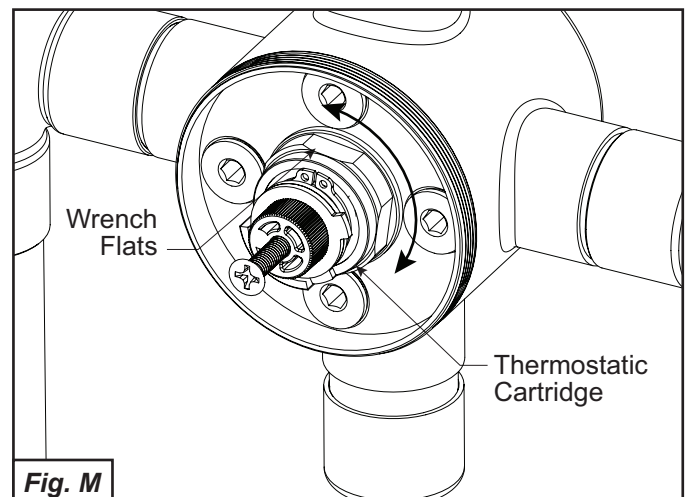


Fig. M