

Roman Tub Installation Instructions

CALIFORNIA FAUCETS RECOMMENDS THAT ALL PLUMBING PRODUCTS BE INSTALLED BY A LICENSED PROFESSIONAL

IMPORTANT: Read all instructions prior to installation and provide copy of instructions to consumer.

Operating Specifications:

Recommended Supply Pressure: 20 to 70 psi*†

* Operating pressures between hot and cold supplies should vary no more than 30 psi.

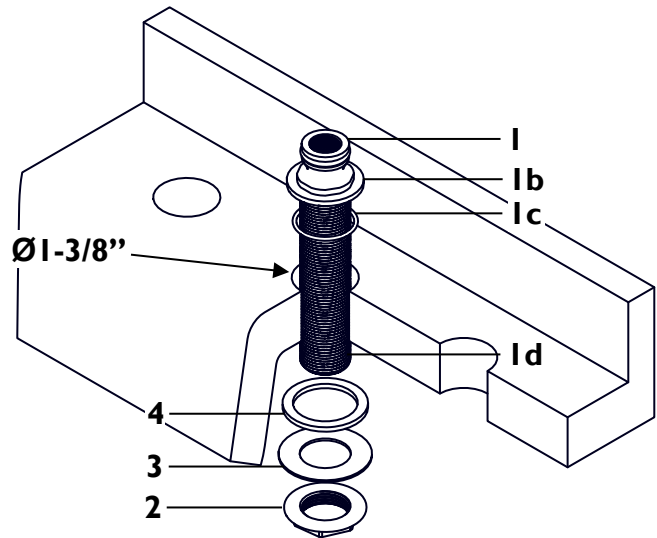
† If water pressure exceeds 70 psi, install a Pressure-Reducing Valve (PRV).

1 INSTALLING QUICK CONNECT

- Remove BRASS NUT (2), PLASTIC WASHER (3), and RUBBER WASHER (4) from QUICK CONNECT (1)
- Ensure that O-RING (1c) is properly seated in BRASS WASHER (1b)
- Insert QUICK CONNECT (1) through hole in deck

NOTE: Tub / Deck recommended hole size is $\varnothing 1-3/8''$

- Place RUBBER WASHER (4), PLASTIC WASHER (3), and BRASS NUT (2) onto quick connect SHANK (1d) from below and secure to tub/deck



2 INSTALLING VALVES

- From underneath, insert VALVE (5) through appropriate tub/deck hole

IMPORTANT: VALVES (5) are labeled as follows:

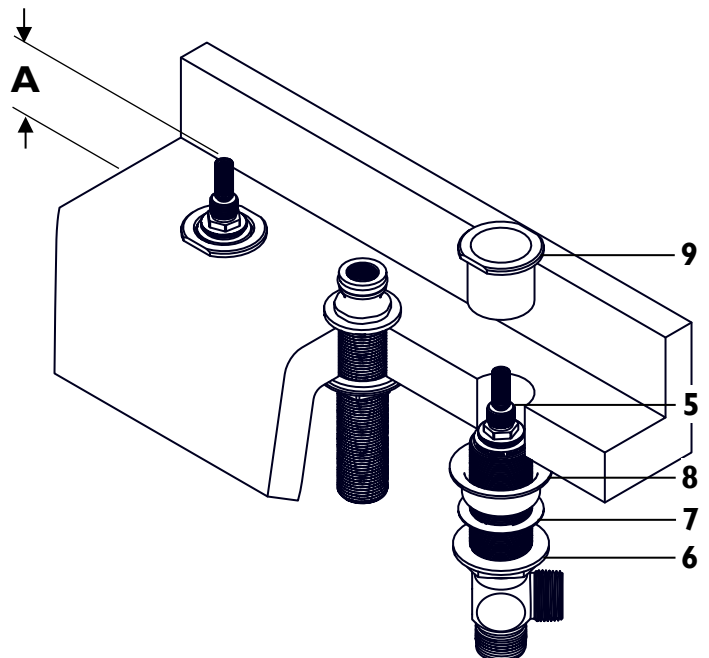
BLUE is **COLD** left turning (counterclockwise) closed

RED is **HOT** right-turning (clockwise) closed

- Position flange NUT (6), WASHER (7), and CUP SPACER (8) (if necessary) so that VALVE (5) extends above tub/deck surface according to table

Series	A
30/31	1-3/4"
62	1-1/8"
80/81	1-1/2"
80W/81W	1-5/8"

- Secure VALVE (5) with INVERTED NUT (9)



3 INSTALLING SUPPLY LINES

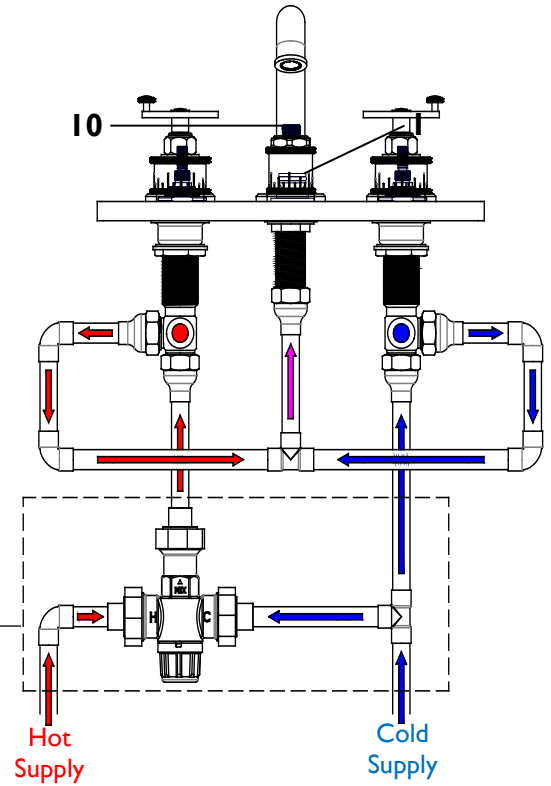
- Make all connections between spout and valves with rigid copper piping (not flex)
- Check for leaks by installing PLUG (10) (not supplied) into QUICK CONNECT (1) outlet
- California Faucets recommends that all installation types have access panel(s) to allow for maintenance and/or service

Disclaimer: To conform to local codes and/or ordinances, it may be required that California Faucets Roman Tub sets be installed in conjunction with an ASSE 1070 approved tempering valve or equivalent (not included) to reduce hot water supply to a safe temperature.

Important: the INSTALLER is responsible to check local codes and/or ordinances, to confirm and verify proper maximum hot water temperature settings for all products installed

Warning: Water temperatures in excess of 110° F (43°C) are dangerous and may cause severe scalding and injury

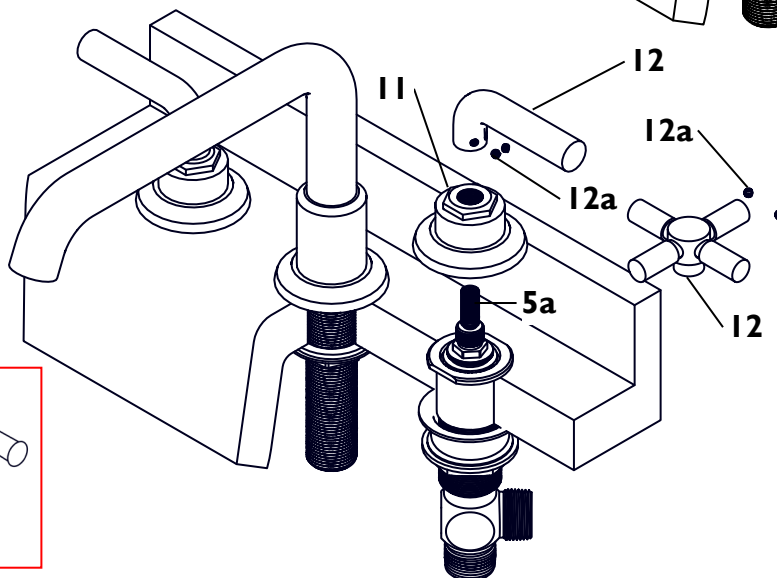
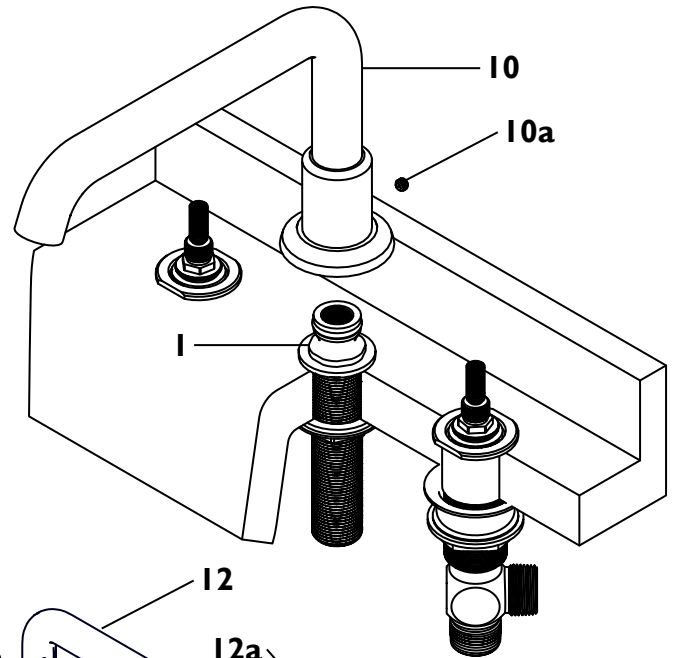
Typical installation of ASSE 1070 tempering valve (follow tempering valve instructions)



4 INSTALLING TRIM

- Seat SPOUT (11) onto QUICK CONNECT (1)
- Rotate SPOUT (11) to desired position and tighten SETSCREW (11a)
- Place ESCUTCHEON (12) onto VALVE (5) and secure to tub/deck surface
- Loosen SETSCREW (13a) from HANDLE (13)
- Slide HANDLE (13) down onto and engage valve STEM (5a)
- Allow a minimum gap (1/32") between HANDLE (13) and ESCUTCHEON (12), tighten SETSCREW (13a)

IMPORTANT: To obtain proper alignment it may be necessary to rotate VALVE (5) so that HANDLE (13) is aligned to desired orientation



NOTE: INSTALL WASHER UNDER HANDLE(S) TO ACHIEVE PROPER GAP BETWEEN HANDLE AND ESCUTCHEON

