

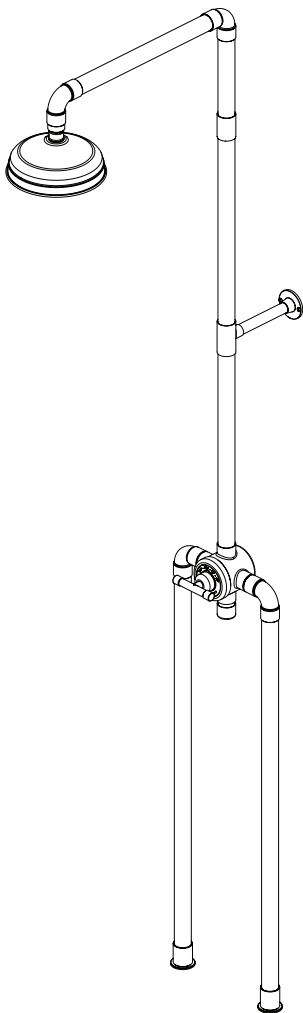


August 2022

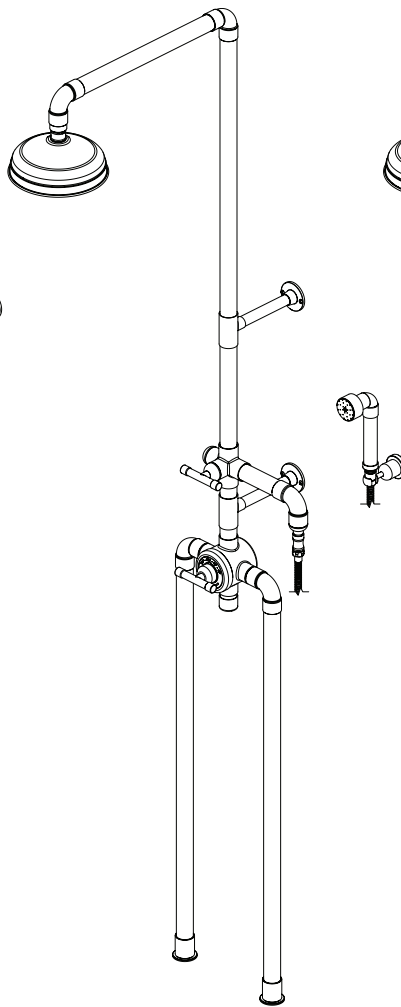
WaterBridge Exposed Showers are available in four standard floor-mounted configurations:

- |             |                                       |
|-------------|---------------------------------------|
| WB SHW 1240 | Rain head only                        |
| WB SHW 1250 | Rain head and hand shower             |
| WB SHW 1270 | Rain head and foot wash               |
| WB SHW 1280 | Rain head, hand shower, and foot wash |

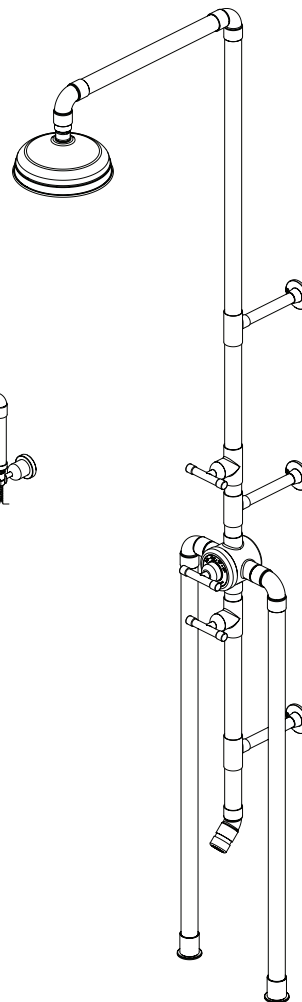
Model 1240



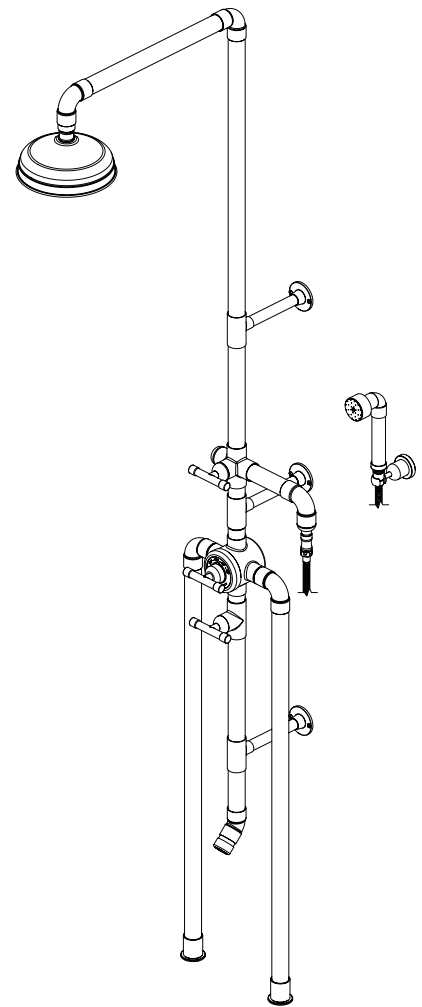
Model 1250



Model 1270



Model 1280



**It is strongly recommended that this, and all fixtures,  
be installed by a licensed professional plumber.**

These Waterbridge Exposed Showers are plumbed to 3/4" straight nipples, which are included with the system. The Shower employs compression fittings to attach to nipples that have been stubbed out. The hot and cold lines should be plumbed 10" on center, trimmed exactly 5/8" exposed from the finished floor.

**Note:** Do not use Tapered Pipe only provided Straight Thread Nipples.  
(See Fig. A)

### Trim Installation

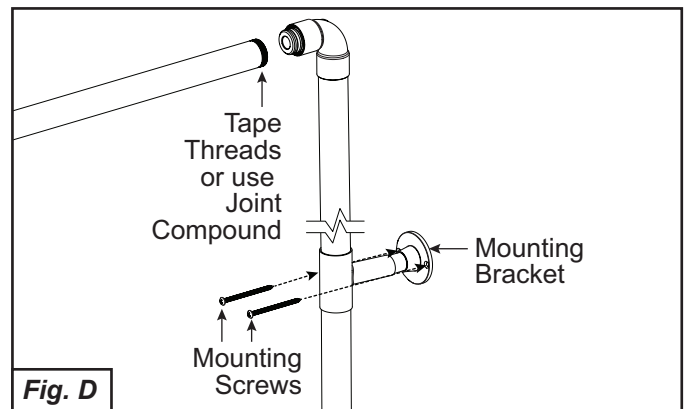
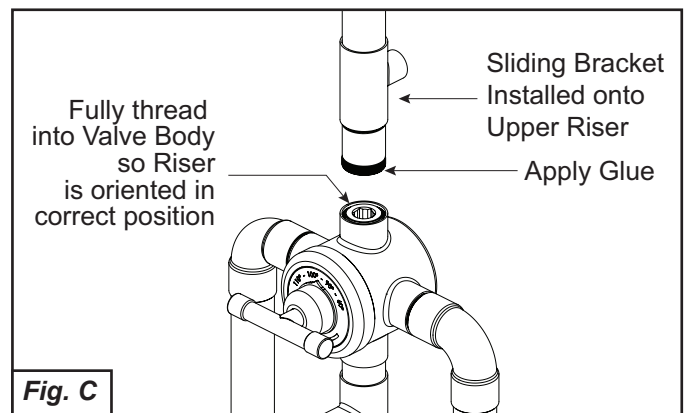
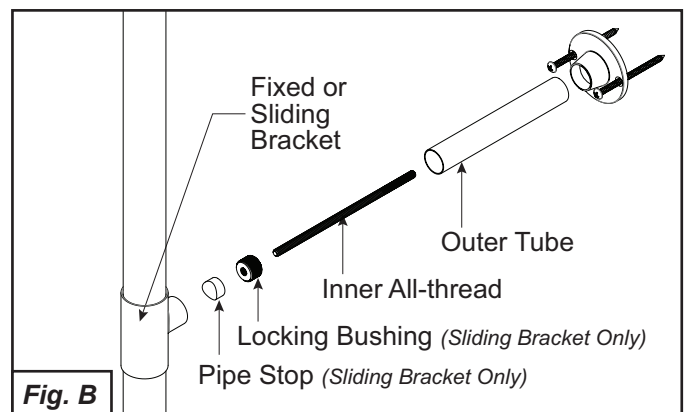
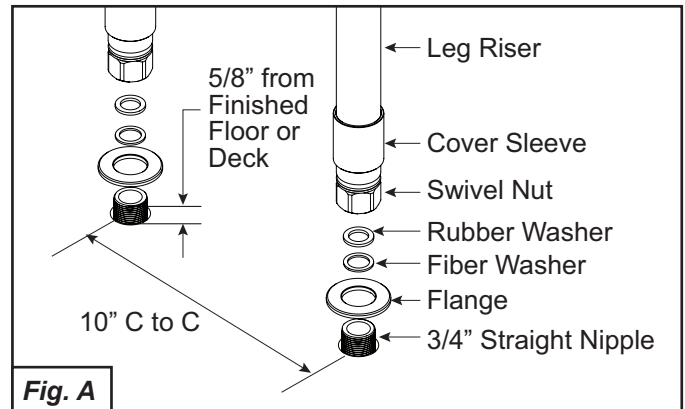
1) This shower is provided with adjustable wall brackets for uneven walls. These consist of an **Inner All-thread** and a loose **Outer Tube**. These can be adjusted to 2-1/2" – 7-1/2" from the wall to the center of the shower's vertical riser. Additionally, the **Brackets** on the **Foot Wash** and **Upper Risers** can be adjusted to different heights by sliding the bracket up or down the pipe and locked into place using the **Pipe Stop** and **Locking Bushing**. Use 7mm Hex Wrench to tighten **Locking Bushing**. **THESE SHOULD BE INSTALLED AND ADJUSTED BEFORE INSTALLATION OF THE SHOWER.**  
(See Fig. B)

2) Install **Sliding Bracket** onto **Upper Riser** and secure into place at desired height. **Be Careful not to damage finish when installing bracket.** Install the **Top Riser** by applying the provided glue and threading the male pipe into the **Cross or Tee Body**.  
(See Fig. C)

**Note:** Make sure glue dries so the Top Riser and/or **Foot Wash** are oriented in the correct position. The threads should be pre-clocked from the factory so this orientation is correct when fully threaded into the body. The Pipes are sealed with 2 internal o-rings. Be careful not to damage when installing the pipes. Lubricate the inside of the pipes to help.

3) Use **Thread Compound** or **Tape** threads for the **Shower Arm** and fully thread **Shower Arm** into the **Elbow**.  
(See Fig. D)

**Note:** Make sure the **Shower Arm** is oriented in the correct position. The threads should be pre-clocked from the factory so this orientation is correct when fully threaded into the **Elbow**.



### Trim Installation

- 4) Install the **Rain Head**:
  - a) Unscrew the **Collar** from the top of the **Rain Head**.
  - b) Thread the **Ball Joint** into the **Shower Arm** using a 8mm Hex Wrench.
  - c) Tighten the **Collar** back onto the top of the **Head**.  
(See Fig. E)

**Note:** The **Shower Head** is shipped with a **Flow Restrictor** installed into the **Ball Joint**. This can be removed for replacement.

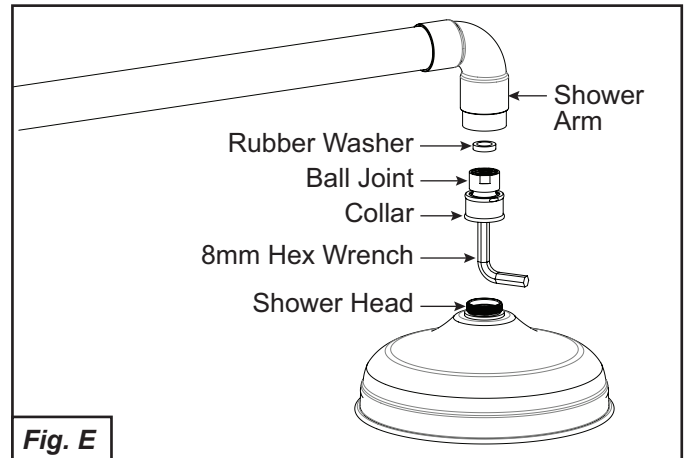


Fig. E

### Hand Shower Bracket Installation

- 1) For Shower Models (850 & 880) with **Hand Shower**;
  - a) For Drywall installation, drill holes for the **Dry Wall Anchors** and Install. For Stud Installation, Drive in the screws through the round holes in the **Mounting Bracket**. Make sure the **Mounting Bracket** is level and 1" center to center.
  - b) Using **Mounting Screws**, screw **Mounting Bracket** to the wall and into the **Anchors**.
  - c) Thread the **Swivel Escutcheon** onto the **Mounting Bracket** until tight. It is factory suggested to use a Belt Wrench to tighten completely.  
(See Fig. F)

**Note:** For added stability, it is factory recommended to install **Wall Bracket** into a stud.

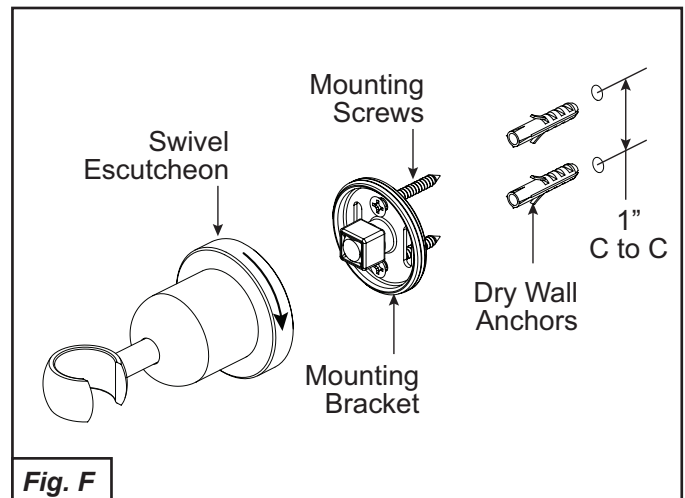


Fig. F

### Final Check

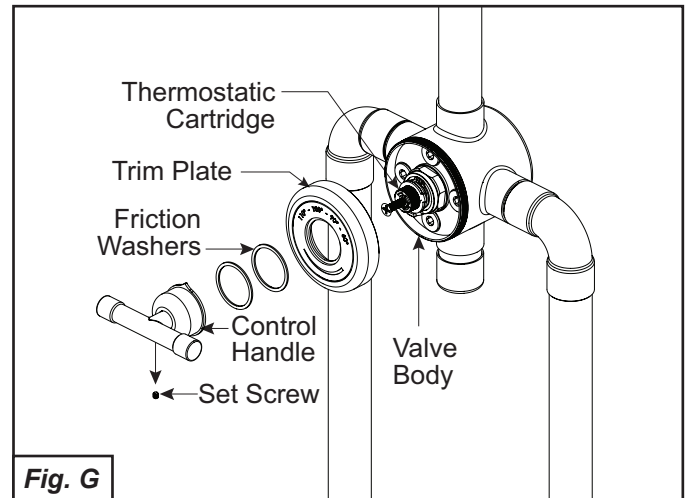
- 1) Turn on Water Supply at source and check for leaks.
- 2) Check Thermostatic Controls, Volume Controls, Shut-offs and/or Diverter for proper function.

### Cartridge Calibration

Due to differences in Pressures and Temperatures in your system the Thermostatic Cartridge will need to be Calibrated in accordance with your Local Plumbing Codes and Standards.

#### 1) Removing Trim

- a) Remove the **Control Handle** by un-threading the **Set Screw**. Remove the 2 **Friction Washers**.
- b) Remove the **Trim Plate** by un-threading it from the **Valve Body**.  
(See Fig. G)



#### 2) Setting Temperature Limit Stops:

There are two Limit Stops included with the cartridge. The **Shut-off Limit Stop** does not need to be removed and should remain in the position supplied from the factory. The cartridge should not supply any water when in this position.

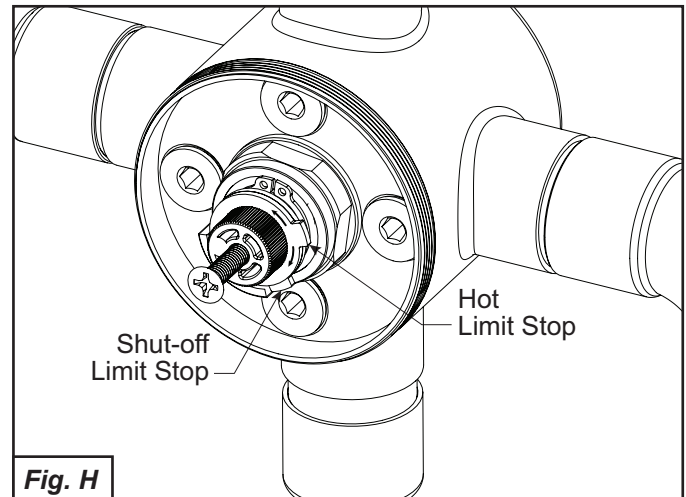
The **Hot Limit Stop** will need to be adjusted so the maximum temperature of the mixed water is in accordance with your local plumbing codes and standards.

- a) Using a thermometer to measure the mixed water temperature, adjust the **Hot Limit Stop** to desired maximum hot water temperature.

Increase water temperature: Rotate **Hot Limit Stop** clockwise on the stem.

Decrease water temperature: Rotate **Hot Limit Stop** counter-clockwise on the stem.

(See Fig. H)



**WARNING: Temperatures exceeding 110 degrees are dangerous and may cause scalding, server injury or death. This valve is NOT factory preset. Installer must make the proper adjustments.**

### Care & Maintenance

No abrasives should be used to clean Sonoma Forge products. Mild soap and water can be used, and 100% carnauba wax can be applied to protect the finish. All exterior plumbing should be winterized if freezing temperatures are expected..

#### 1) Replacing Check Valves:

Do not remove Check Valves unless you have replacements. Any Check Valves Removed from the Valve Body must be replaced.

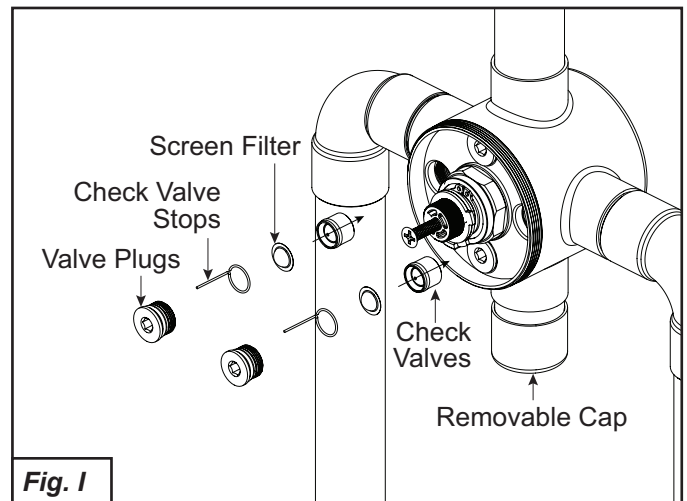
The water supply to the Shower must be turned off before replacing Check Valves or Cartridge.

- a) Using a 1/4" Hex Wrench, Remove the **Valve Plugs**.
- b) Remove **Check Valve Stops** and **Screen Filters**.  
*Note: Do not Remove the Valve Plugs Above and Below the Cartridge. These are permanent Plugs.*
- c) Using a hook or pick remove **Check Valves** and discard.
- d) Replace Check Valves orienting them so water flows in the direction as shown in **Fig. I**
- e) Reassemble **Plugs** and **Trim** in reverse order.
- f) Turn on water supply and check for leaks and ensure valve is functioning correctly.

Note: The Shower Systems can be drained, above the **Valve Body**, using the **Removable Cap** for models 1240 & 1250 or opening the Shut-offs on the Foot Wash for models 1270 & 1280.

Note: Water Supply to the Shower must be turned off before draining.

**(See Fig. I)**

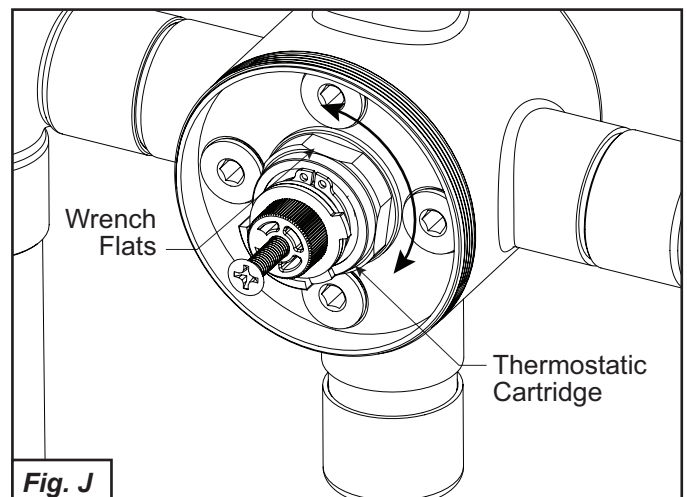


**Fig. I**

#### 2) Replacing Cartridge:

- a) Un-thread the **Cartridge** counter clockwise from the Body Using the flats on the Cartridge.
- b) Replace the **Cartridge and Trim**
- c) Turn on water supply and check for leaks and ensure valve is functioning correctly.

**(See Fig. J)**



**Fig. J**