

BRIZO®

117945



X00117945

SINGLE HANDLE BATHROOM FAUCET

LLAVE PARA BAÑO DE MANILLAR INDIVIDUAL

ROBINET DE SALLE DE BAIN À UNE POIGNÉE

Models/Modelos/Modèles

650110LF-▲ & 650111LF-▲

Series/Series/Seria

Roccesco™

Write purchased model number here.

Escriba aquí el número del modelo comprado.

Inscrivez le numéro de modèle ici.

Date of Purchase: _____

Fecha de compra

Date d'achat

Register Online

Regístrese en línea

S'enregistrer en ligne

www.brizo.com/customer-support/product-registration

To reference replacement parts and access additional technical documents and product info, visit www.brizo.com

Para referencia sobre las piezas de repuesto y acceder a documentos técnicos adicionales e información del producto, visite www.brizo.com

Pour obtenir la référence des pièces de rechange ainsi que pour avoir accès à d'autres documents techniques et renseignements sur le produit, allez à www.brizo.com



1-877-345-BRIZO (2749)

www.brizo.com/customer-support

Read all instructions prior to installation.

⚠ CAUTION

Failure to read these instructions prior to installation may result in personal injury, property damage, or product failure. Manufacturer assumes no responsibility for product failure due to improper installation.

Lea todas las instrucciones antes de hacer la instalación.

⚠ ADVERTENCIA

El no leer estas instrucciones de instalación puede resultar en lesiones personales, daños a la propiedad, o falla en el funcionamiento del producto. El fabricante no asume ninguna responsabilidad por la falla del producto debido a una instalación incorrecta.

Veuillez lire toutes les instructions avant l'installation.

⚠ AVERTISSEMENT

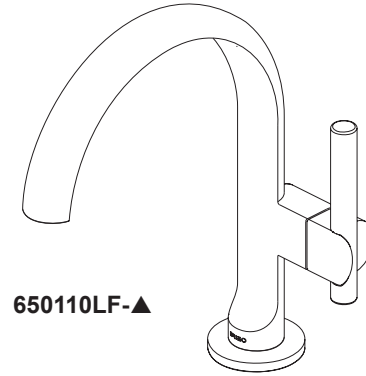
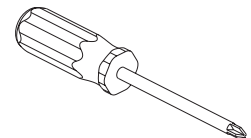
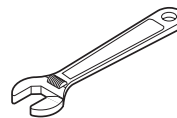
L'omission de lire les présentes instructions avant l'installation peut entraîner des blessures, des dommages matériels ou le bris du produit. Le fabricant se dégage de toute responsabilité à l'égard d'un bris du produit causé par une mauvaise installation.

▲ Specify Finish / Especificque el Acabado / Précisez le Fini

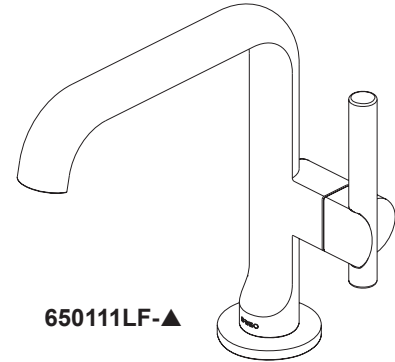
You may need:

Usted puede necesitar:

Articles dont vous pouvez avoir besoin :



650110LF-▲



650111LF-▲

CLEANING AND CARE

Care should be given to the cleaning of this product. Although its finish is extremely durable, it can be damaged by harsh abrasives or polish. To clean, simply wipe gently with a damp cloth and blot dry with a soft towel.

LIMPIEZA Y CUIDADO DE SU LLAVE

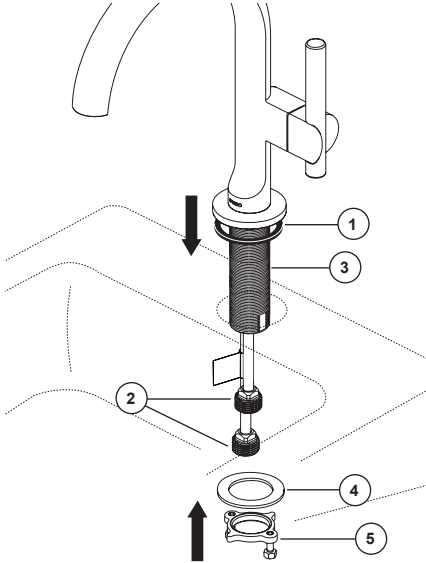
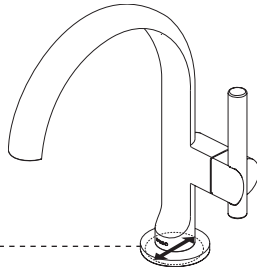
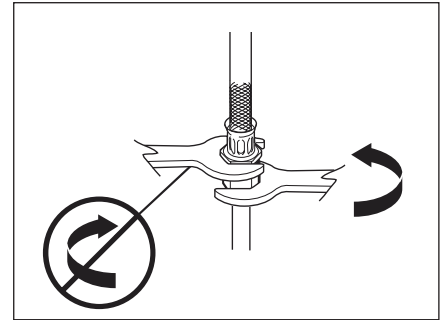
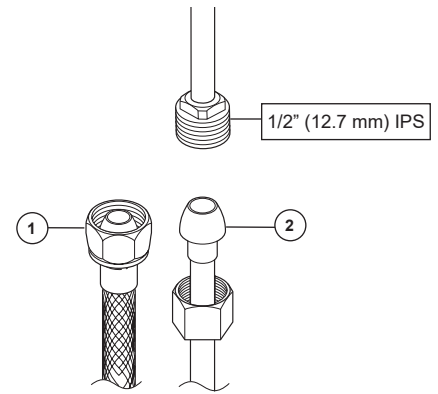
Tenga cuidado al ir a limpiar este producto. Aunque su acabado es sumamente durable, puede ser afectado por agentes de limpieza o para pulir abrasivos. Para limpiar su llave, simplemente frótelas con un trapo húmedo y luego séquela con una toalla suave.

INSTRUCTIONS DE NETTOYAGE

Il faut le nettoyer avec soin. Même si son fini est extrêmement durable, il peut être abîmé par des produits fortement abrasifs ou des produits de polissage. Il faut simplement le frotter doucement avec un chiffon humide et le sécher à l'aide d'un chiffon doux.

1

1 1/8" (29.5mm)
1 1/8 po
Diameter Hole

**2**

Lavatory Faucet Installation

Note: When drilling a new hole, 1 1/8" is recommended. Slide gasket (1) up over tubes (2) and mounting shank (3) and seat onto bottom of faucet. Place tubes and mounting shank through mounting hole and position faucet on sink. **Option: If surface of sink is uneven, use silicone sealant under the spout base or gasket.** Place metal bracket (4) over mounting shank (3) under sink. Secure with mounting nut (5), hand tighten nut, next tighten the two screws securely but do not overtighten.

MAKE CONNECTIONS TO WATER LINES:

Choose hook-ups for 1/2" IPS connection.
(1) 1/2" IPS faucet connector
(2) 3/8" O.D. tubing ball-nose risers.

Use two wrenches when tightening. Do not overtighten.

Instalación de la llave de Agua para Lavamanos

Nota: Cuando perforo un orificio nuevo, se recomienda 1 1/8". Deslice el empaque (1) por los tubos (2) y el caña de instalación (3) y colóquelo en la parte inferior de la llave de agua. Coloque los tubos y el caña de instalación por el orificio de instalación y coloque la llave de agua en el lavamanos. **Opción: Si la superficie del lavabo es irregular, utilice el sellador de silicona por debajo de la base del surtidor o la junta.** Coloque el soporte de metal (4) sobre el caña de instalación (3) por debajo del lavamanos. Asegúrelo con la tuerca de montaje (5), apriete la tuerca a mano, luego apriete los dos tornillos de forma segura pero no apriete demasiado.

HAGA LAS CONEXIONES A LAS LÍNEAS DE AGUA:

Elija conexiones para conexiones IPS de 1/2".
(1) conector de grifo IPS de 1/2"
(2) 3/8" O.D. tubos risers nariz de bola.

Utilice dos llaves de tuercas cuando apriete. No apriete demasiado.

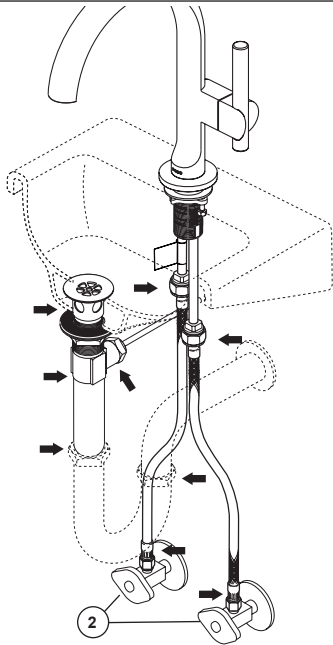
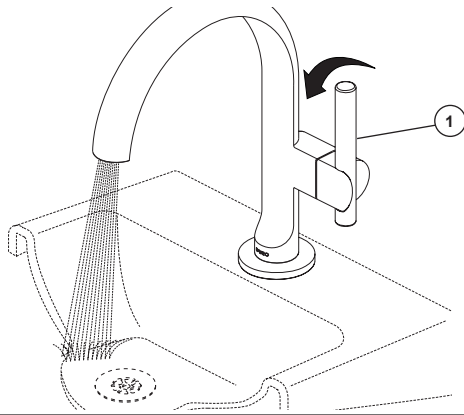
Installation du robinet de lavabo

Note : Si vous devez percer un nouveau trou, un diamètre de 1 1/8 po est recommandé. Glissez le joint (1) sur les tubes (2) et le jarret de montage (3) et appuyez-le contre le dessous du robinet. Introduisez les tubes et le jarret de montage dans le trou de montage, puis positionnez le robinet sur l'appareil sanitaire. **Facultatif : Utilisez un scellant à la silicone sous la base ou le joint du bec si la surface de l'évier est inégale.** Placez le support en métal (4) sur le jarret de montage (3) sous l'appareil sanitaire. Fixez avec l'écrou de montage (5), serrez l'écrou à la main, serrez ensuite fermement les deux vis mais ne serrez pas trop.

RACCORDEZ LES TUYAUX D'EAU CHAUDE ET D'EAU FROIDE.

Choisissez des raccords pour une connexion IPS 1/2".
(1) Connecteur de robinet IPS 1/2"
(2) 3/8" O.D. éleveurs tubulaires à boule.

Utilisez deux clés pour serrer les raccords. Prenez garde de trop serrer.

3**Check for Leaks**

Turn faucet handle (1) all the way on. Turn on hot and cold water supplies (2) and flush water lines for one minute.

Check all connections at arrows for leaks. Retighten if necessary, but do not overtighten.

Comprobar si hay fugas

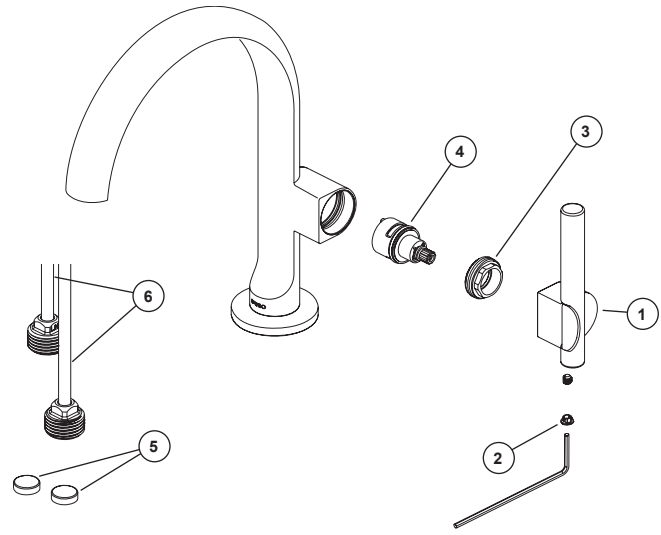
Gire las manijas de la llave (1) completamente a la posición abierta. Abra los suministros de agua caliente y fría (2).

Examine todas las conexiones donde señalan las flechas por si hay filtraciones de agua. Apriete de nuevo si es necesario, pero no apriete demasiado.

Vérifier l'étanchéité

Tournez les poignées (1) du robinet pour ouvrir celui-ci complètement. Rétablissez l'alimentation en eau chaude et en eau froide (2).

Vérifiez l'étanchéité de tous les raccords identifiés par une flèche. Resserrez les raccords au besoin, mais prenez garde de trop les serrer.

**MAINTENANCE****If faucet leaks from under handle:**

Remove cap (2), loosen screw, and remove handle (1). Ensure bonnet nut (3) is tight. If leak continues, replace valve cartridge (4).

If faucet leaks from spout outlet:**SHUT OFF WATER SUPPLIES.**

Replace valve cartridge (4).

If water flow from the faucet reduces over time, the supply strainers may have become partially blocked. To clean: SHUT OFF WATER SUPPLIES.

- A. Disconnect inlets (6) from supply lines.
- B. Remove screens (5) from inlets, remove any debris from screens (5) and reinstall.
- C. Reinstall in reverse order.
- D. Turn on handle and check spout flow.

MANTENIMIENTO**Si la llave de agua/grifo tiene fugas por debajo de la manija:**

Retire la tapa (2), afloje el tornillo y retire la manija (1). Asegúrese de que la tuerca tapa (3) esté apretada. Si la fuga continúa, reemplace el cartucho de la válvula (4).

Si el agua se filtra desde la boca del surtidor de la llave de agua:**CIERRE LOS SUMINISTROS DE AGUA.**

Reemplace la válvula de cartucho (4).

Si el caudal del grifo disminuye con el tiempo, es posible que los filtros de suministro estén parcialmente obstruidos. Para limpiar: CIERRE EL SUMINISTRO DE AGUA.

- A. Desconecte las líneas de tubo (6) de las líneas de suministro.
- B. Retire (5) las líneas de tuberías, elimine cualquier residuo de los filtros (5) y vuelva a instalar.
- C. Vuelva a instalar en orden inverso.

MAINTENANCE**Si le robinet fuit sous la manette :**

Enlevez la capuchon (2), desserrez la vis et retirez la poignée (1). Assurez-vous que l'écrou-chapeau (3) est bien serré. Si la fuite persiste, remplacez la cartouche de valve (4).

Si le robinet fuit par la sortie du bec :**FERMEZ LES ROBINETS D'ALIMENTATION.**

Remplacez la cartouche de soupape (4).

Si le débit d'eau du robinet diminue au fil du temps, le ou les tamis d'alimentation peuvent être partiellement obstrués. Pour les nettoyer : FERMEZ LES ROBINETS D'ALIMENTATION.

- A. Débranchez les tubes (6) des tuyaux d'alimentation.
- B. Retirez les tamis (5) des tubes, nettoyez-les (5) et reposez-les.
- C. Reposez les pièces dans l'ordre inverse à celui de leur dépose.
- D. Tournez la manette et vérifiez le débit à la sortie du bec.

Limited Warranty on Brizo® Faucets

Parts and Finish: All parts (other than electronic parts, air switch power modules, batteries, and parts not supplied by Brizo Kitchen and Bath Company) and finishes (other than uncoated and living finishes) of Brizo® faucets purchased from authorized Brizo sellers are warranted to the original consumer purchaser to be free from defects in material and workmanship for as long as the original consumer purchaser owns the home in which the faucet was first installed. For commercial purchasers, (a) the warranty period is ten (10) years for multi-family residential applications and (b) five (5) years for all other commercial uses, in each case from the date that the product is received by the original purchaser or their authorized representative (installation contractor, etc.). For purposes of this warranty, the term "multi-family residential application" refers to the purchase of the faucet from an authorized Brizo seller by a purchaser who owns but does not live in the residential dwelling in which the faucet is initially installed, such as in a rented or leased single unit or multi-unit detached home (duplex or townhome), or a condominium, apartment building or community living center. The following installations are not considered multi-family residential applications, are excluded from the 10-year warranty, and are subject to the 5-year warranty: industrial, institutional or other business premises, such as a dormitory, hospitality premises (hotel, motel, or extended stay location), airport, educational facility, long- or short-term healthcare facility (hospital, rehabilitation center, nursing, assisted or staged-care living unit), public space or common area.

Uncoated and Living Finishes: Uncoated and Living Finishes will naturally change over time. Living and uncoated finishes are not warranted.

Electronic Parts and Batteries (if applicable): Electronic parts (other than air switch power modules and batteries), if any, in Brizo® faucets purchased from authorized Brizo sellers are warranted to the original consumer purchaser to be free from defects in material and workmanship for five (5) years from the date that the product is received by the original consumer purchaser or their authorized representative (installation contractor, etc.) or, for commercial users, for one (1) year from the date that the product is received by the original commercial purchaser or their authorized representative (installation contractor, etc.). No warranty is provided on batteries.

Air Switch Power Module: The electronic power module of Brizo® air switches purchased from authorized Brizo sellers is warranted to the original consumer purchaser to be free from defects in material and workmanship for two (2) years from the date that the product is received by the original consumer purchaser or their authorized representative (installation contractor, etc.) or, for commercial users, for one (1) year from the date that the product is received by the original commercial purchaser or their authorized representative (installation contractor, etc.).

What We Will Do: Brizo Kitchen & Bath Company will repair or replace, free of charge, during the applicable warranty period (as described above), any part or finish that proves defective in material and/or workmanship under normal installation, use, and service. Brizo Kitchen & Bath Company may, in its sole discretion, use new, refurbished or recertified parts or products for such repair or replacement. If repair or replacement is not practical, Brizo Kitchen & Bath Company may elect to refund the purchase price in exchange for the return of the product. **These are your exclusive remedies.**

What Is Not Covered: Because Brizo Kitchen and Bath Company is unable to control the quality of Brizo products sold by unauthorized sellers, unless otherwise prohibited by law, this warranty does not cover Brizo products purchased from unauthorized sellers (visit Brizo.com to see a list of our Authorized Online Resellers).

Any labor charges incurred by the purchaser to repair, replace, install or remove this product are not covered by this warranty. Brizo Kitchen & Bath Company shall not be liable for any damage to the product resulting from reasonable wear and tear, outdoor use (with the exception of products that are specified for outdoor use), misuse (including use of the product for an unintended application), freezing water, abuse, neglect, or improper or incorrectly performed assembly, installation, maintenance or repair, including failure to follow the applicable care and cleaning instructions. Customized components purchased by the consumer or commercial user and installed into a Brizo product, and any damage resulting from removal or improper installation of such components, are not covered by this warranty.

Brizo Kitchen & Bath Company recommends using a professional plumber for all installation and repair of faucets. We also recommend that you use only genuine Brizo® replacement parts.

What You Must Do To Obtain Warranty Service or Replacement Parts: A warranty claim may be made, and replacement parts may be obtained by calling 1-877-345-BRIZO (2749) or by contacting us by mail or online as follows (please include your model number, date of purchase and documentation of the date of receipt of the product by the original purchaser or their authorized representative (installation contractor, etc.):

In the United States and Mexico:

Brizo Kitchen & Bath Company
55 E. 111th Street
Carmel, IN 46280
Attention: Warranty Service
<https://www.brizo.com/customer-support/contact-us>

In Canada:

Masco Canada Limited, Plumbing Group
Technical Service Centre
350 South Edgeware Road
St. Thomas, Ontario, Canada N5P 4L1
<https://www.brizo.com/customer-support/contact-us>

Proof of purchase (original sales receipt showing purchase date) and documentation of the date of receipt of the product by the original purchaser or their authorized representative (installation contractor, etc.) must be made available to Brizo Kitchen & Bath Company for all warranty claims unless the purchaser has registered the product with Brizo Kitchen & Bath Company. This warranty applies only to Brizo® faucets installed in the United States of America, Canada, and Mexico.

Limitation on Duration of Implied Warranties: Please note that some states/provinces (including Quebec) do not allow limitations on how long an implied warranty lasts, so the below limitations may not apply to you. TO THE MAXIMUM EXTENT PERMITTED BY APPLICABLE LAW, ANY IMPLIED WARRANTY, INCLUDING THE IMPLIED WARRANTIES OF MERCHANTABILITY AND OF FITNESS FOR A PARTICULAR PURPOSE, IS LIMITED TO THE STATUTORY PERIOD OR THE DURATION OF THIS WARRANTY, WHICHEVER IS SHORTER.

Limitation of Special, Incidental or Consequential Damages: Please note that some states/provinces (including Quebec) do not allow the exclusion or limitation of special, incidental, or consequential damages, so the below limitations and exclusions may not apply to you. TO THE MAXIMUM EXTENT PERMITTED BY APPLICABLE LAW, THIS WARRANTY DOES NOT COVER, AND BRIZO KITCHEN & BATH COMPANY SHALL NOT BE LIABLE FOR ANY SPECIAL, INCIDENTAL, OR CONSEQUENTIAL DAMAGES (INCLUDING LABOR CHARGES TO REPAIR, REPLACE, INSTALL OR REMOVE THIS PRODUCT), WHETHER ARISING OUT OF BREACH OF ANY EXPRESS OR IMPLIED WARRANTY, BREACH OF CONTRACT, TORT, OR OTHERWISE. BRIZO KITCHEN & BATH COMPANY SHALL NOT BE LIABLE FOR ANY DAMAGE TO THE FAUCET RESULTING FROM REASONABLE WEAR AND TEAR, OUTDOOR USE (WITH THE EXCEPTION OF PRODUCTS SPECIFIED FOR OUTDOOR USE), MISUSE (INCLUDING USE OF THE PRODUCT FOR AN UNINTENDED APPLICATION, FREEZING WATER, ABUSE, NEGLECT OR IMPROPER OR INCORRECTLY PERFORMED ASSEMBLY, INSTALLATION, MAINTENANCE OR REPAIR, INCLUDING FAILURE TO FOLLOW THE APPLICABLE INSTALLATION, CARE AND CLEANING INSTRUCTIONS. Notice to residents of the State of New Jersey: The provisions of this warranty, including its limitations, are intended to apply to the fullest extent permitted by the laws of the State of New Jersey.

Additional Rights: This warranty gives you specific legal rights, and you may also have other rights which vary from state/province to state/province.

This is Brizo Kitchen & Bath Company's exclusive written warranty, and the warranty is not transferable.

If you have any questions or concerns regarding our warranty, please contact us as provided above or visit our website at www.brizo.com.

Garantía limitada de las llaves de agua/grifos Brizo®

Piezas y acabado: Todas las piezas (excepto las piezas electrónicas, los módulos de alimentación por interruptor de aire, las baterías y las piezas no suministradas por Brizo Kitchen & Bath Company) y los acabados (excepto los acabados sin recubrimiento y los acabados vivos) de los grifos Brizo® comprados a vendedores autorizados de Brizo están garantizados al comprador consumidor original contra defectos de material y mano de obra durante el tiempo que el comprador consumidor original sea propietario de la casa en la que se instaló el grifo por primera vez. Para los compradores comerciales, (a) el período de garantía es de diez (10) años para aplicaciones residenciales multifamiliares y (b) de cinco (5) años para todos los demás usos comerciales, en cada caso a partir de la fecha en que el producto es recibido por el comprador original o su representante autorizado (contratista de instalación, etc.). A efectos de esta garantía, el término "aplicación residencial multifamiliar" hace referencia a la compra del grifo a un vendedor autorizado de Brizo por parte de un comprador que posee pero no vive en la vivienda residencial en la que está instalado originalmente el grifo; por ejemplo, en una unidad individual alquilada o arrendada, o una casa independiente de varias unidades (dúplex o casa adosada), o un condominio, edificio de apartamentos o centro de viviendas comunitarias. Las siguientes instalaciones no se consideran aplicaciones residenciales multifamiliares, están excluidas de la garantía de 10 años y están sujetas a la garantía de 5 años: establecimientos industriales, institucionales o comerciales de otro tipo, como una residencia; establecimientos de hotelería (hotel, motel o lugares para estancias prolongadas), aeropuertos, establecimientos educativos, establecimientos de atención médica a corto o largo plazo (hospital, centro de rehabilitación, centro de enfermería, unidad de vivienda con atención escalonada o asistida), espacios públicos o áreas comunes.

Acabados sin recubrimiento y vivos: Por naturaleza, los acabados sin recubrimiento y vivos cambiarán con el tiempo. Los acabados sin recubrimiento y vivos no tienen garantía.

Piezas electrónicas y baterías (si corresponde): Las piezas electrónicas (excepto los módulos de alimentación por interruptor de aire y las baterías), si las hay, en los grifos Brizo® comprados a vendedores autorizados de Brizo están garantizadas al comprador consumidor original contra defectos de material y mano de obra durante cinco (5) años a partir de la fecha en que el producto es recibido por el comprador consumidor original o su representante autorizado (contratista de instalación, etc.) o, a los usuarios comerciales, durante un (1) año a partir de la fecha en que el producto es recibido por el comprador comercial original o su representante autorizado (contratista de instalación, etc.). No se ofrece garantía por las baterías.

Módulo de alimentación por interruptor de aire: El módulo de alimentación electrónica de los interruptores de aire de Brizo® comprados a vendedores autorizados de Brizo está garantizado al comprador consumidor original contra defectos de material y mano de obra durante dos (2) años a partir de la fecha en que el producto es recibido por el comprador consumidor original o su representante autorizado (contratista de instalación, etc.) o, a los usuarios comerciales, durante un (1) año a partir de la fecha en que el producto es recibido por el comprador comercial original o su representante autorizado (contratista de instalación, etc.).

Lo que haremos: Brizo Kitchen & Bath Company reparará o reemplazará, sin cargo, durante el período de garantía correspondiente (como se describió anteriormente), toda pieza o acabado que resulte defectuoso en material o mano de obra en condiciones normales de instalación, uso y servicio. Brizo Kitchen & Bath Company puede, a su exclusivo criterio, utilizar piezas o productos nuevos, reacondicionados o recertificados para dicha reparación o reemplazo. Si la reparación o el reemplazo no es práctico, Brizo Kitchen & Bath Company puede optar por reembolsar el precio de compra a cambio de la devolución del producto. **Estas son las acciones que le corresponden.**

Lo que no cubre la garantía: Debido a que Brizo Kitchen & Bath Company no puede controlar la calidad de los productos Brizo vendidos por vendedores no autorizados, a menos que la ley lo prohíba, esta garantía no cubre los productos Brizo comprados a vendedores no autorizados (visite Brizo.com para ver una lista de nuestros revendedores autorizados en línea). Cualquier cargo de mano de obra incurrido por el comprador para reparar, reemplazar, instalar o retirar este producto no está cubierto por esta garantía. Brizo Kitchen & Bath Company no será responsable de los daños ocasionados en el producto a causa del desgaste razonable, el uso en exteriores (a excepción de los productos especificados para usarse en exteriores); el uso indebido (incluido el uso del producto para una aplicación no prevista), agua congelada, abuso, negligencia, montaje, instalación, mantenimiento o reparación realizados de manera inadecuada o incorrecta, incluido el incumplimiento de las instrucciones correspondientes de cuidado y limpieza. Los componentes personalizados comprados por el consumidor o un usuario comercial e instalados en un producto Brizo, y todo daño causado por la extracción o la instalación incorrecta de dichos componentes no están cubiertos por esta garantía.

Brizo Kitchen & Bath Company recomienda recurrir a un plomero profesional para todas las instalaciones y reparaciones de los grifos. También le recomendamos que utilice únicamente piezas de repuesto originales Brizo®.

Qué debe hacer para obtener servicio de garantía o piezas de repuesto: Se puede realizar un reclamo de garantía y obtener piezas de repuesto llamando al 1-877-345-BRIZO (2749) o comunicándose con nosotros por correo o en línea de la siguiente manera (incluya su número de modelo, la fecha de compra y la documentación de la fecha de recepción del producto por el comprador original o su representante autorizado [contratista de instalación, etc.]):

En los Estados Unidos y México:

Brizo Kitchen & Bath Company
55 E. 111th Street
Carmel, IN 46280
Attention: Warranty Service
<https://www.brizo.com/customer-support/contact-us>

En Canadá:

Masco Canada Limited, Plumbing Group
Technical Service Centre
350 South Edgeware Road
St. Thomas, Ontario, Canadá N5P 4L1
<https://www.brizo.com/customer-support/contact-us>

El comprobante de compra (recibo de venta original que muestra la fecha de compra) y la documentación de la fecha de recepción del producto por parte del comprador original o su representante autorizado (contratista de instalación, etc.) se deben poner a disposición de Brizo Kitchen & Bath Company para todos los reclamos de garantía, a menos que el comprador haya registrado el producto con Brizo Kitchen & Bath Company. Esta garantía se aplica únicamente a los grifos Brizo® instalados en los Estados Unidos de América, Canadá y México.

Limitación de la duración de las garantías implícitas: Tenga en cuenta que algunos estados o provincias (incluido Quebec) no permiten limitaciones en cuanto a la duración de una garantía implícita, por lo que es posible que las limitaciones que se indican a continuación no se apliquen en su caso. EN LA MEDIDA MÁXIMA QUE PERMITA LA LEY VIGENTE, CUALQUIER GARANTÍA IMPLÍCITA, INCLUIDAS LAS GARANTÍAS IMPLÍCITAS DE COMERCIABILIDAD E IDONEIDAD PARA UN FIN DETERMINADO, SE LIMITA AL PERÍODO LEGAL O A LA DURACIÓN DE ESTA GARANTÍA, EL QUE SEA MENOR.

Limitación de daños especiales, incidentales o consecuentes: Tenga en cuenta que algunos estados o provincias (incluido Quebec) no permiten la exclusión o limitación de daños especiales, incidentales o consecuentes, por lo que es posible que las limitaciones y exclusiones que figuran a continuación no se apliquen en su caso. EN LA MEDIDA MÁXIMA PERMITIDA POR LA LEY VIGENTE, ESTA GARANTÍA NO CUBRE, Y BRIZO KITCHEN & BATH COMPANY NO SERÁ RESPONSABLE DE NINGÚN DAÑO ESPECIAL, INCIDENTAL O CONSECUENTE (INCLUIDOS LOS GASTOS DE MANO DE OBRA PARA REPARAR, REEMPLAZAR, INSTALAR O RETIRAR ESTE PRODUCTO), YA SEA QUE SURJA DEL INCUMPLIMIENTO DE CUALQUIER GARANTÍA EXPRESA O IMPLÍCITA, EL INCUMPLIMIENTO DE CONTRATO, AGRAVIO O DE OTRA MANERA. BRIZO KITCHEN & BATH COMPANY NO SERÁ RESPONSABLE DE LOS DAÑOS OCASIONADOS EN EL GRIFO A CAUSA DEL DESGASTE RAZONABLE, EL USO EN EXTERIORES (A EXCEPCIÓN DE LOS PRODUCTOS ESPECIFICADOS PARA USARSE EN EXTERIORES), EL USO INDEBIDO (INCLUIDO EL USO DEL PRODUCTO PARA UNA APLICACIÓN NO PREVISTA), AGUA CONGELADA, ABUSO, NEGLIGENCIA O MONTAJE, INSTALACIÓN, MANTENIMIENTO O REPARACIÓN REALIZADOS DE MANERA INADECUADA O INCORRECTA, INCLUIDO EL INCUMPLIMIENTO DE LAS INSTRUCCIONES CORRESPONDIENTES DE INSTALACIÓN, CUIDADO Y LIMPIEZA. Aviso a los residentes del estado de Nueva Jersey: Las disposiciones de esta garantía, incluidas sus limitaciones, deben aplicarse en la medida máxima que lo permitan las leyes del estado de Nueva Jersey.

Otros derechos: Esta garantía le otorga derechos legales específicos, y usted también puede tener otros derechos que varían de un estado o provincia a otro.

Esta es la garantía escrita exclusiva de Brizo Kitchen & Bath Company, y la garantía no es transferible.

Si tiene alguna pregunta o inquietud sobre nuestra garantía, comuníquese con nosotros como se indicó anteriormente o visite nuestro sitio web en www.brizo.com.

Garantie limitée des robinets Brizo®

Pièces et finitions: Toutes les pièces (autres que les pièces électroniques, les modules d'alimentation des commutateurs de débit d'air, les piles et les pièces non fournies par Brizo Kitchen and Bath Company) et les finitions (autres que les finitions non revêtues et les finitions vivantes) des robinets Brizo® achetés auprès de vendeurs Brizo autorisés sont garanties à l'acheteur d'origine comme étant exemptes de défauts de matériaux et de fabrication tant que l'acheteur d'origine est propriétaire de la maison dans laquelle le robinet a été installé initialement. Pour les acheteurs commerciaux, (a) la période de garantie est de dix (10) ans pour les applications résidentielles multifamiliales et (b) de cinq (5) ans pour toutes les autres utilisations commerciales, dans chaque cas à compter de la date de réception du produit par l'acheteur d'origine ou son représentant autorisé (entrepreneur chargé de l'installation, etc.). Aux fins de la présente garantie, le terme « application résidentielle multifamiliale » fait référence à l'achat du robinet auprès d'un vendeur Brizo autorisé par un acheteur qui possède mais ne vit pas dans l'habitation résidentielle dans laquelle le robinet est initialement installé, par exemple, dans une maison unifamiliale ou un immeuble individuel à logements multiples (duplex ou maison en rangée) en location avec ou sans bail, ou un condominium, un immeuble d'appartements ou un centre d'habitation communautaire. Les installations suivantes, qui ne sont pas considérées comme des applications résidentielles multifamiliales, sont exclues de la garantie de dix ans et sont soumises à la garantie de cinq ans : les locaux industriels, institutionnels ou autres locaux commerciaux, tels que les dortoirs, les centres d'accueil (hôtels, motels ou établissements de séjour prolongé), les aéroports, les établissements d'enseignement, les établissements de soins de santé de longue ou de courte durée (hôpitaux, centres de réadaptation, unités de soins infirmiers, unités de résidence assistée ou de soins échelonnés), les espaces publics ou les aires communes.

Finitions vivantes et non revêtues: Les finitions vivantes et non revêtues se dégradent naturellement avec le temps. Les finitions vivantes et non revêtues ne sont pas couvertes par la garantie.

Pièces électroniques et piles (le cas échéant): Les pièces électroniques (autres que les modules d'alimentation des commutateurs de débit d'air et les piles), le cas échéant, des robinets Brizo® achetés auprès de vendeurs Brizo autorisés sont garanties à l'acheteur d'origine contre les défauts de matériaux et de fabrication pendant cinq (5) ans à compter de la date de réception du produit par l'acheteur d'origine ou son représentant autorisé (entrepreneur chargé de l'installation, etc.) ou, pour les utilisateurs commerciaux, pendant un (1) an à compter de la date de réception du produit par l'acheteur commercial d'origine ou son représentant autorisé (entrepreneur chargé de l'installation, etc.). Aucune garantie n'est fournie sur les piles.

Modules d'alimentation des commutateurs de débit d'air: Le module d'alimentation électronique des commutateurs de débit d'air Brizo® achetés auprès de vendeurs Brizo autorisés est garanti à l'acheteur d'origine contre tout défaut de matériau et de fabrication pendant deux (2) ans à compter de la date de réception du produit par l'acheteur d'origine ou son représentant autorisé (entrepreneur chargé de l'installation, etc.) ou, pour les utilisateurs commerciaux, pendant un (1) an à compter de la date de réception du produit par l'acheteur commercial d'origine ou son représentant autorisé (entrepreneur chargé de l'installation, etc.).

Ce que nous ferons: Brizo Kitchen & Bath Company réparera ou remplacera gratuitement, pendant la période de garantie applicable (telle que décrite ci-dessus), toute pièce ou finition présentant un défaut de matériau et/ou de fabrication dans des conditions normales d'installation, d'utilisation et d'entretien. Brizo Kitchen & Bath Company peut, à sa seule discrétion, utiliser des pièces ou des produits neufs, remis à neuf ou recertifiés à des fins de réparation ou de remplacement. Si la réparation ou le remplacement n'est pas possible, Brizo Kitchen & Bath Company peut décider de rembourser le prix d'achat en échange du retour du produit. **Il s'agit de vos recours exclusifs.**

Ce qui n'est pas couvert: Brizo Kitchen and Bath Company étant dans l'impossibilité de contrôler la qualité des produits Brizo vendus par des vendeurs non autorisés, la présente garantie ne couvre pas les produits Brizo achetés auprès de vendeurs non autorisés, à moins que la loi ne l'interdise (visitez Brizo.com pour voir la liste de nos revendeurs en ligne autorisés). Les frais de main-d'œuvre encourus par l'acheteur pour la réparation, le remplacement, l'installation ou le retrait de ce produit ne sont pas couverts par la présente garantie. Brizo Kitchen & Bath Company n'est pas responsable des dommages au produit résultant d'une usure raisonnable, d'une utilisation à l'extérieur (à l'exception des produits spécialement conçus pour une utilisation à l'extérieur), d'une mauvaise utilisation (y compris l'utilisation du produit pour une application non prévue), du gel de l'eau, d'un abus, d'une négligence ou d'un assemblage, d'une installation, d'un entretien ou d'une réparation incorrecte ou mal effectuée, y compris le non-respect des instructions d'entretien et de nettoyage applicables. Les composants personnalisés achetés par le consommateur ou l'utilisateur commercial et installés dans un produit Brizo, ainsi que tout dommage résultant du retrait ou de l'installation incorrecte de ces composants, ne sont pas couverts par la présente garantie.

Brizo Kitchen & Bath Company recommande de faire appel à un plombier professionnel pour l'installation et la réparation des robinets. Nous vous recommandons également de n'utiliser que des pièces de rechange Brizo® d'origine.

Ce que vous devez faire pour obtenir des pièces de rechange ou un service au titre de la garantie: Une réclamation au titre de la garantie peut être effectuée et des pièces de rechange peuvent être obtenues en appelant au 1-877-345-BRIZO (2749) ou en nous contactant par la poste ou en ligne comme suit (veuillez inclure le numéro de votre modèle, la date d'achat et un document montrant la date de réception du produit par l'acheteur d'origine ou son représentant autorisé (entrepreneur chargé de l'installation, etc.) :

Aux États-Unis et au Mexique :

Brizo Kitchen & Bath Company
55 E. 111th Street
Carmel, IN 46280
À l'attention de : Service de garantie
<https://www.brizo.com/customer-support/contact-us>

Au Canada :

Masco Canada Limited, Plumbing Group
Centre de service technique
350 South Edgeware Road
St. Thomas (Ontario) N5P 4L1 Canada
<https://www.brizo.com/customer-support/contact-us>

Une preuve d'achat (reçu de vente original indiquant la date d'achat) et un document montrant la date de réception du produit par l'acheteur d'origine ou son représentant autorisé (entrepreneur chargé de l'installation, etc.) doit être mis à la disposition de Brizo Kitchen & Bath Company pour toute réclamation au titre de la garantie, à moins que l'acheteur n'ait enregistré le produit auprès de Brizo Kitchen & Bath Company. La présente garantie s'applique uniquement aux robinets Brizo® installés au Canada, aux États-Unis d'Amérique et au Mexique.

Limitation de la durée des garanties implicites: Veuillez noter que certains États/provinces (y compris le Québec) n'autorisent pas de limitations sur la durée d'une garantie implicite, de sorte que les limitations ci-dessous peuvent ne pas s'appliquer à vous. **DANS TOUTE LA MESURE PERMISE PAR LA LÉGISLATION APPLICABLE, TOUTE GARANTIE IMPLICITE, Y COMPRIS LES GARANTIES IMPLICITES DE QUALITÉ MARCHANDE ET D'ADÉQUATION À UN USAGE PARTICULIER, EST LIMITÉE À LA PÉRIODE LÉGALE OU À LA DURÉE DE LA PRÉSENTE GARANTIE, SELON LA PÉRIODE LA PLUS COURTE.**

Limitation des dommages spéciaux, accessoires ou consécutifs: Veuillez noter que certains États/provinces (y compris le Québec) n'autorisent pas l'exclusion ou la limitation des dommages spéciaux, accessoires ou consécutifs, de sorte que les limitations et exclusions ci-dessous peuvent ne pas s'appliquer à vous. **DANS TOUTE LA MESURE PERMISE PAR LA LÉGISLATION APPLICABLE, LA PRÉSENTE GARANTIE NE COUVRE PAS, ET BRIZO KITCHEN & BATH COMPANY NE SERA PAS RESPONSABLE DES DOMMAGES SPÉCIAUX, ACCESSOIRES OU CONSÉCUTIFS (Y COMPRIS LES FRAIS DE MAIN-D'ŒUVRE POUR RÉPARER, REMPLACER, INSTALLER OU RETIRER CE PRODUIT), QU'ILS DÉCOULENT D'UNE VIOLATION DE TOUTE GARANTIE EXPRESSE OU IMPLICITE, D'UNE RUPTURE DE CONTRAT, D'UN DÉLIT CIVIL OU AUTRE. BRIZO KITCHEN & BATH COMPANY NE SERA PAS RESPONSABLE DE TOUT DOMMAGE AU ROBINET RÉSULTANT D'UNE USURE RAISONNABLE, D'UNE UTILISATION À L'EXTÉRIEUR (À L'EXCEPTION DES PRODUITS SPÉCIALEMENT CONÇUS POUR UNE UTILISATION À L'EXTÉRIEUR), D'UNE MAUVAISE UTILISATION (Y COMPRIS L'UTILISATION DU PRODUIT POUR UNE APPLICATION NON PRÉVUE, DU GEL DE L'EAU, D'UN ABUS, D'UNE NÉGLIGENCE OU D'UN ASSEMBLAGE, D'UNE INSTALLATION, D'UN ENTRETIEN OU D'UNE RÉPARATION INCORRECTE OU MAL EFFECTUÉE, Y COMPRIS LE NON-RESPECT DES INSTRUCTIONS D'INSTALLATION, D'ENTRETIEN ET DE NETTOYAGE APPLICABLES. Avis aux résidents de l'État du New Jersey : Les dispositions de la présente garantie, y compris ses limitations, sont destinées à s'appliquer dans toute la mesure permise par les lois de l'État du New Jersey.**

Droits supplémentaires: La présente garantie vous confère des droits légaux spécifiques. En outre, vous pouvez bénéficier d'autres droits qui varient d'un État ou d'une province à l'autre.

Ceci est la garantie écrite exclusive de Brizo Kitchen & Bath Company. Cette garantie n'est pas transférable.

Si vous avez des questions ou des préoccupations concernant notre garantie, veuillez nous contacter comme indiqué ci-dessus ou visiter notre site Web à l'adresse suivante : www.brizo.com.